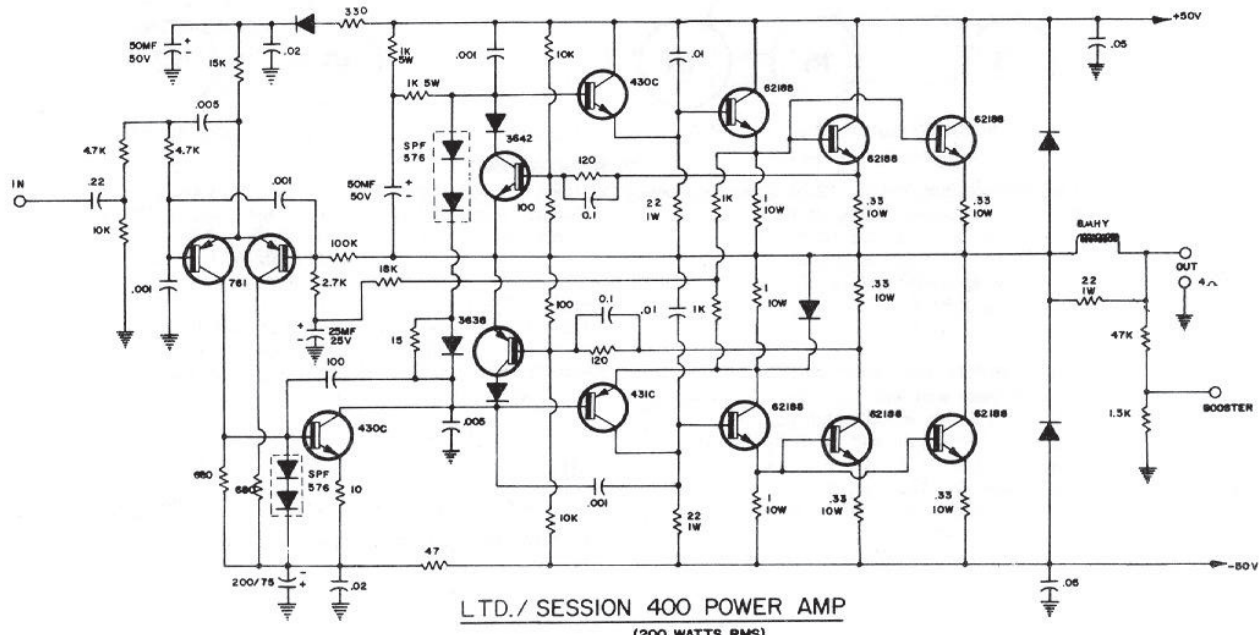


NOTE
 ALL TRANSISTORS 5P5 953 UNLESS NOTED
 ALL RESISTORS 1/2W UNLESS NOTED
 ALL CAPACITORS IN MFD UNLESS NOTED
 ALL DIODES 1A 200V PIV UNLESS NOTED

LTD./SESSION 400 PREAMP



LTD./SESSION 400 POWER AMP
 (200 WATTS RMS)