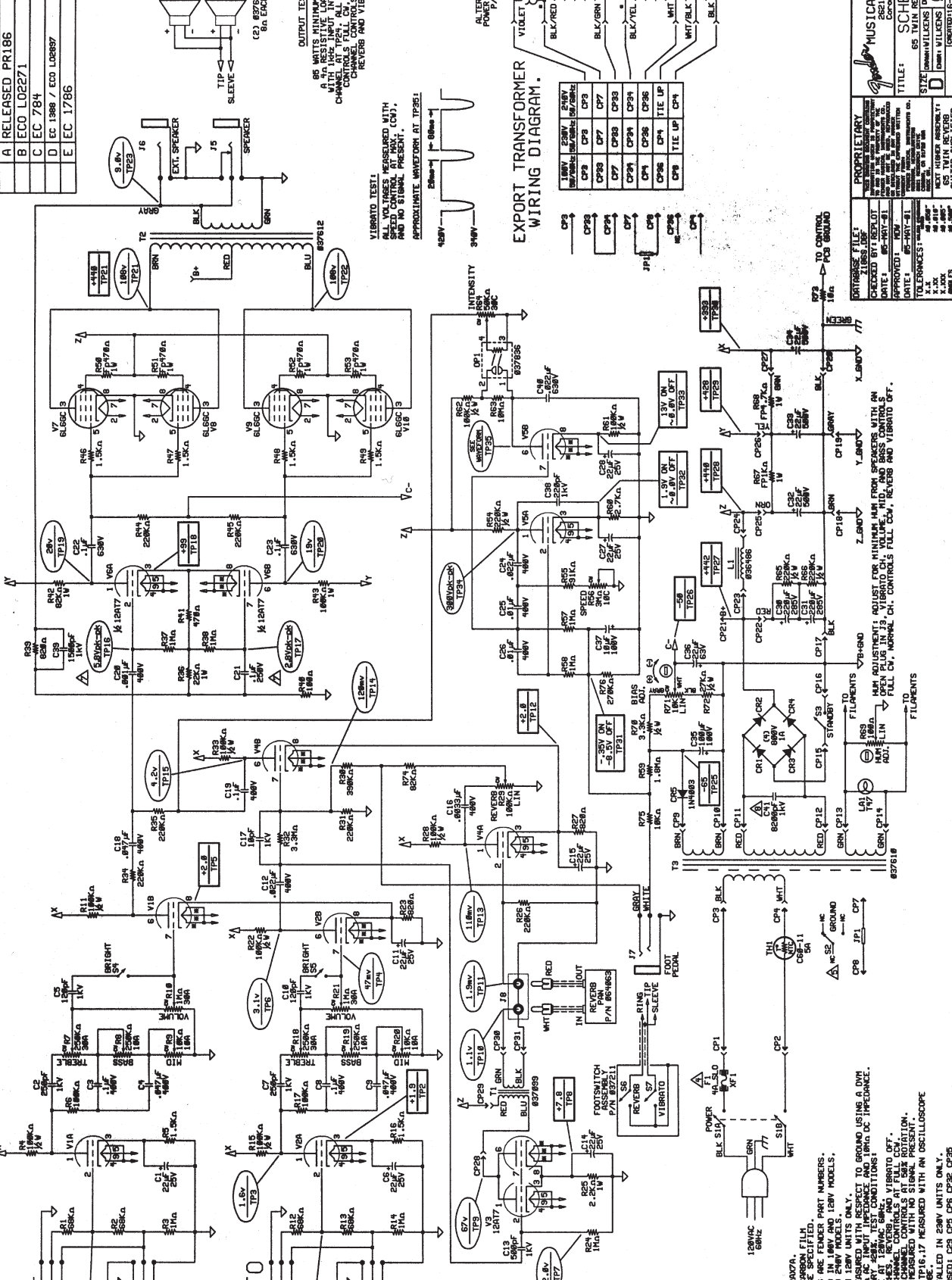


REV.	DESCRIPTION	DATE	APPROVED
A	RELEASED PR186	06-09-81	
B	ECO L02271	08-11-81	
C	EC 784	11-SEP-81	
D	EC 1388 / ECO L0887	29-OCT-81	MDW
E	EC 1786	18-OCT-86	MDW



**NORMAL**

**VIBRATO**

**EXPORT WIRING DIAGRAM.**

**EXPORT TRANSFORMER**

**ALTERNATE EXPORT POWER TRANSFORMER P/N #P5181**

**VIBRATO TEST 1**

**OUTPUT TEST 1**

**NOTES:**

- V1, 2, 4, 5 ARE 12AX7A.
- RESISTORS IN Ω BE SPECIFIED.
- RESISTOR VALUES ARE IN OHMS UNLESS OTHERWISE SPECIFIED.
- USE 1/4 SLO-BUILD IN 100V AND 250V MODELS.
- USE 1/2 SLO-BUILD IN 500V AND 1000V MODELS.
- SE INSTALLED IN 120V UNITS ONLY.
- VOLTAGES MAY VARY ±5% AT AT LEAST 100% LINE VOLTAGE AND 100% DC IMPEDANCE.
- BRIGHT SWITCHES, REVERSE, AND VIBRATO OFF.
- ALL VIBRATO CHANNEL CONTROLS AT FULL DETAIL.
- DC VOLTAGES MEASURED WITH NO SIGNAL.
- AC VOLTAGES AT TP16, 17 MEASURED WITH AN OSCILLOSCOPE.
- 500KΩ CAP INSTALLED IN 250V UNITS ONLY.
- INSTANCES NOT USED: C23 CP5 CP6 CP22 CP26

**VIBRATO TEST 1**

APPROXIMATE WAVEFORM AT TP26:

APPROXIMATE WAVEFORM AT TP26:

APPROXIMATE WAVEFORM AT TP26:

**OUTPUT TEST 1**

86 WATTS MINIMUM RMS INTO 16Ω WITH 100% LINE VOLTAGE AND 100% DC IMPEDANCE. CHANNEL CONTROLS FULL CW. ALL VIBRATO CHANNEL CONTROLS FULL CW. REVERSE AND VIBRATO OFF.

**EXPORT TRANSFORMER**

ALTERNATE EXPORT POWER TRANSFORMER P/N #P5181

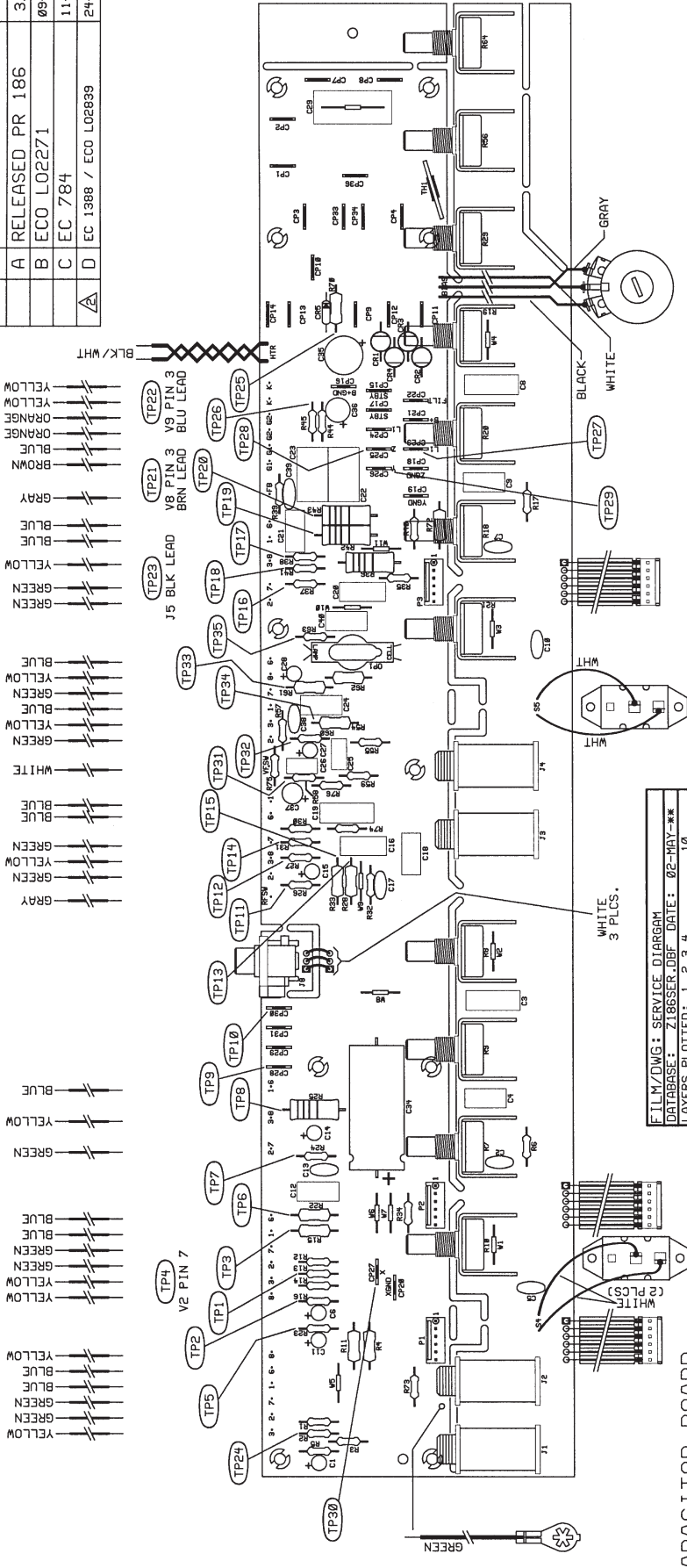
EXPORT WIRING DIAGRAM.

**NOTES:**

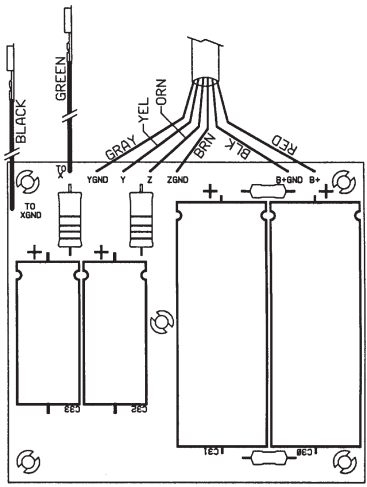
- V1, 2, 4, 5 ARE 12AX7A.
- RESISTORS IN Ω BE SPECIFIED.
- RESISTOR VALUES ARE IN OHMS UNLESS OTHERWISE SPECIFIED.
- USE 1/4 SLO-BUILD IN 100V AND 250V MODELS.
- USE 1/2 SLO-BUILD IN 500V AND 1000V MODELS.
- SE INSTALLED IN 120V UNITS ONLY.
- VOLTAGES MAY VARY ±5% AT AT LEAST 100% LINE VOLTAGE AND 100% DC IMPEDANCE.
- BRIGHT SWITCHES, REVERSE, AND VIBRATO OFF.
- ALL VIBRATO CHANNEL CONTROLS AT FULL DETAIL.
- DC VOLTAGES MEASURED WITH NO SIGNAL.
- AC VOLTAGES AT TP16, 17 MEASURED WITH AN OSCILLOSCOPE.
- 500KΩ CAP INSTALLED IN 250V UNITS ONLY.
- INSTANCES NOT USED: C23 CP5 CP6 CP22 CP26

6 5 4 3 2 1

REVISIONS				
ZONE	REV.	DESCRIPTION	DATE	APPROVED
	A	RELEASED PR 186	3/8/91	
	B	ECO L02271	09-JUL-91	
	C	EC 784	11-SEP-91	
Δ	D	EC 1388 / ECO L02839	24-JAN-95	<i>AW</i>



FILM/DWG: SERVICE DIAGRAM  
 DATABASE: ZIBGESSER.DBF DATE: 02-MAY-91  
 LAYERS PLOTTED: 1 2 3 4 10 15 18



**PROPRIETARY**  
 INFORMATION WHICH IS PROPRIETARY TO MUSICAL INSTRUMENTS CO. AND MAY NOT BE USED, REPRODUCED OR IN ANY MANNER DISSEMINATED WITHOUT THE EXPRESSED WRITTEN CONSENT OF MUSICAL INSTRUMENTS CO. © 1991 MUSICAL INSTRUMENTS CO. 2821 Research Dr. IVE, Corona, CA 91720 USA

**MUSICAL INSTRUMENTS**  
 2821 Research Dr. IVE  
 Corona, CA 91720 USA

**TITLE: SERVICE DIAGRAM**  
**65 TWIN REVERB**

SIZE: DRAWN: WILKENS DRAWING NUMBER: REV. D  
 ENGR: WILKENS 037632  
 CREATED: 01-NOV-90  
 PLOTTED: 02-MAY-91 SHEET 1 OF 1

SCALE: NONE

**NOTES:**  
 1. PCB SHOWN AS FABRICATED. EXCEPT WITH CAPACITOR BREAK-AWAY BOARD SEPARATED. REV. D REFLECTS THE REMOVAL OF SECONDARY ISOLATION FROM THE BOARD AND THE REMOVAL OF THE LINE BYPASS CAPACITOR IN DOMESTIC UNITS.

**TOLERANCES:** UNLESS OTHERWISE SPECIFIED  
 X.X .010"  
 X.XX .005"  
 X.XXX .0025"  
 ANGLES .500°

**NEXT HIGHER ASSEMBLY:**  
 65 TWIN REVERB  
 GUITAR AMPLIFIER

1 2 3 4 5 6

1 2 3 4 5 6