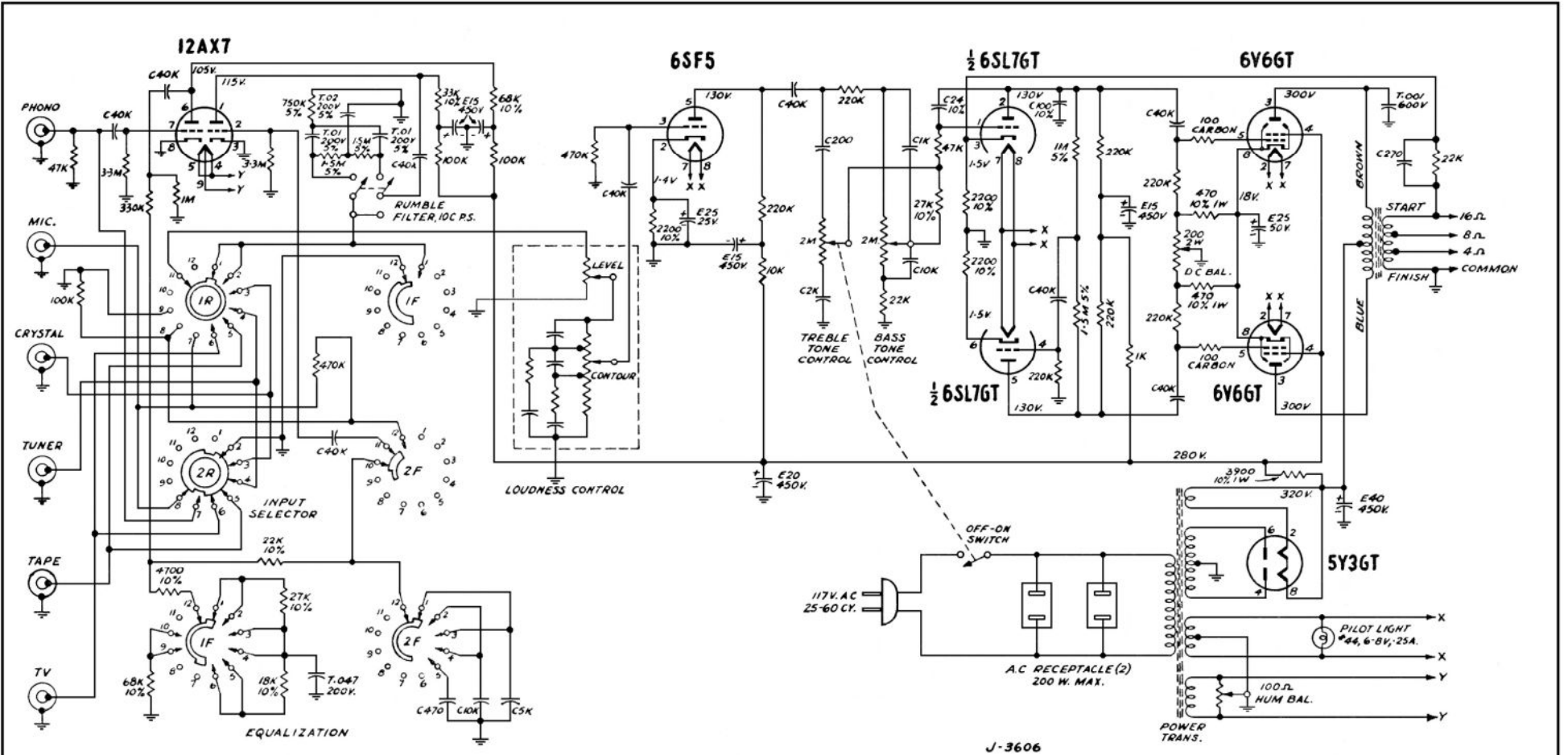


NOTE: 220K. Resistor added, junction of Rumble Filter Switch and C40K Condenser to Ground.



INPUT SELECTOR

- POSITIONS
 1. PHONO.
 2. MIC.
 3. CRYSTAL
 4. TUNER
 5. TAPE
 6. TV.

EQUALIZATION

- POSITIONS
 1. AES
 2. ORTHO.
 3. NARTB
 4. EARLY 78.
 5. FFRR.
 6. FLAT.

COMPONENT VALUES

RESISTORS: HALF WATT, UNLESS OTHERWISE SPECIFIED.
 20% TOLERANCE, UNLESS OTHERWISE SPECIFIED.
 K = 1000 OHMS.
 M = 1,000,000 OHMS.
 CONDENSERS: T = TUBULAR, FOLLOWED BY CAP. IN MFD. AND D.C.W.V.
 E = ELECTROLYTIC, FOLLOWED BY CAP IN MFD. & D.C.W.V.
 C = CERAMIC, FOLLOWED BY CAR. IN MMFD. & TOL. IF CRITICAL.

ALL VOLTAGES MEASURED TO CHASSIS WITH 20,000 OHM/VOLT METER AND AT ZERO SIGNAL OUTPUT.
 RECORD COMPENSATOR SWITCH SHOWN IN A.E.S., (EXTREME COUNTER CLOCKWISE) POSITION.
 INPUT SELECTOR SWITCH SHOWN IN EXTREME COUNTER CLOCKWISE, (PHO. 1 POSITION).

C/N No.	DATE	CHANGE	SYM	CHK

Electrohome PA-300 Power Amplifier