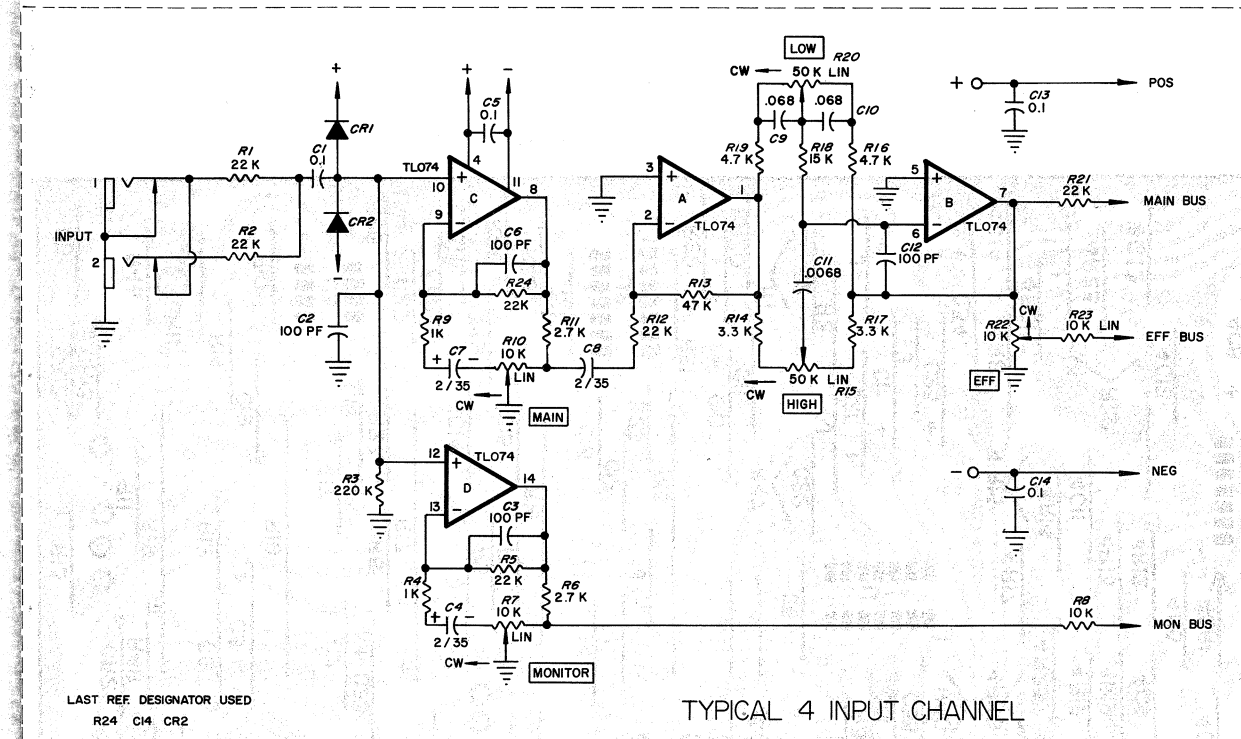
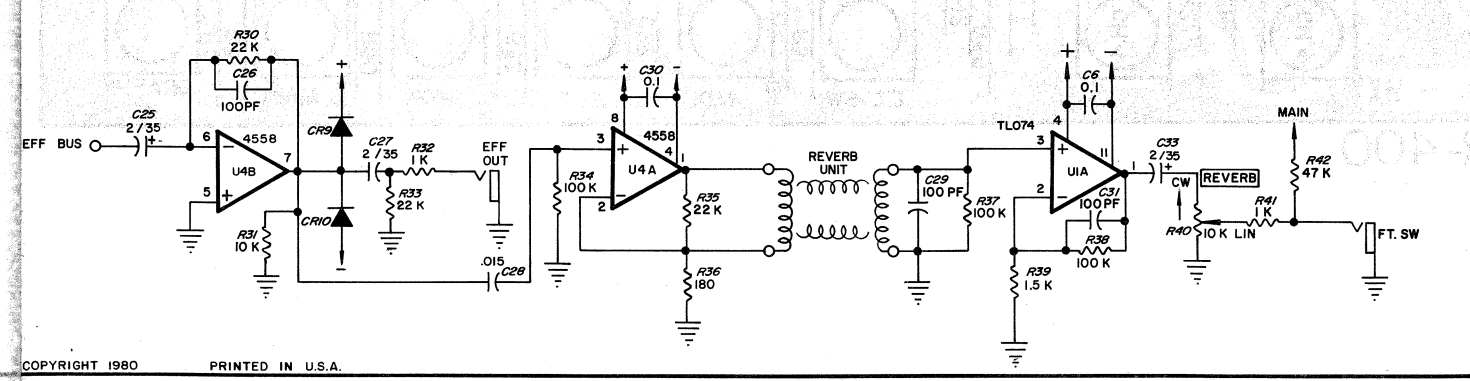
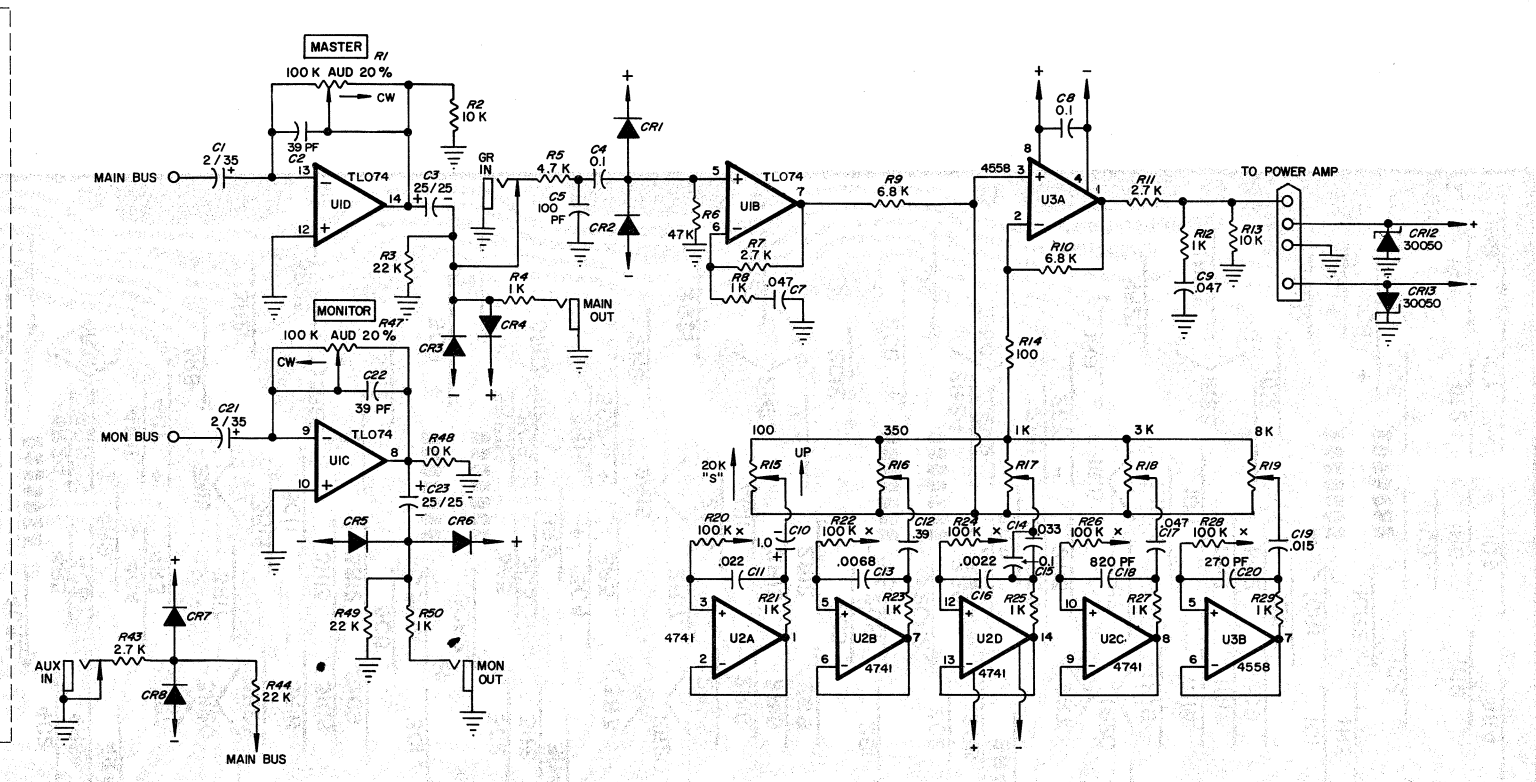


XR-400



TYPICAL 4 INPUT CHANNEL



XR 400

NOTES
 ALL RESISTORS 1/4W UNLESS NOTED
 ALL CAPACITORS IN MFD UNLESS NOTED
 ALL DIODES IN 4148 UNLESS NOTED
 LAST REF DESIGNATOR USED
 R51 C34 CR13

REVISED 12/10/80

PEAVEY ELECTRONICS CORP.
 MERIDIAN, MS
 DRAWN BY *KJ* DATE 6-30-77
 C.B. CK *AJB*
 CK. BY *JH*
 APPR. BY *JC*

P/N 81520255