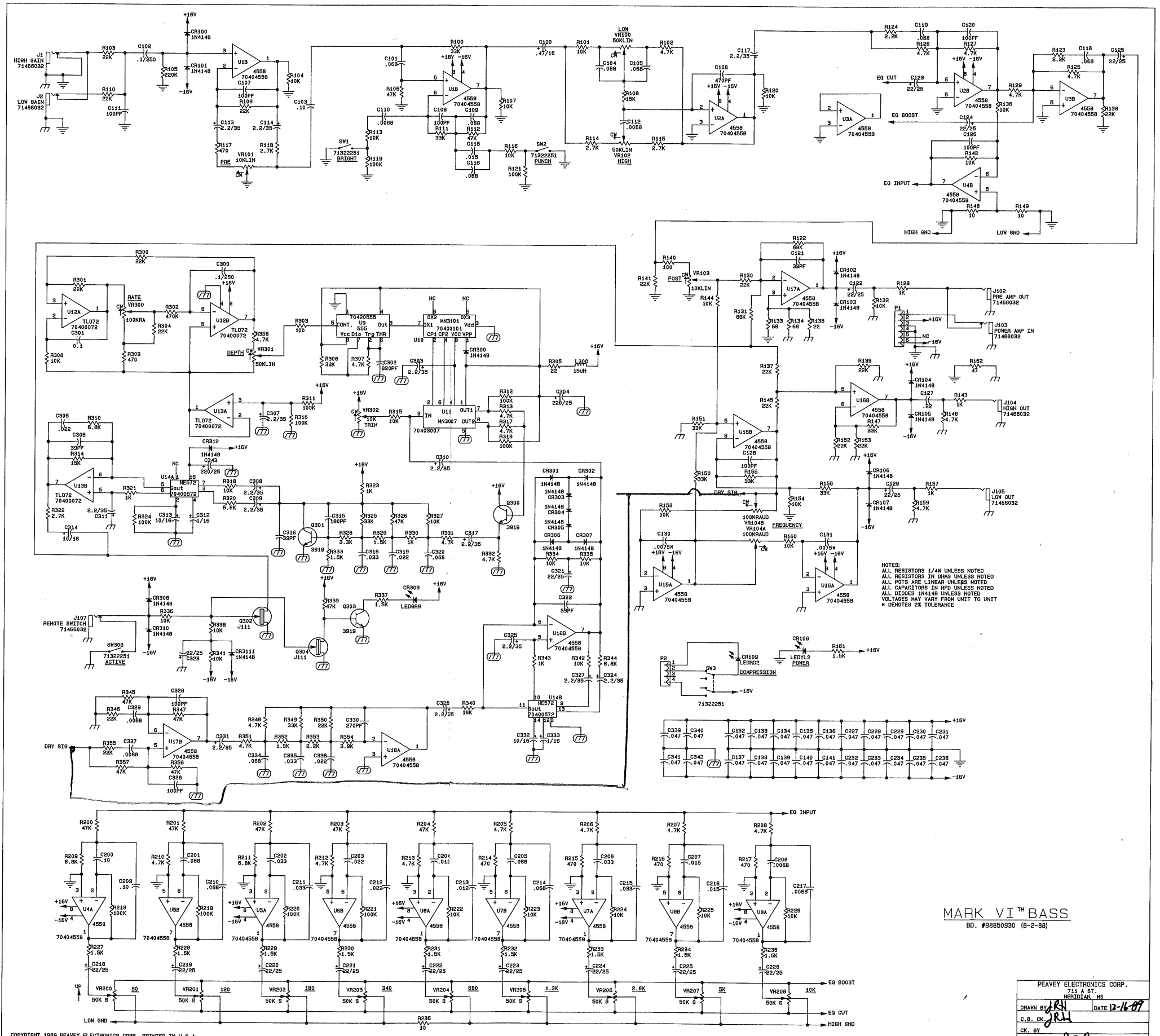


MARK VI™ BASS

Bass
MK *[Signature]*

402 P/M

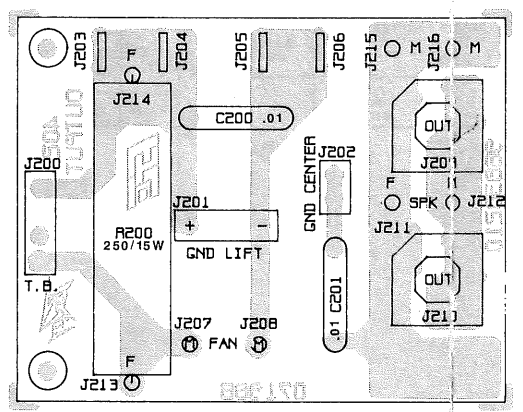
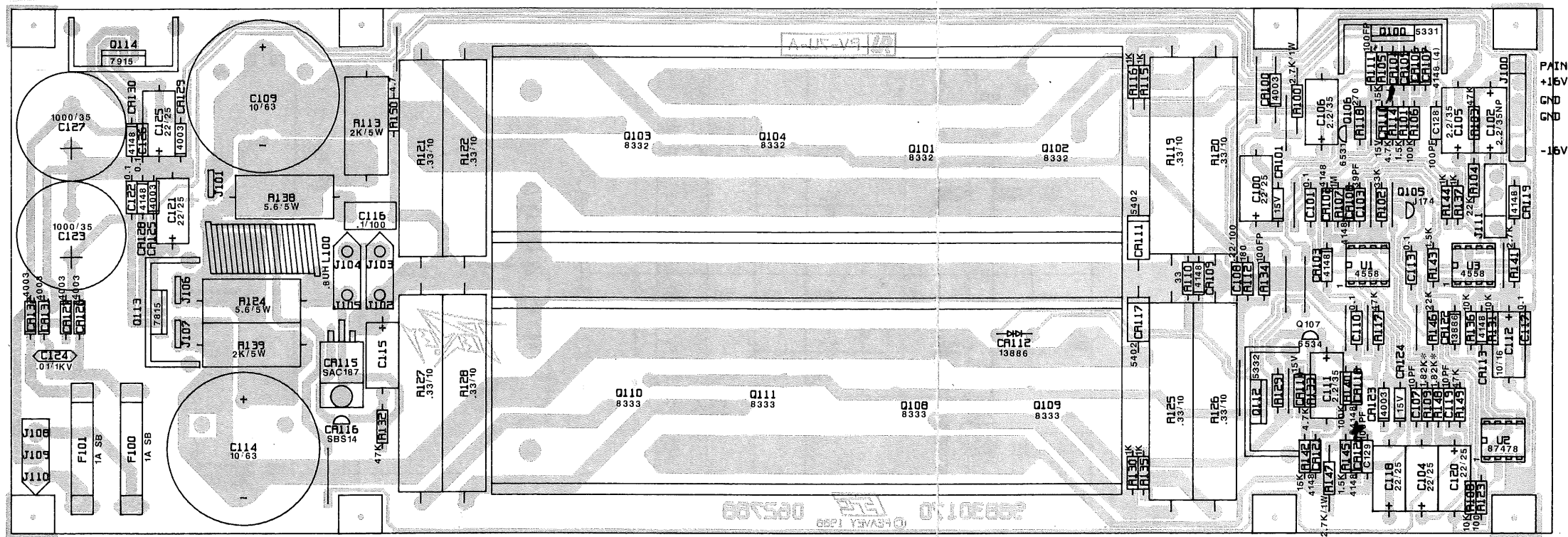
* DENOTES 2% TOLERANCE

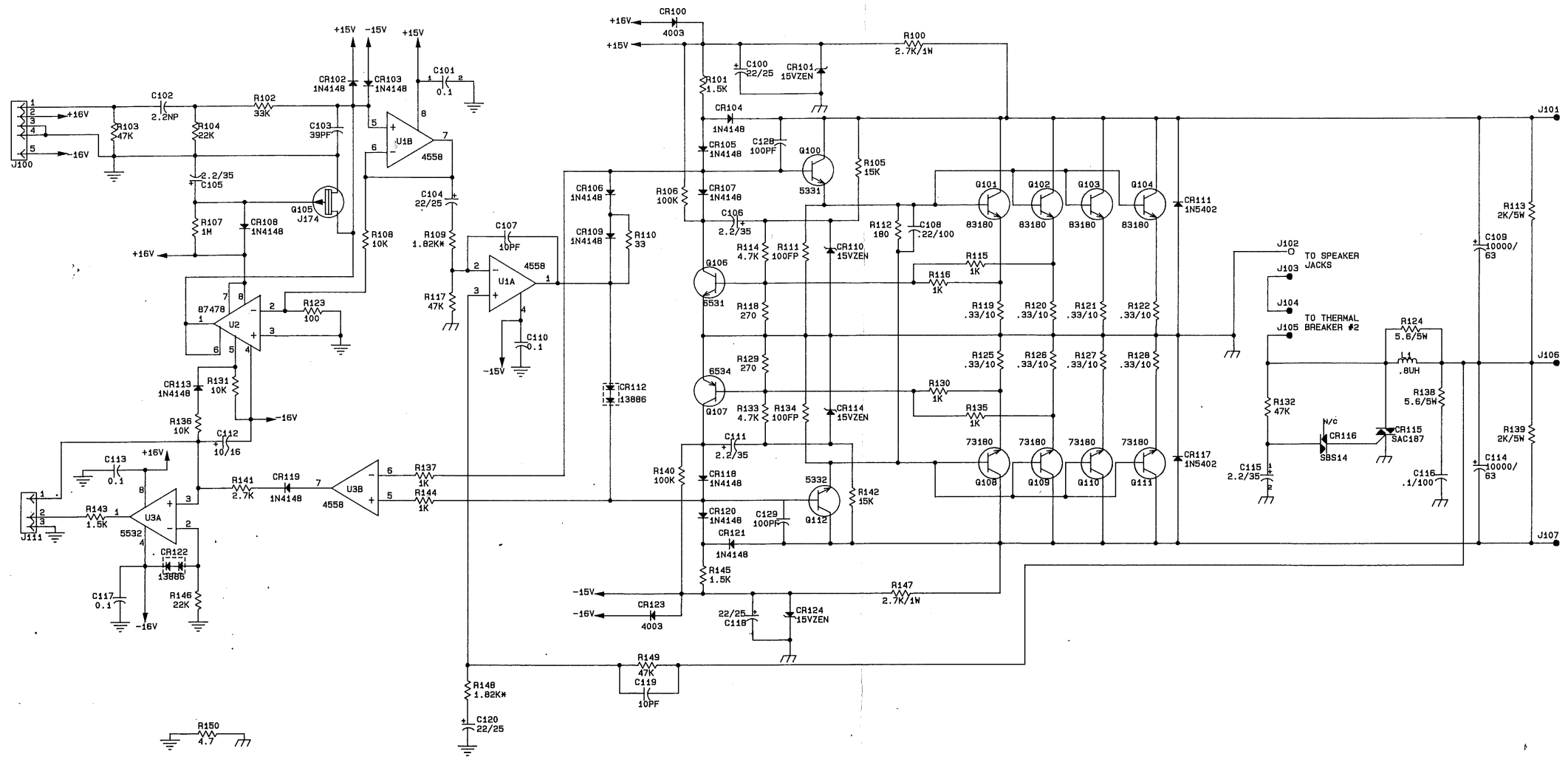


NOTES:
 ALL RESISTORS 1/4W UNLESS NOTED
 ALL POTS ARE LINEAR UNLESS NOTED
 ALL CAPACITORS IN MFD UNLESS NOTED
 ALL DIODES 1N4148 UNLESS NOTED
 VOLTAGES MAY VARY FROM UNIT TO UNIT
 * DENOTES 2X TOLERANCE

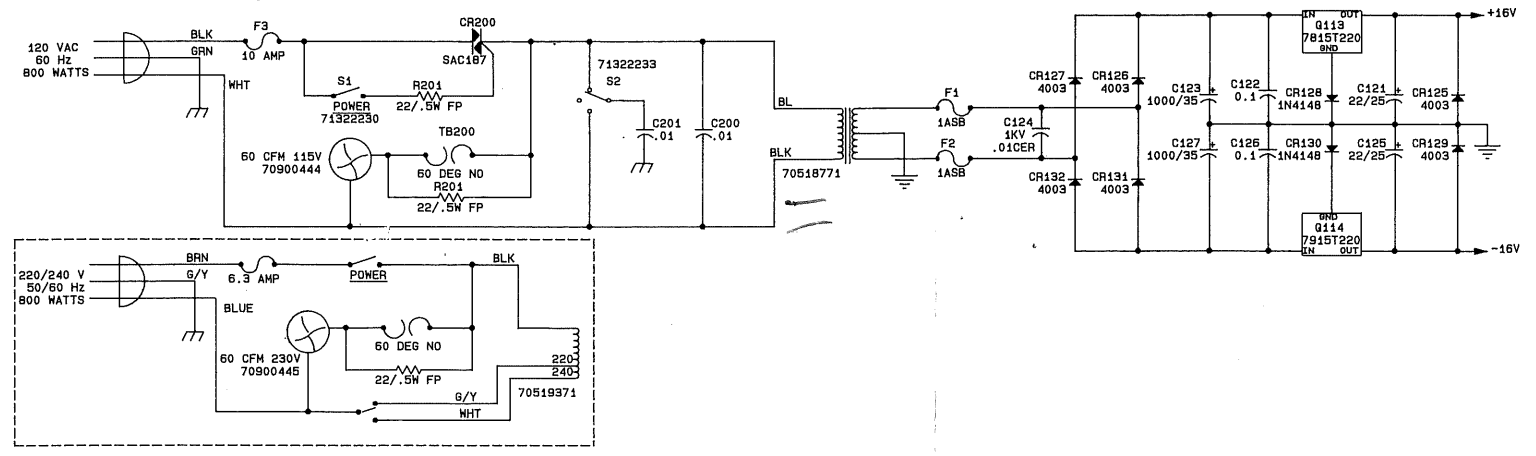
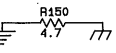
MARK VI™ BASS
 ED. #98850930 (6-2-88)

PEAVEY ELECTRONICS CORP. 714 S. ST. MERIDIAN, MS	
DRAWN BY: <i>RH</i>	DATE: 12-16-87
C.B. CK: <i>JRL</i>	
CK. BY:	
APPR. BY: <i>Jef</i>	





NOTES:
 ALL RESISTORS 1/4W UNLESS NOTED
 ALL POTS ARE LINEAR UNLESS NOTED
 ALL CAPACITORS 1N HFD UNLESS NOTED
 ALL DIODES 1N4148 UNLESS NOTED
 VOLTAGES MAY VARY FROM UNIT TO UNIT
 LAST REFERENCE DESIGNATOR USED:
 L1, CR132, C129, R150, J111, Q114, F2



402 MODULE
 BD. #98830170 (6-27-88)

PEAVEY ELECTRONICS CORP. 711 A ST. MERIDIAN, MS	
DRAWN BY <i>JRH</i>	DATE <i>12-16-87</i>
C.B. CK. <i>JAH</i>	
CK. BY	
APPR. BY <i>del</i>	

P/N 81505215