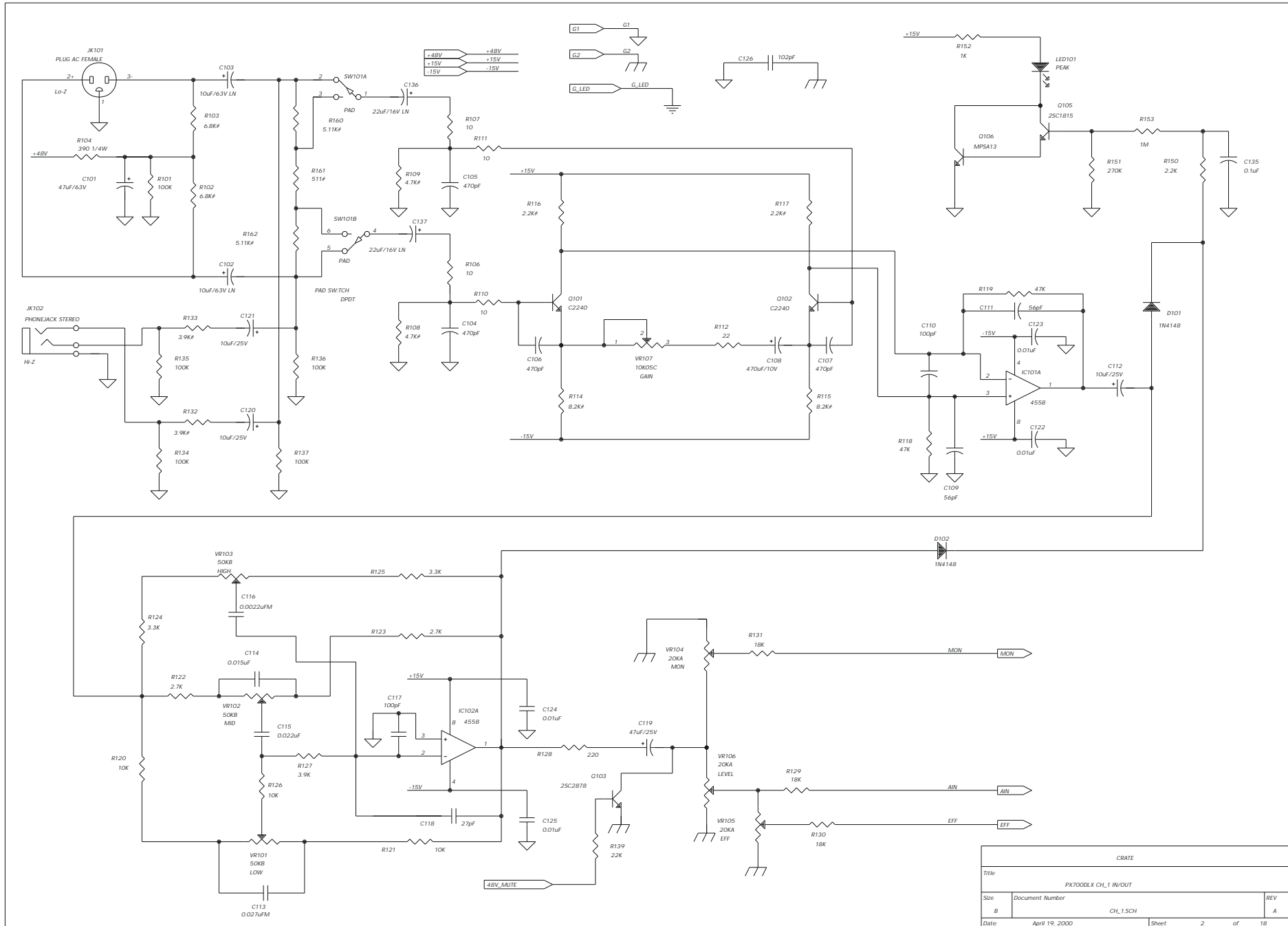
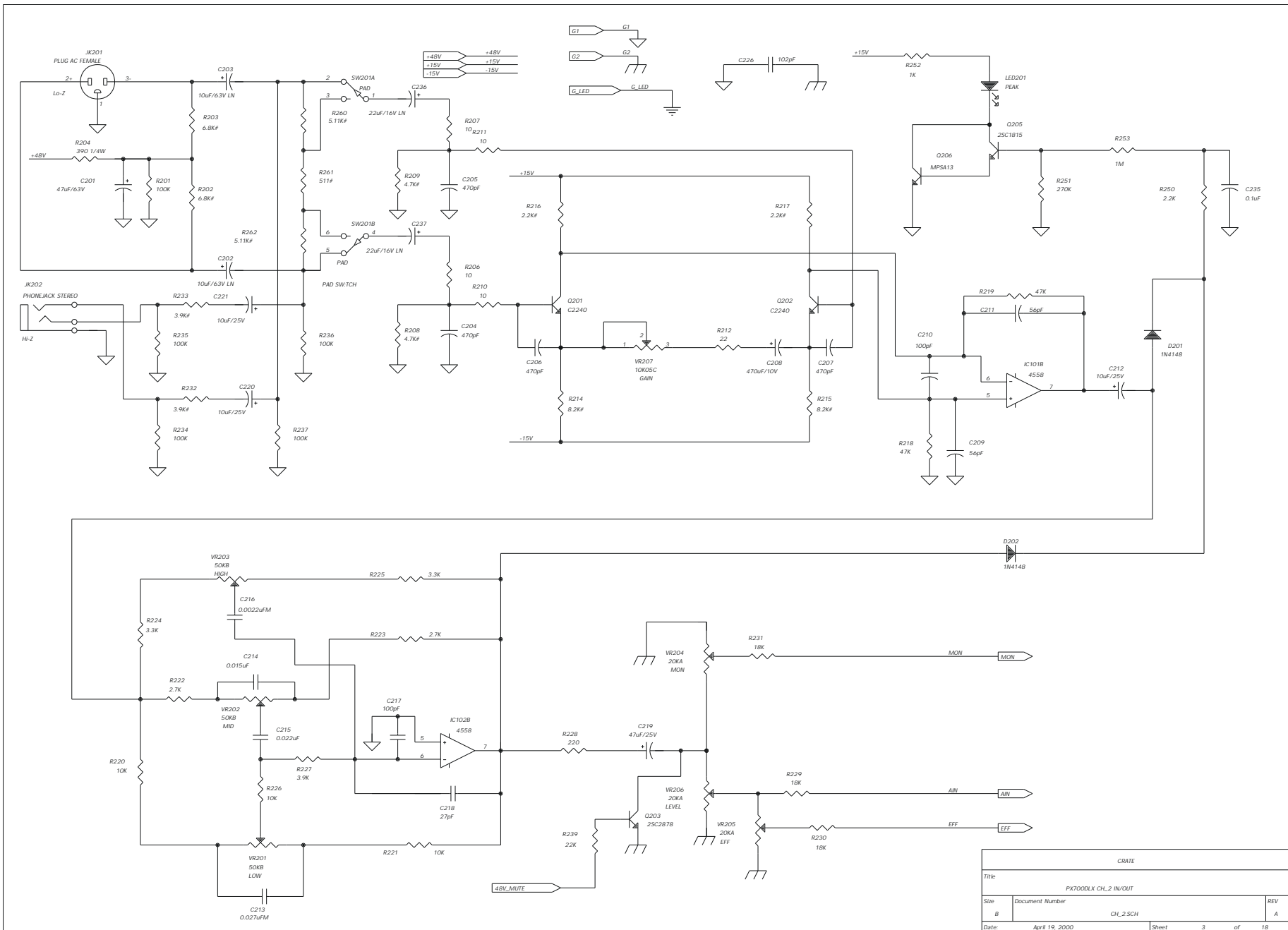


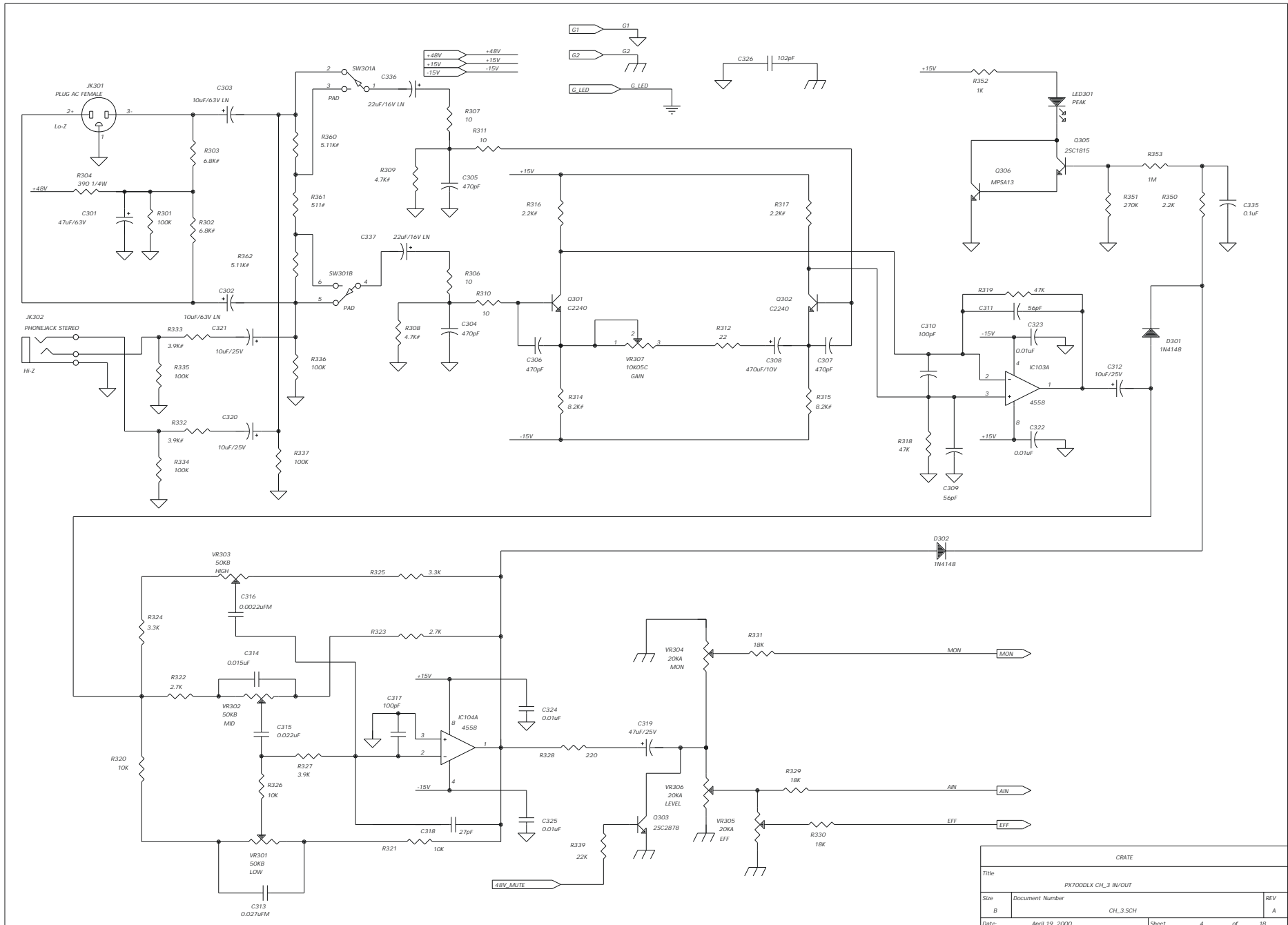
CRATE			
Title	PX700DLX BLOCK DIAGRAM		
Size	Document Number	BLOCK.SCH	REV A
Date:	April 19, 2000	Sheet 1	of 18



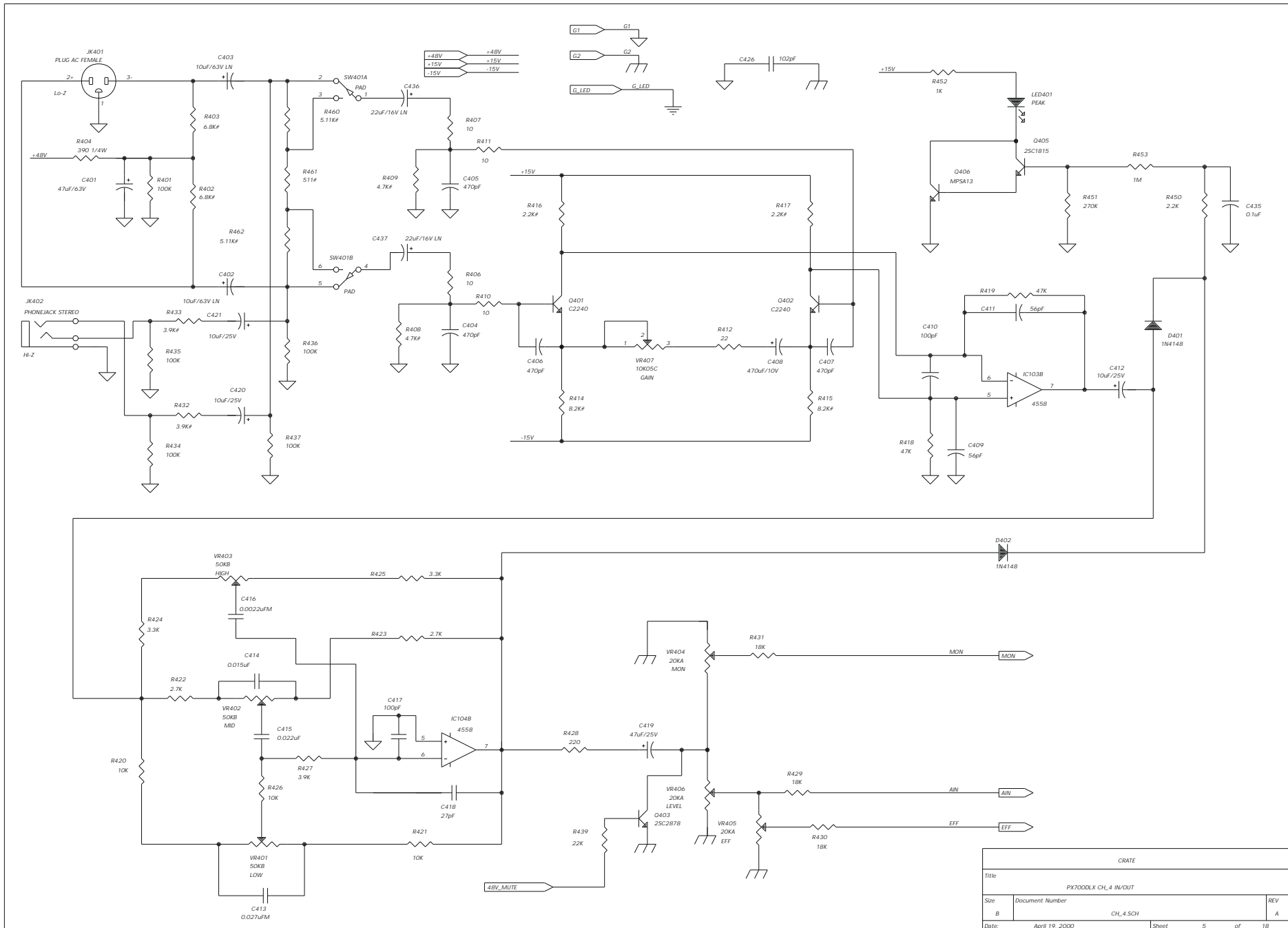
CRATE			
Title			
PX700DLX CH_1 IN/OUT			
Size	Document Number	REV	
B	CH_1_SCH	A	
Date:	April 19, 2000	Sheet	2 of 18



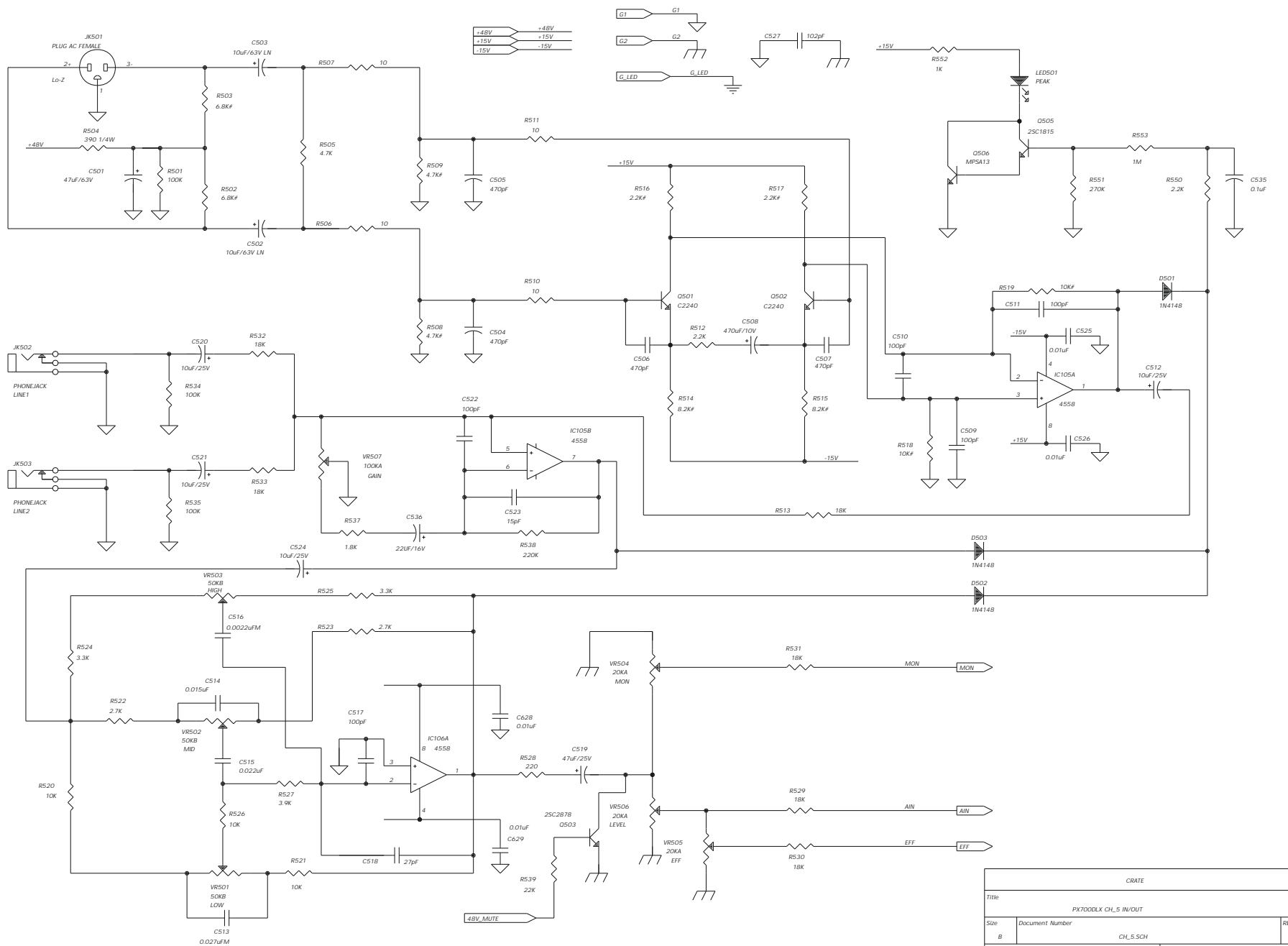
CRATE		
Title PX700DLX CH_2 IN/OUT		
Size B	Document Number CH_2.SCH	REV A
Date April 19, 2000	Sheet 3	of 18



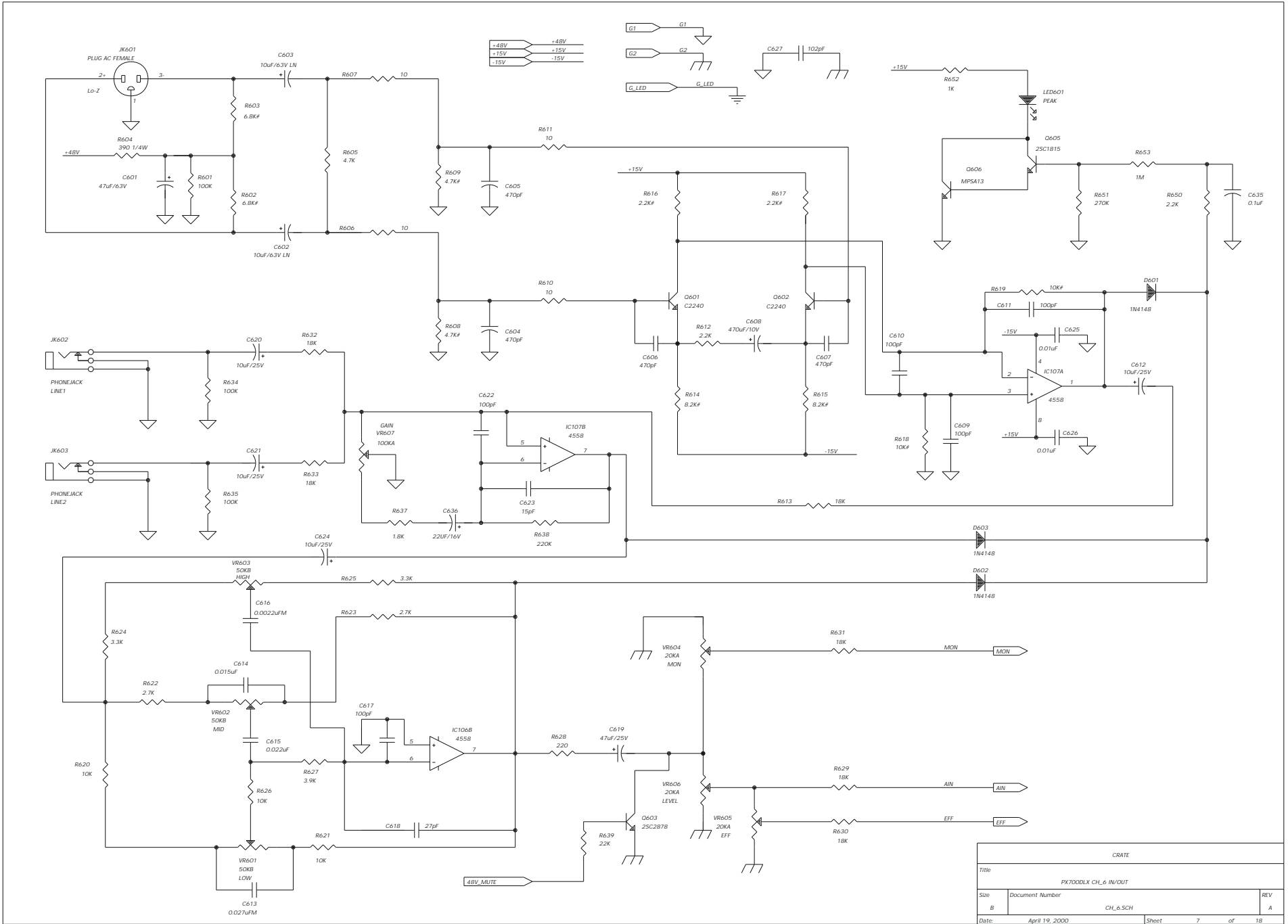
CRATE			
Title			
PX700DLX_CH_3_IN/OUT			
Size	Document Number	REV	
B	CH_3_SCH	A	
Date:	April 19, 2000	Sheet	4 of 18



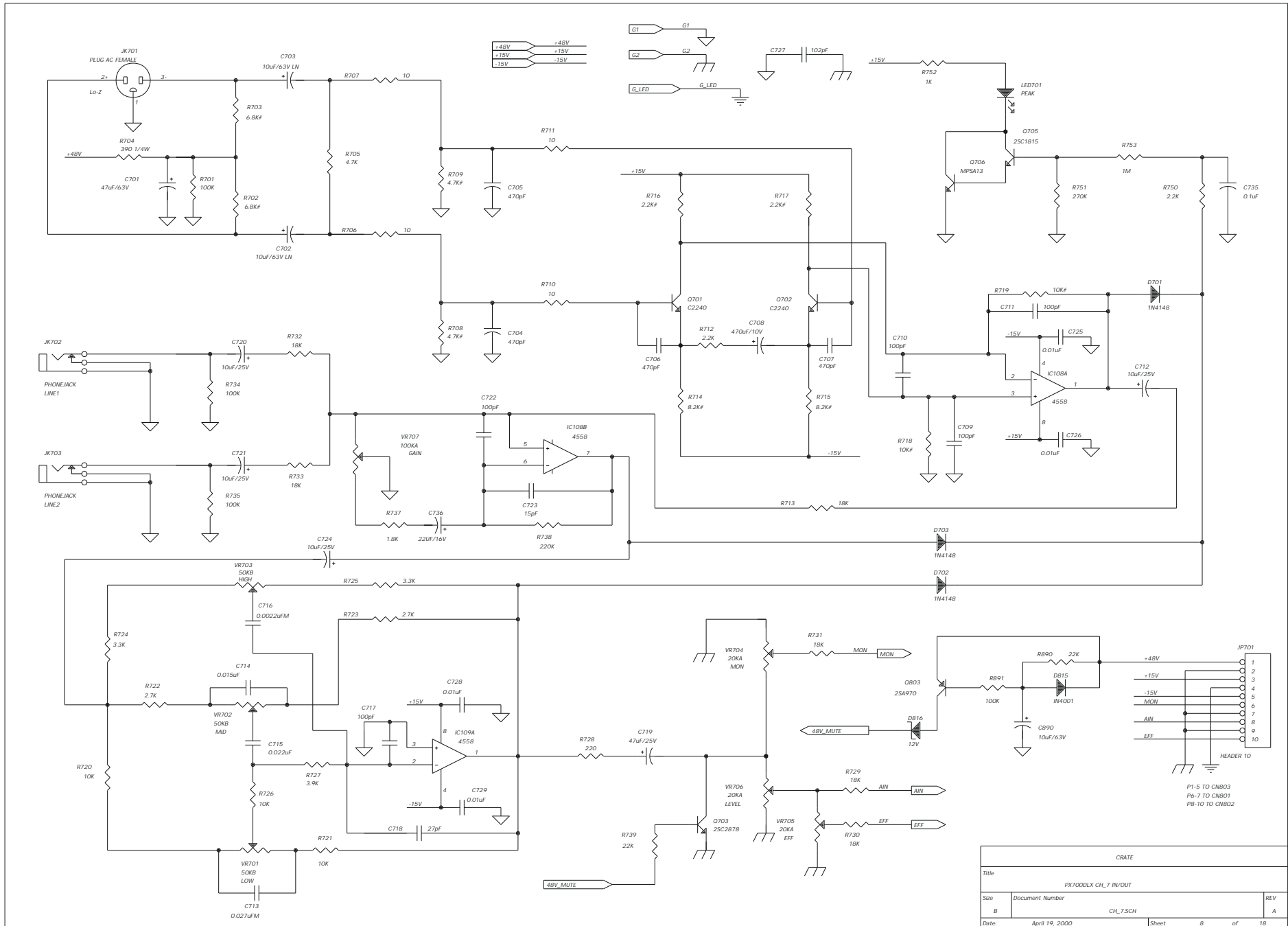
CRATE		
Title: PX700DLX CH_4 IN/OUT		
Size: B	Document Number: CH_4.SCH	REV: A
Date: April 19, 2000	Sheet: 5	of 18



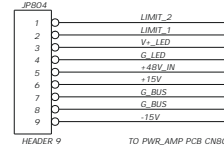
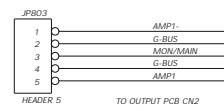
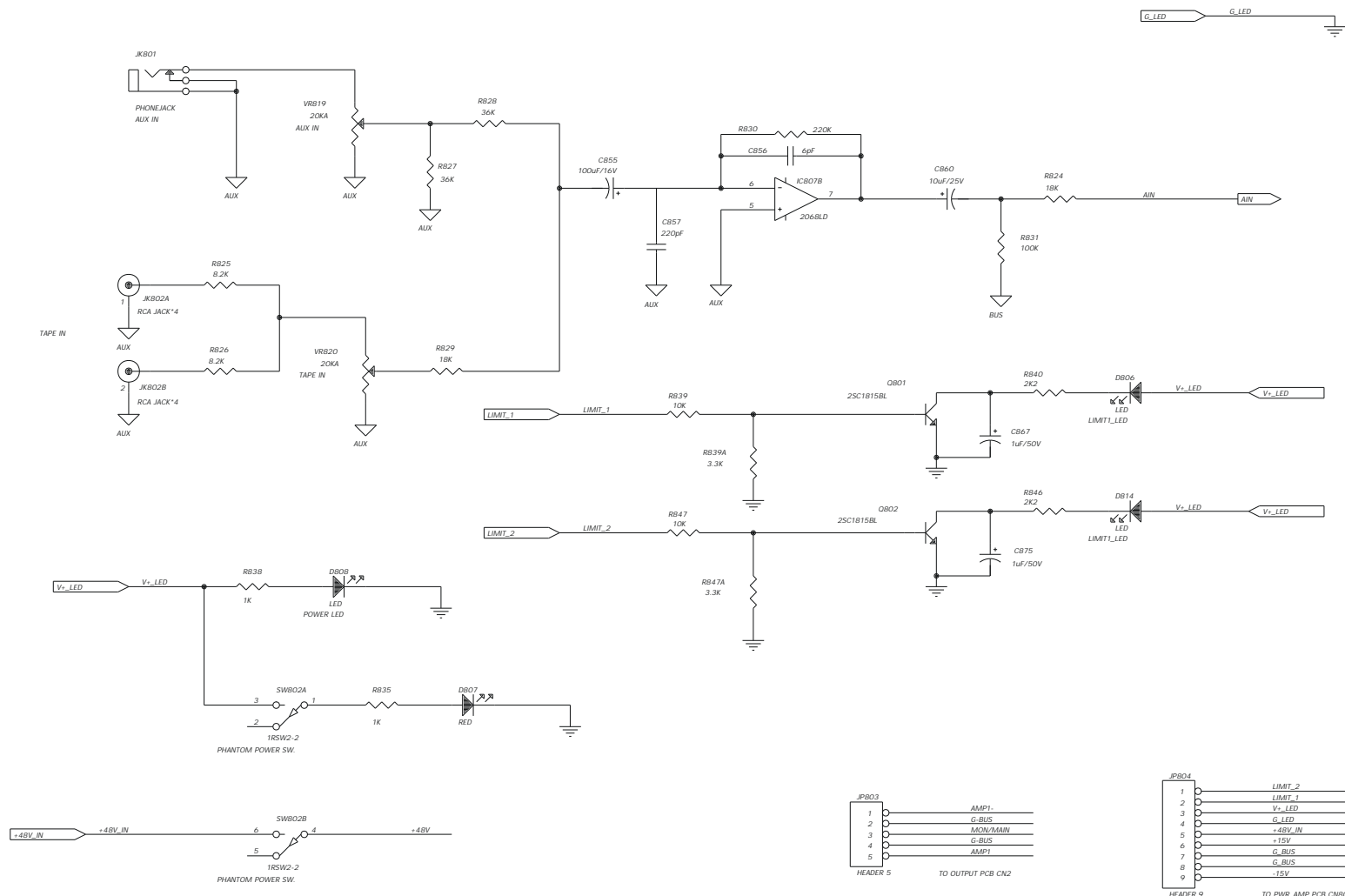
CRATE		
Title		
PX700DLX_CH_5_IN/OUT		
Size	Document Number	REV
B	CH_5_SCH	A
Date:	April 19, 2000	Sheet 6 of 18



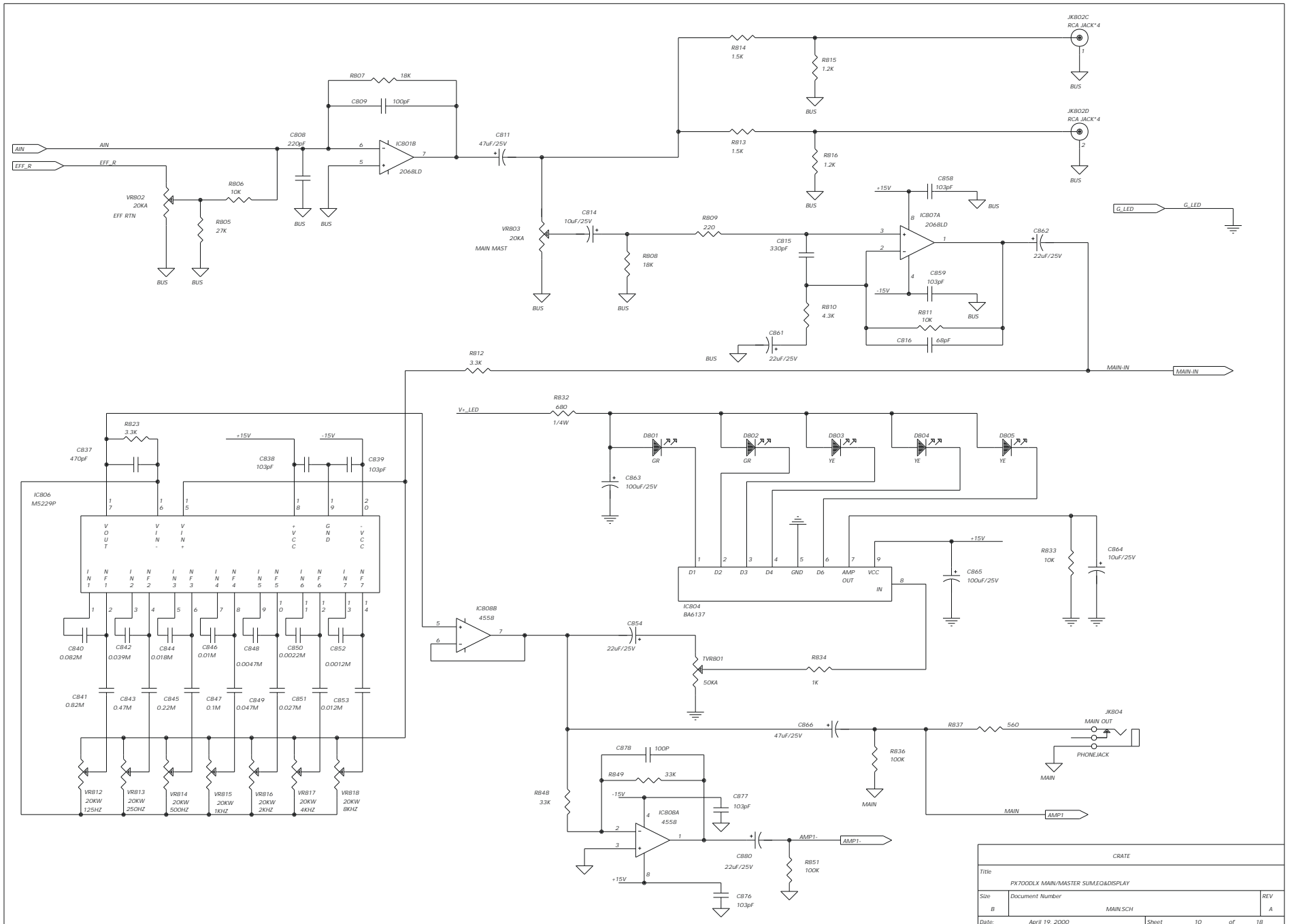
CRATE		
Title	PX700DLX CH_6 IN/OUT	
Size	Document Number	REV
B	CH_6_SCH	A
Date:	April 19, 2000	Sheet 7 of 18



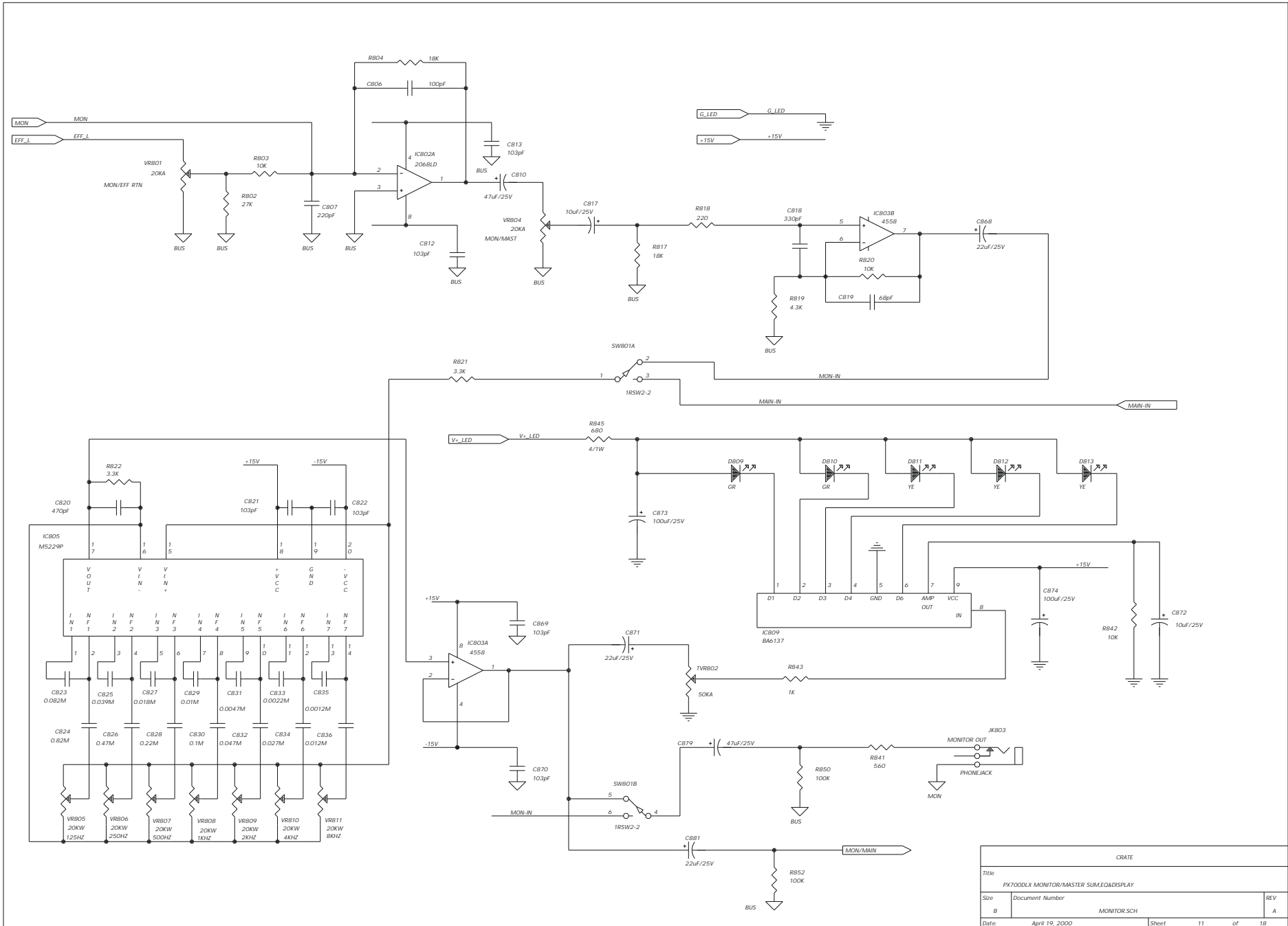
CRATE			
Title			
PK700DLX_CHL7_IN/OUT			
Size	Document Number	REV	
B	CHL7_SCH	A	
Date:	April 19, 2000	Sheet	8 of 18



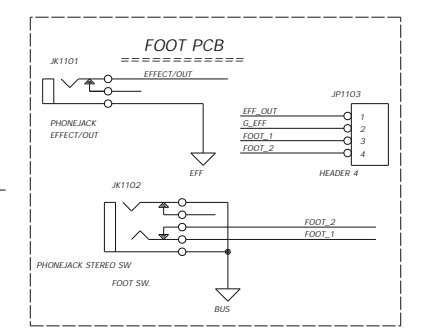
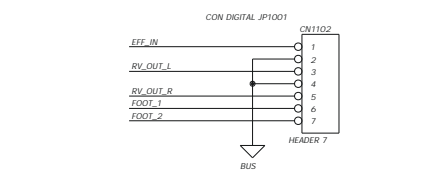
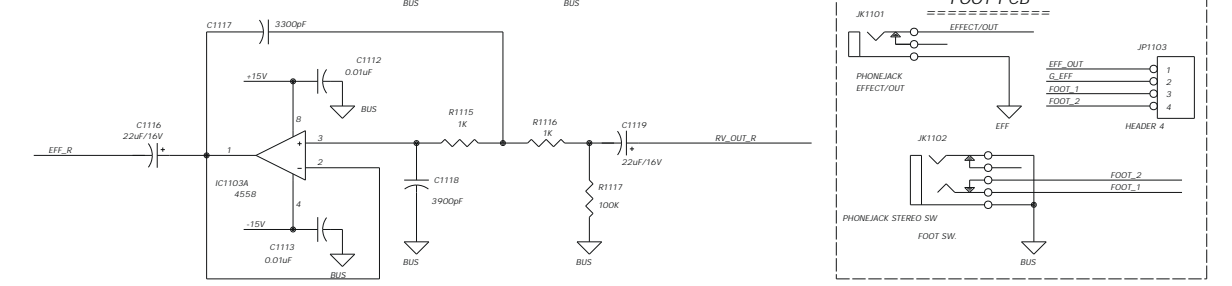
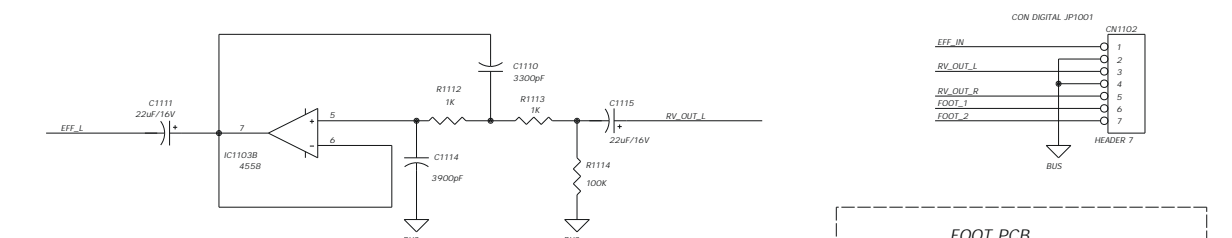
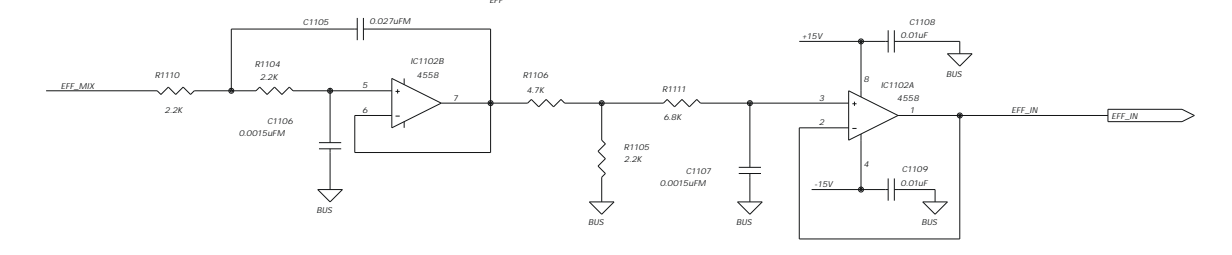
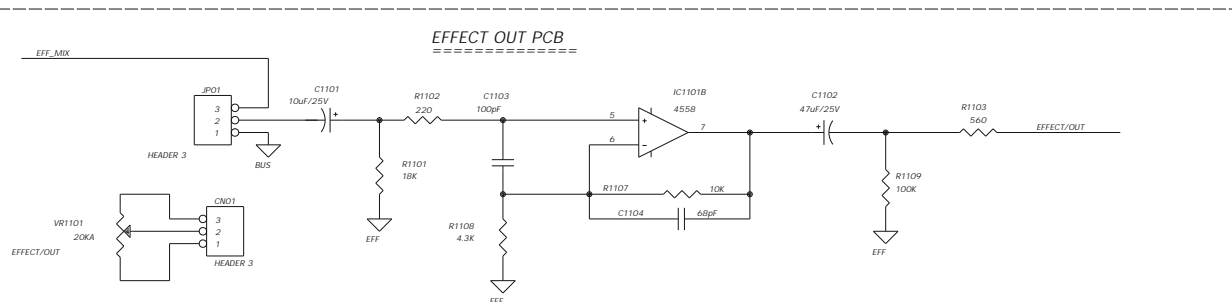
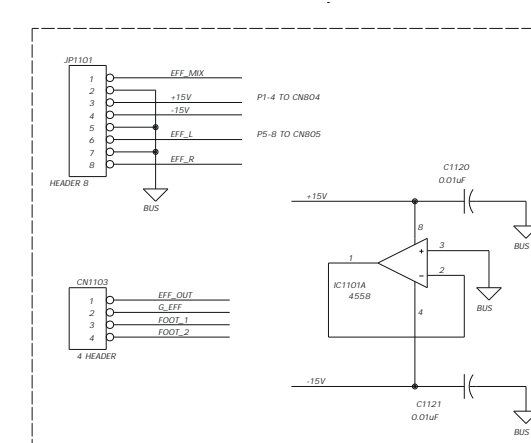
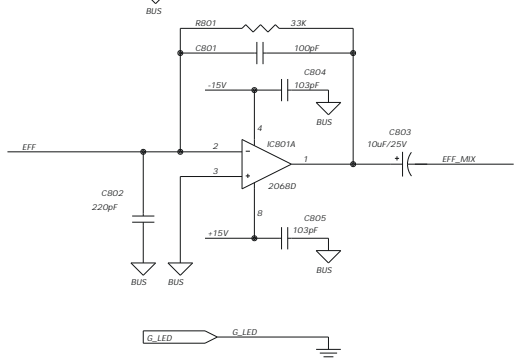
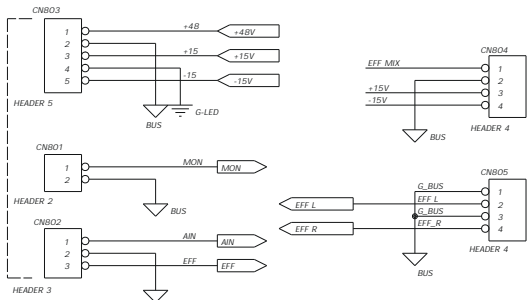
CRATE		
Title PX700DLX AUX/TAPE IN		
Size B	Document Number AUX_TAP_SCH	REV A
Date April 19, 2000	Sheet 9	of 18



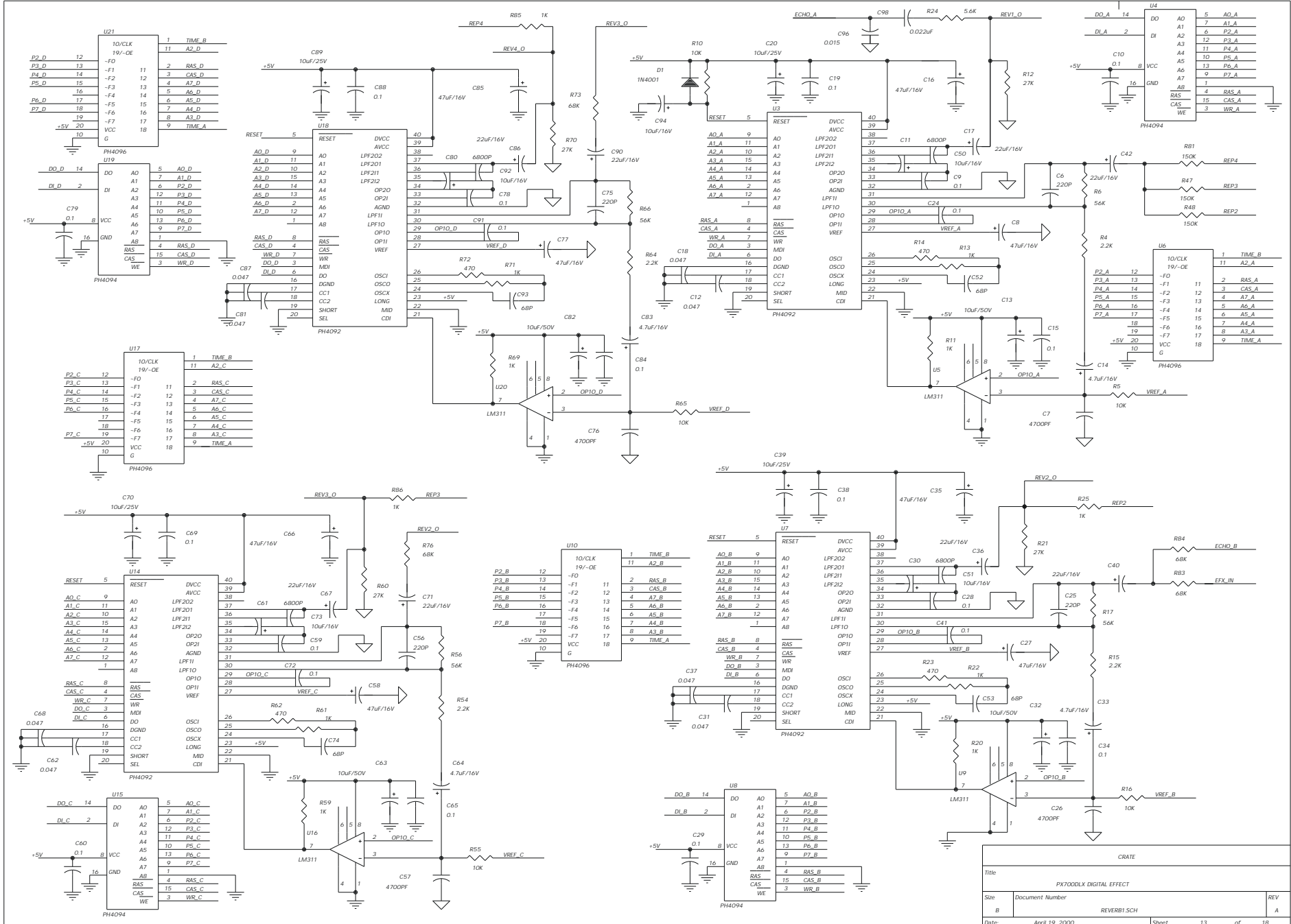
CRATE		
Title	PX700DLX MAIN-MASTER SUMMED DISPLAY	
Size	Document Number	REV
B	MAIN.SCH	A
Date:	April 19, 2000	Sheet 10 of 18

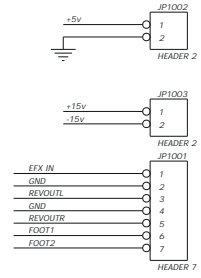
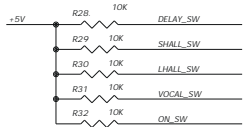
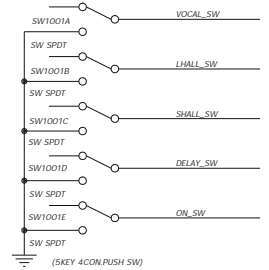
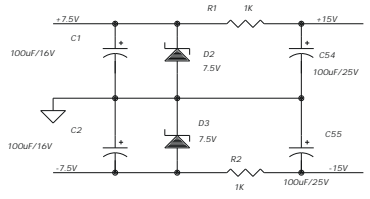
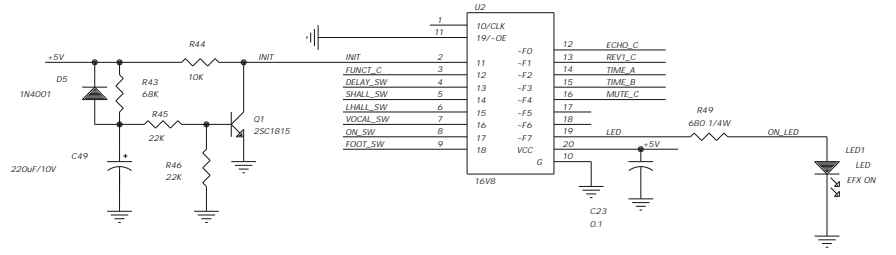
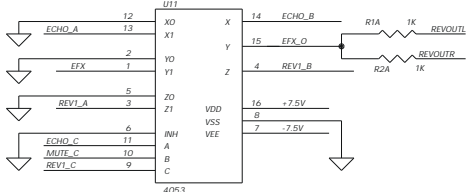
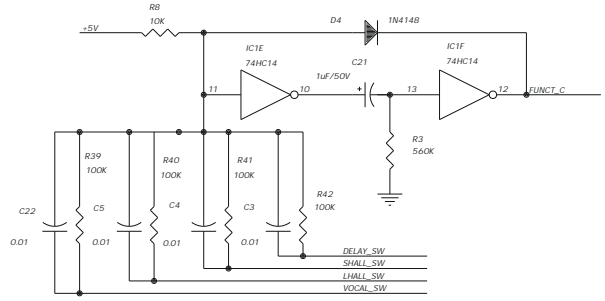
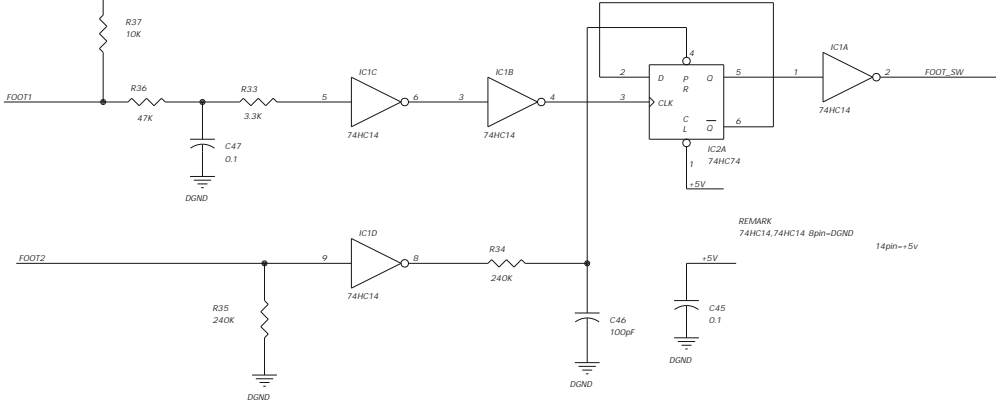
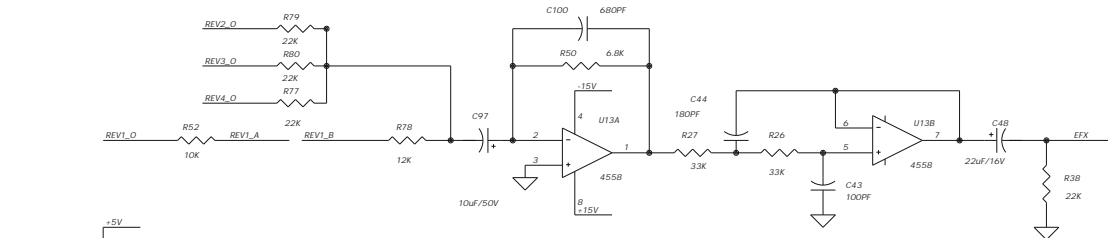


CRATE			
Title PX700DLX MONITOR/MASTER SUM.EQ&DISPLAY			
Size B	Document Number MONITOR.SCH		REV A
Date April 19, 2000	Sheet 11	of 18	

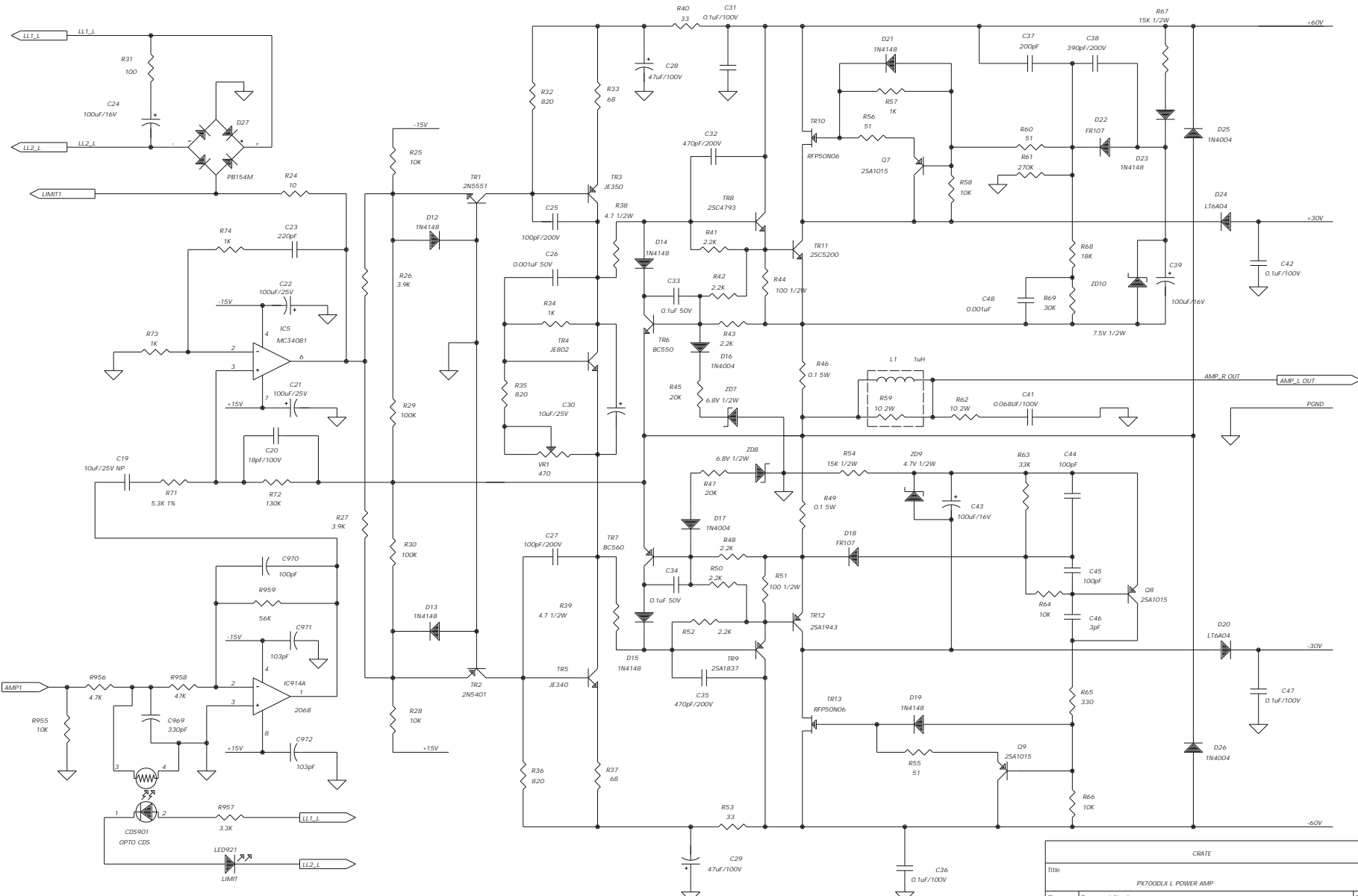


CRATE			
Title			
PX700DLX EFFECT SUM			
Size	Document Number	REV	
B	EFFECT.SCH	A	
Date	April 19, 2000	Sheet	12 of 18

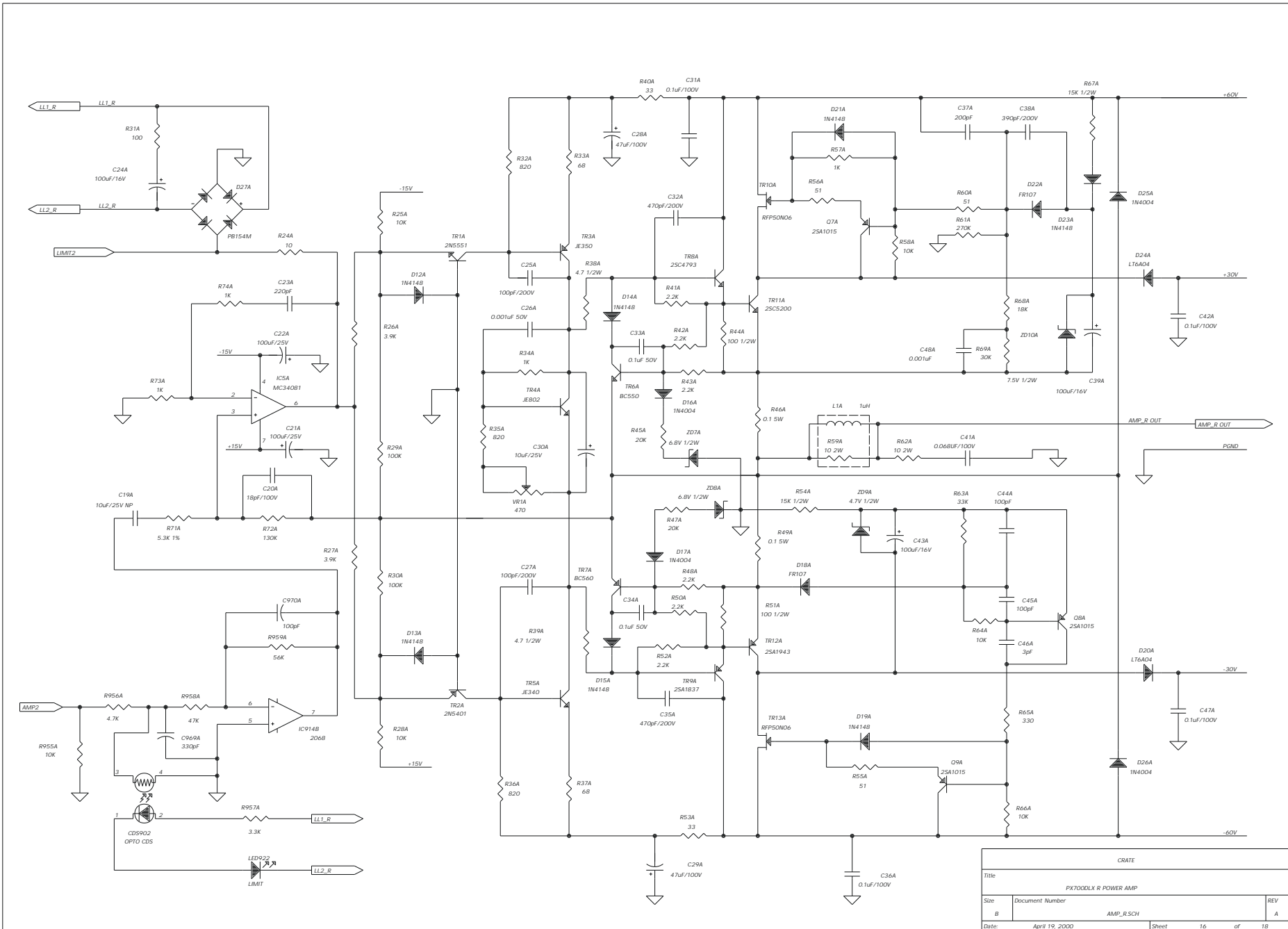




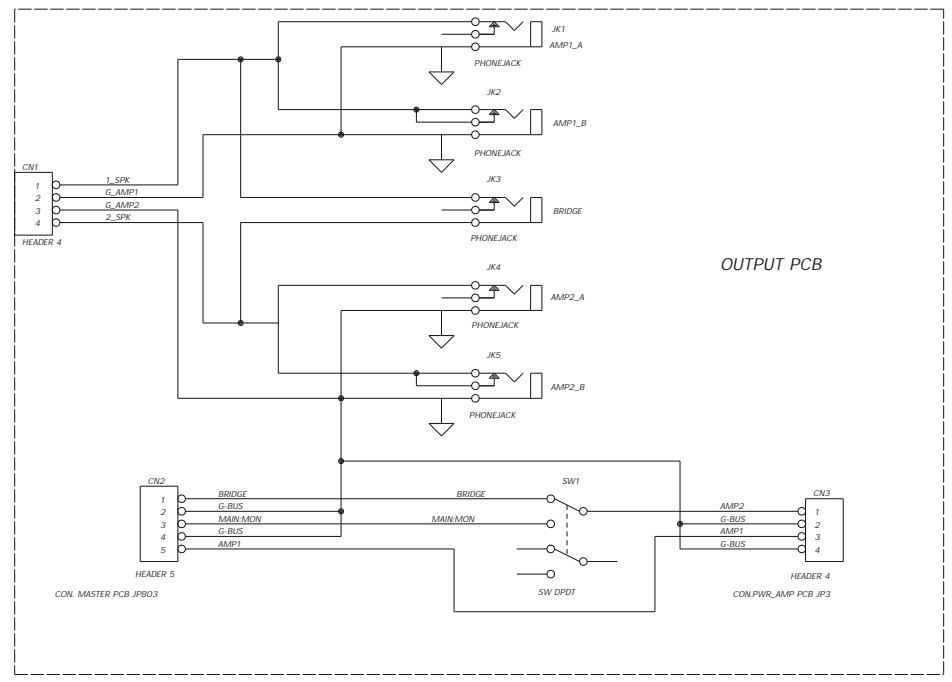
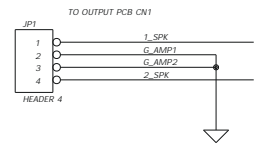
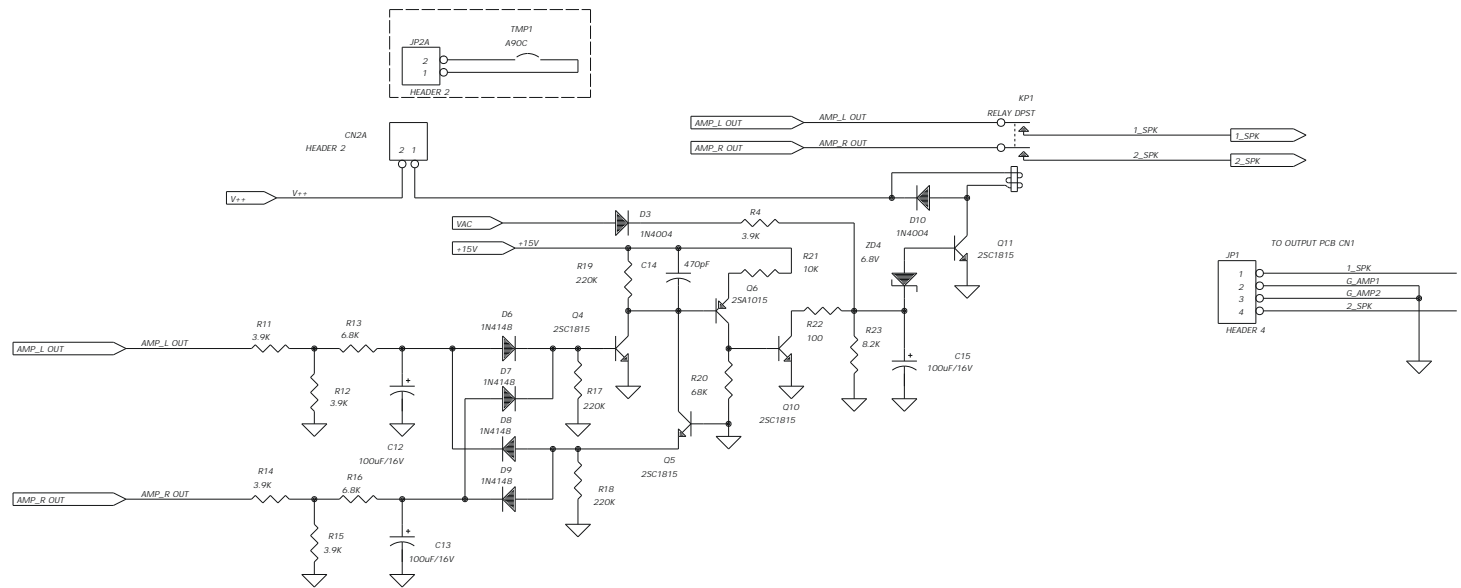
GRATE			
Title PX700DLX DIGITAL EFFECT			
Size B	Document Number REVERB2.SCH	REV A	
Date April 19, 2000	Sheet 14	of 18	



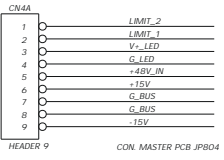
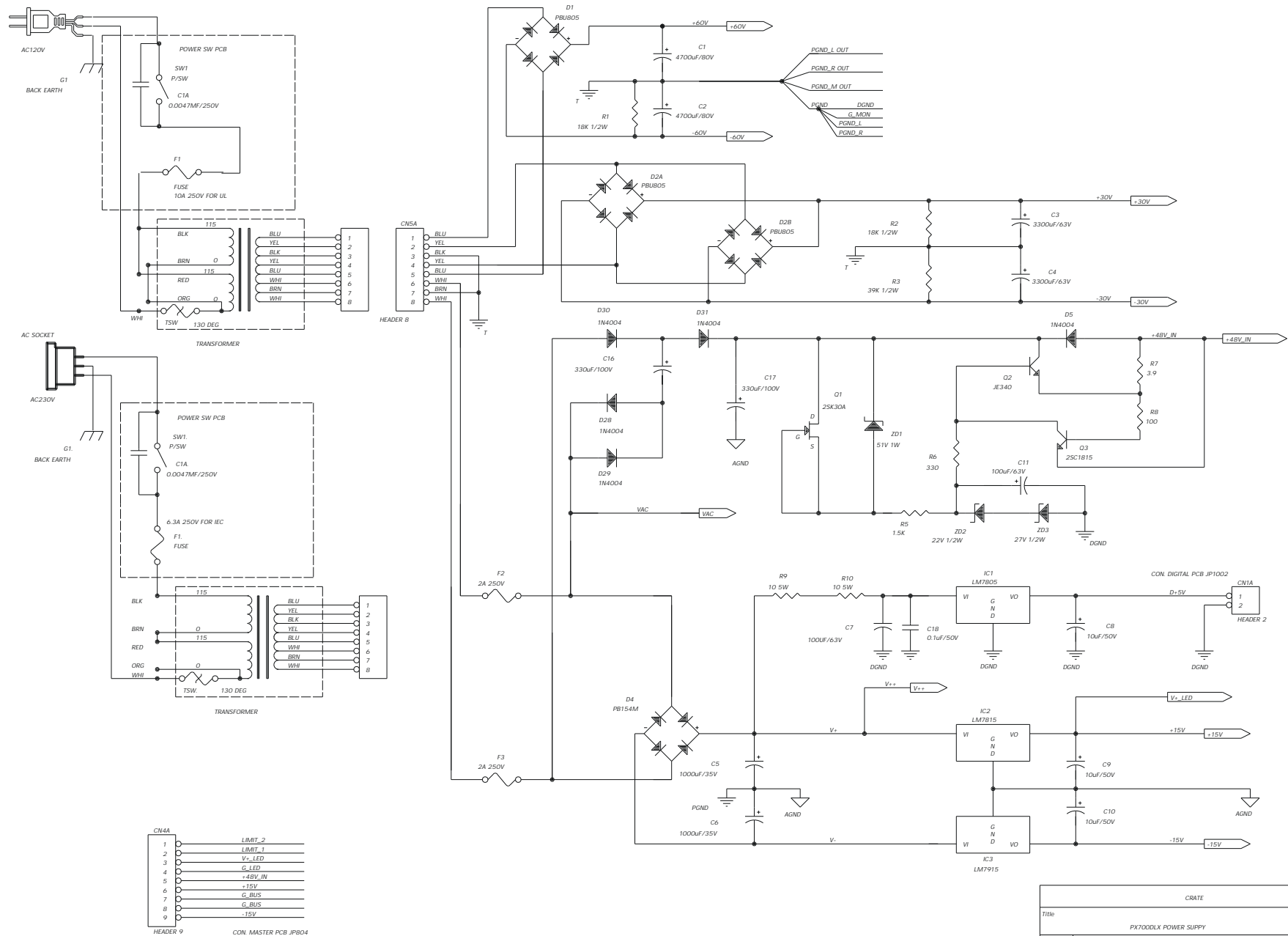
CRATE			
Title			
PX700DLX L POWER AMP			
Size	Document Number	REV	
B	AMP_L_SCH	A	
Date:	April 19, 2000	Sheet	15 of 18



CRATE		
Title	PX7000DLX R POWER AMP	
Size	Document Number	REV
B	AMP_RSCH	A
Date:	April 19, 2000	Sheet 16 of 18



CRATE		
Title PX700DLX RELAY & OUTPUT		
Size B	Document Number RLY_OUT.SCH	REV A
Date: April 19, 2000	Sheet 17	of 18



CRATE			
Title			
PX700DLX POWER SUPPLY			
Size	Document Number		REV
B	POWER.SCH		A
Date:	April 19, 2000	Sheet	18 of 18