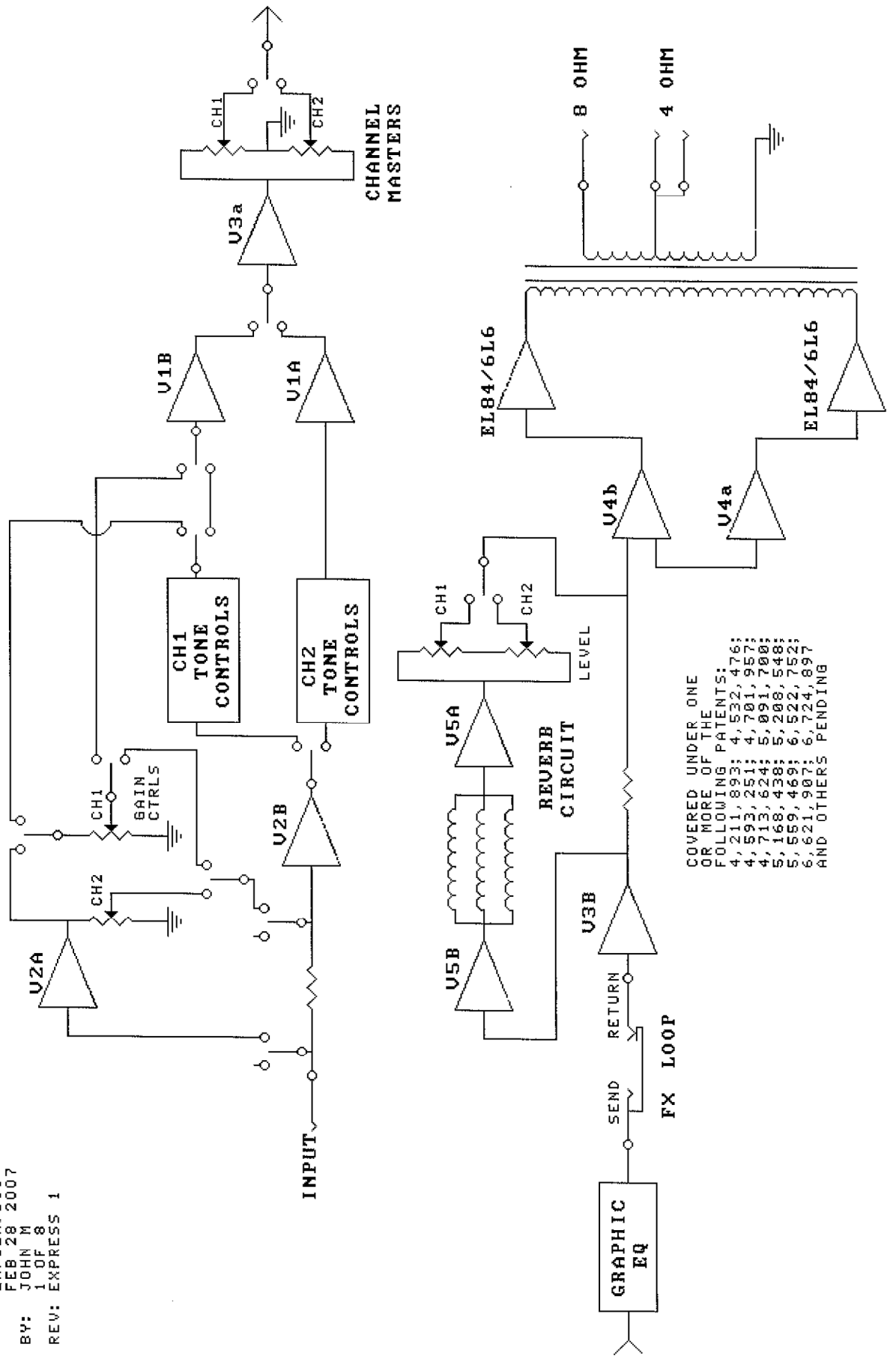


MESA/BOOGIE

EXPRESS 5:25, 5:50

BLOCK DIAGRAM

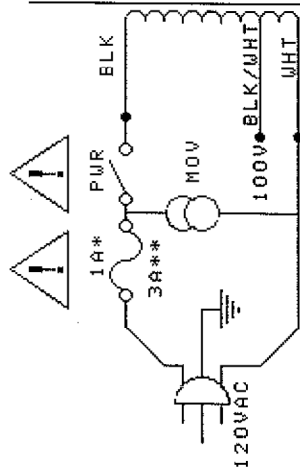
FILE: EXPBLK.501
 DATE: FEB 28 2007
 DRAWN BY: JOHN M
 PAGE: 1 OF 8
 BOARD REV: EXPRESS 1



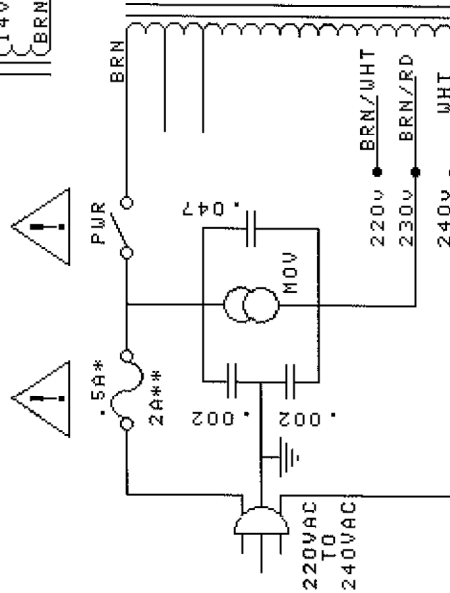
MESA/BOOGIE EXPRESS 5:25, 5:50

POWER SUPPLIES

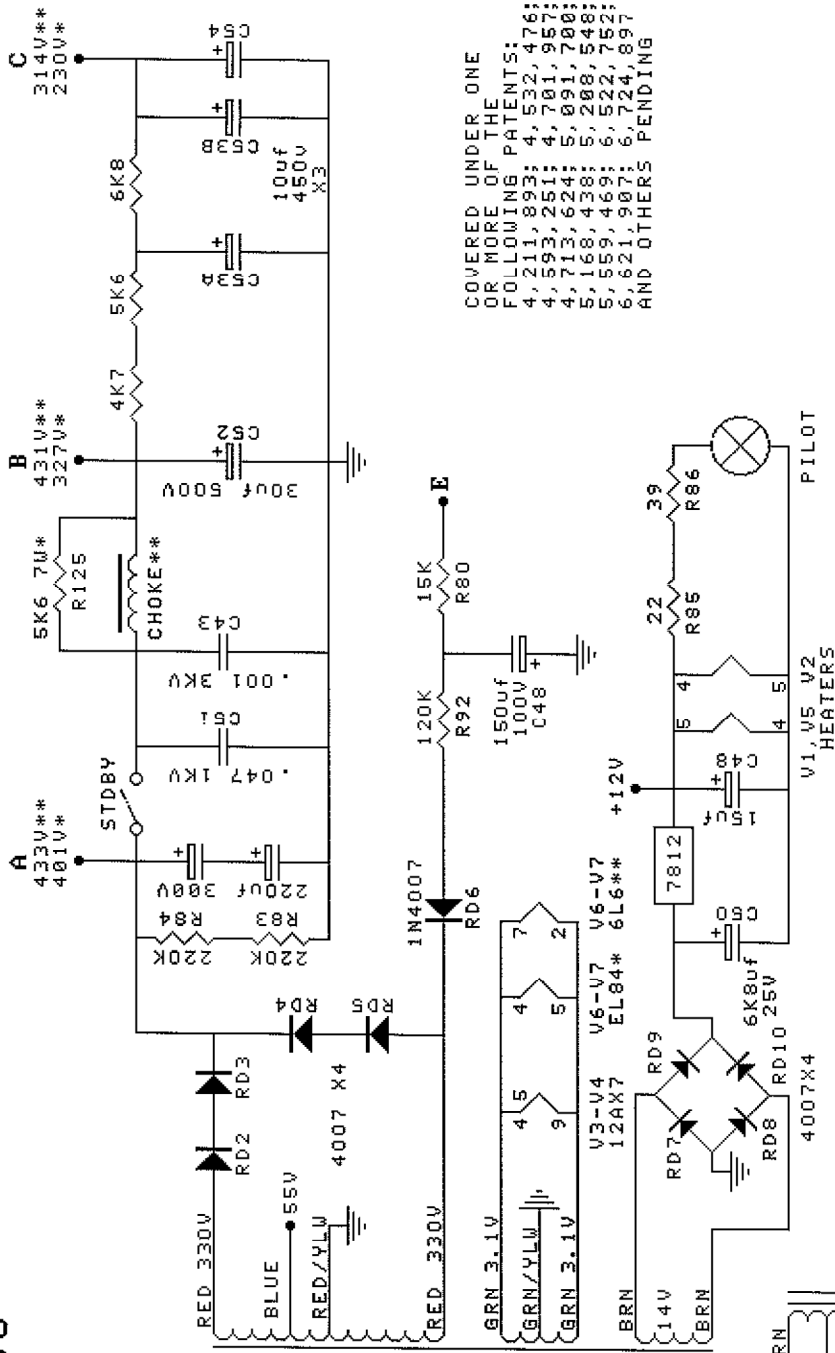
FILE: EXP5UP_501
DATE: FEB 28 2007
DRAWN BY: JOHN M
PAGE: 2 OF 8
BOARD REV: EXPRESS 1



**DOMESTIC #561830*
PRIMARY #561832****

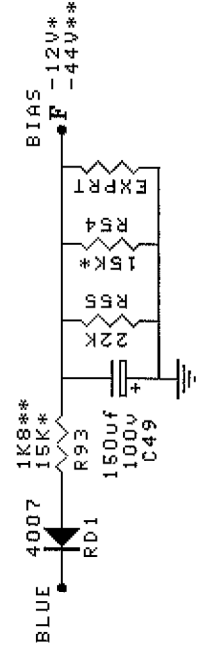


**EXPORT PRIMARY #561831*
#561833****



COVERED UNDER ONE
OR MORE OF THE
FOLLOWING PATENTS:
4,211,893; 4,532,476;
4,593,251; 4,701,957;
4,713,624; 5,091,700;
5,168,438; 5,208,548;
5,559,469; 6,522,752;
6,621,907; 6,724,897
AND OTHERS PENDING

***5:25 ONLY**
****5:50 ONLY**
ALL VOLTAGES
MEASURED IN
CHI CLEAN MODE

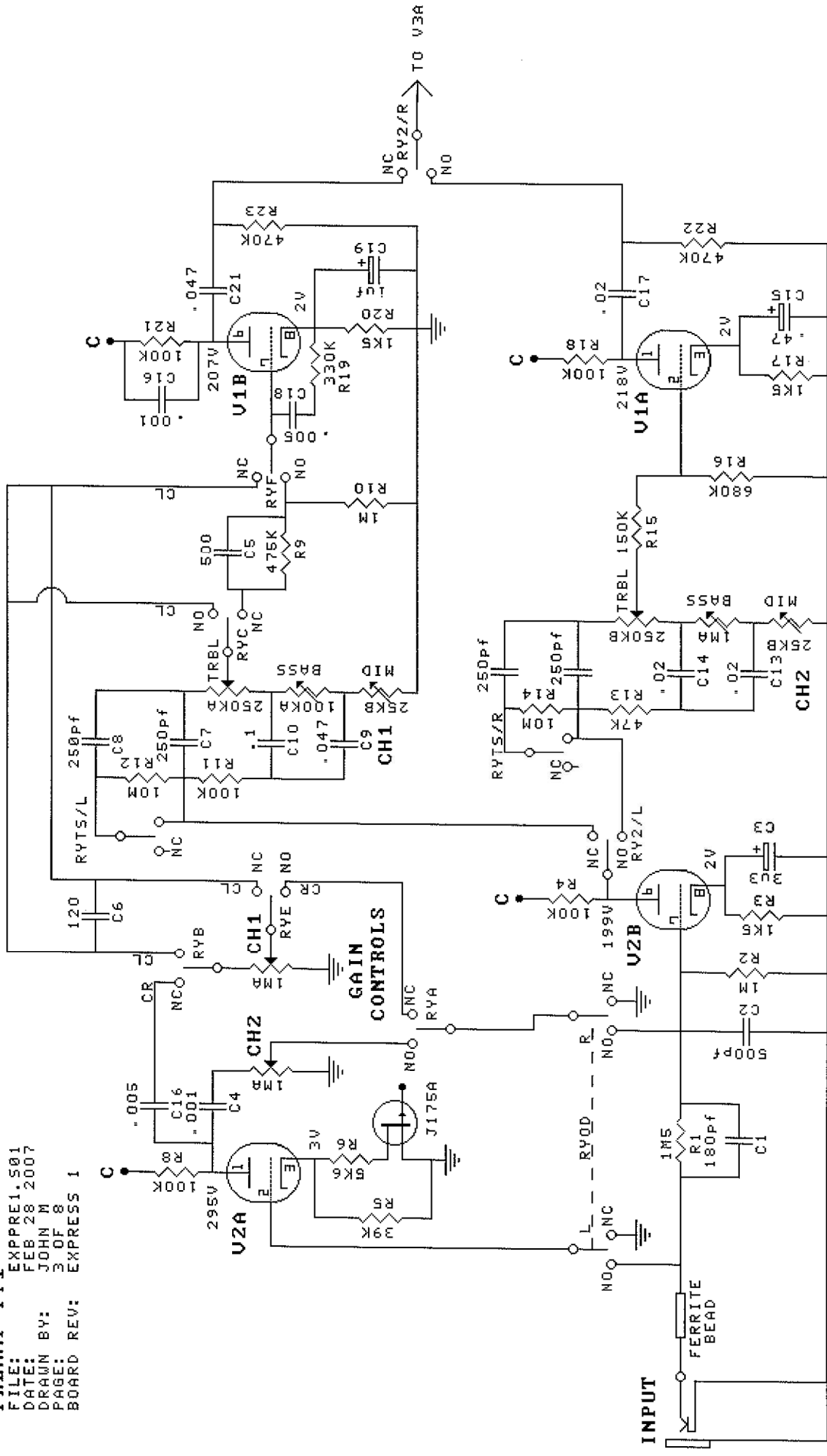


MESA/BOOGIE

EXPRESS 5:25, 5:50

PREAMP PT1

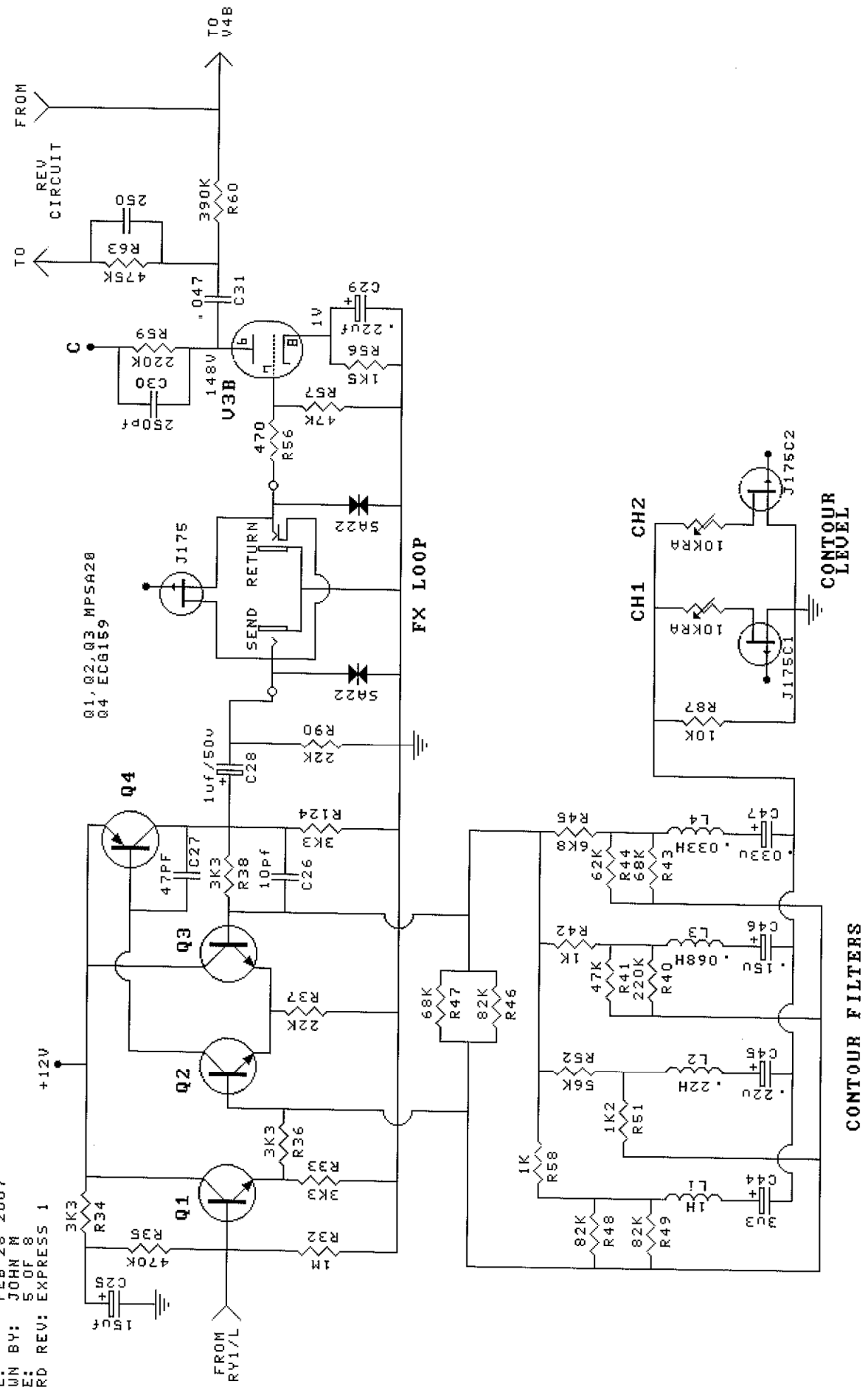
FILE: EXPRE1.S01
 DATE: FEB 28 2007
 DRAWN BY: JOHN M
 PAGE: 3 OF 8
 BOARD REV: EXPRESS 1



PREAMP CIRCUIT
 PATENT #4,701,957

MESA/BOOGIE EXPRESS 5:25, 5:50

CONTOUR/LOOP
 FILE: EXPLP.S01
 DATE: FEB 28 2007
 DRAWN BY: JOHN M
 PAGE: 5 OF 8
 BOARD REV: EXPRESS 1

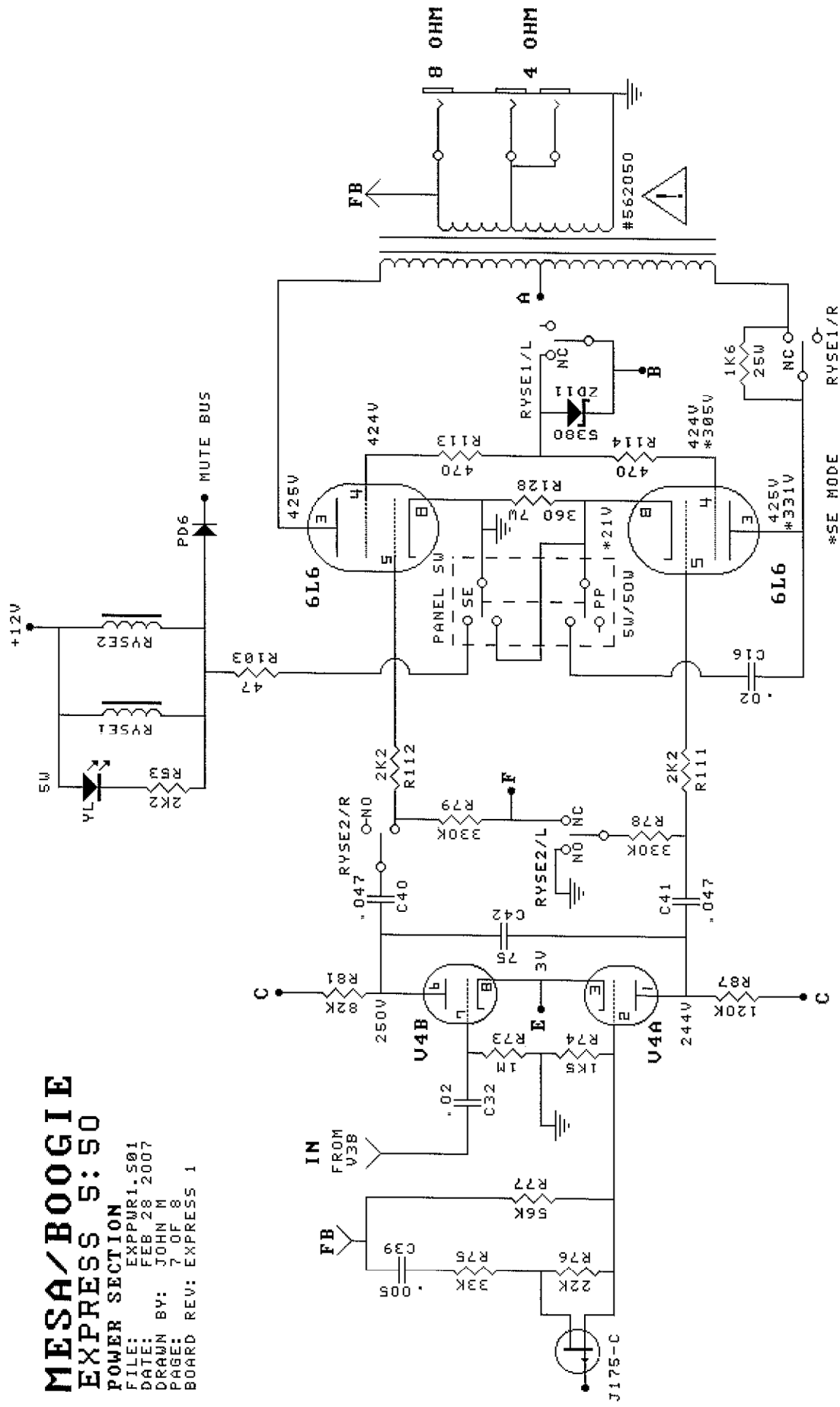


Q1, Q2, Q3 MP5A20
 Q4 ECG159

MESA/BOOGIE EXPRESS 5:50

POWER SECTION

FILE: EXPPWR1.S01
DATE: FEB.28.2007
DRAWN BY: JOHN M
PAGE: 7 OF 8
BOARD REV: EXPRESS 1



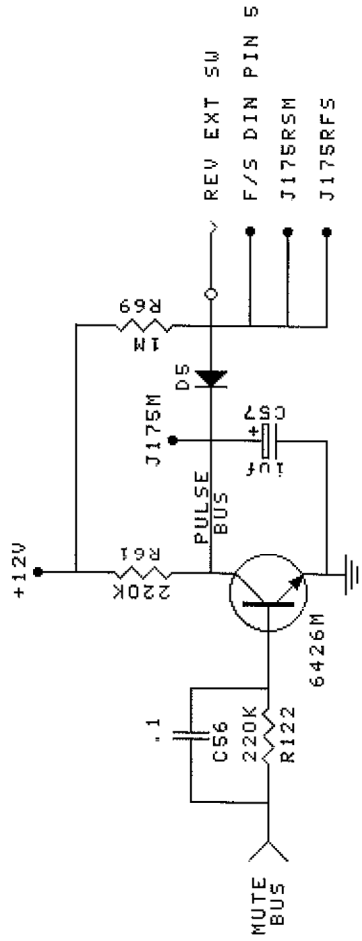
PUSH/PULL-SINGLE ENDED SWITCHING
PATENT GRANTED/NOT YET ISSUED

MESA/BOOGIE

EXPRESS 5:25, 5:50

SWITCH MATRIX

FILE: EXPSU1.501
 DATE: FEB 28 2007
 DRAWN BY: JOHN M
 PAGE: 8 OF 8
 BOARD REV: EXPRESS 1



MUTE CIRCUIT

PATENT #6,621,907

