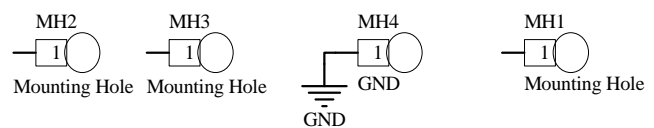
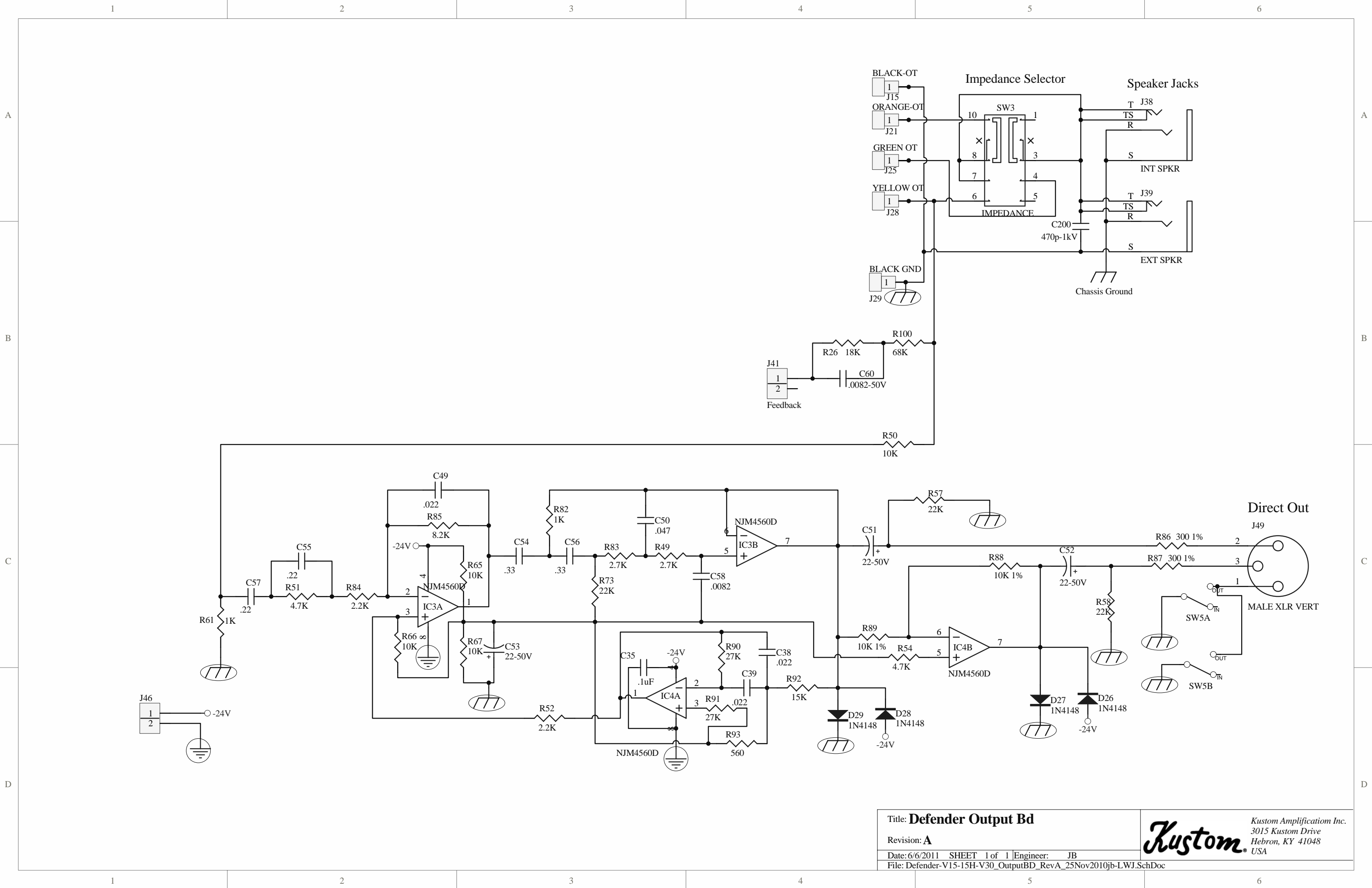


NetC15 -	JMP5	NetC1 +	JMP10
	20mm		12.5mm
NetV1_4	JMP4	V2+	JMP9
	10mm		10mm
V2+	JMP3	Screen	JMP8
	7.5mm		7.5mm
NetC15 -	JMP2	GND	JMP7
	15mm		10mm
NetR9_1	JMP1	GND	JMP6
	10mm		15mm
		NetC1 -	JMP12
			7.5mm
		NetC1 -	JMP11
			10mm



Title: **15H Guitar Amp**  
 Revision: **B**  
 Date: 6/6/2011 SHEET 1 of 1 | Engineer: JWB/JRA  
 File: Defender15H Main Board RevB 30Mar2011 JA LWJ.SchDoc

*Kustom* Amplification Inc.  
 3015 Kustom Drive  
 Hebron, KY 41048  
 USA



Title: **Defender Output Bd**

Revision: **A**

Date: 6/6/2011 SHEET 1 of 1 Engineer: JB

File: Defender-V15-15H-V30\_OutputBD\_RevA\_25Nov2010jb-LWJ.SchDoc

*Kustom*  
 Kustom Amplification Inc.  
 3015 Kustom Drive  
 Hebron, KY 41048  
 USA