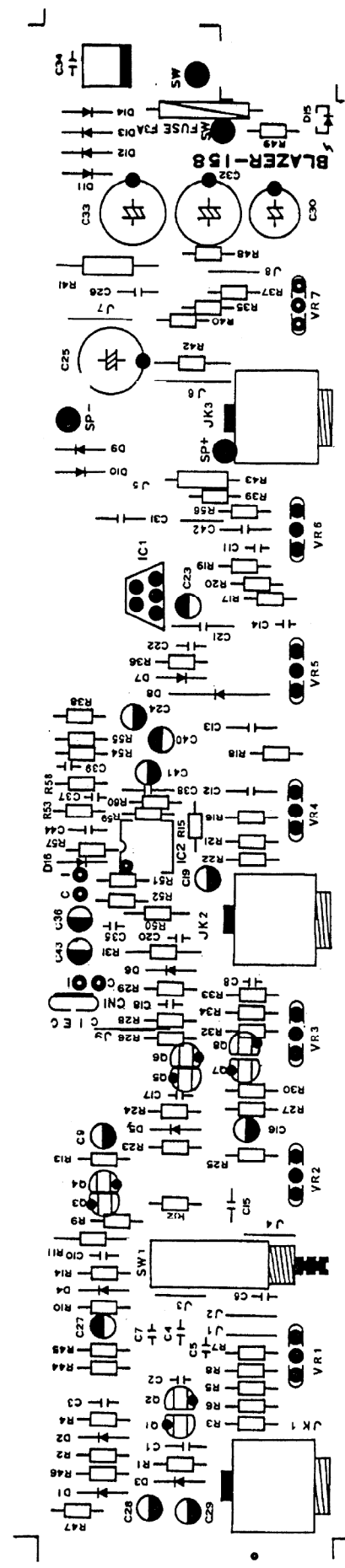
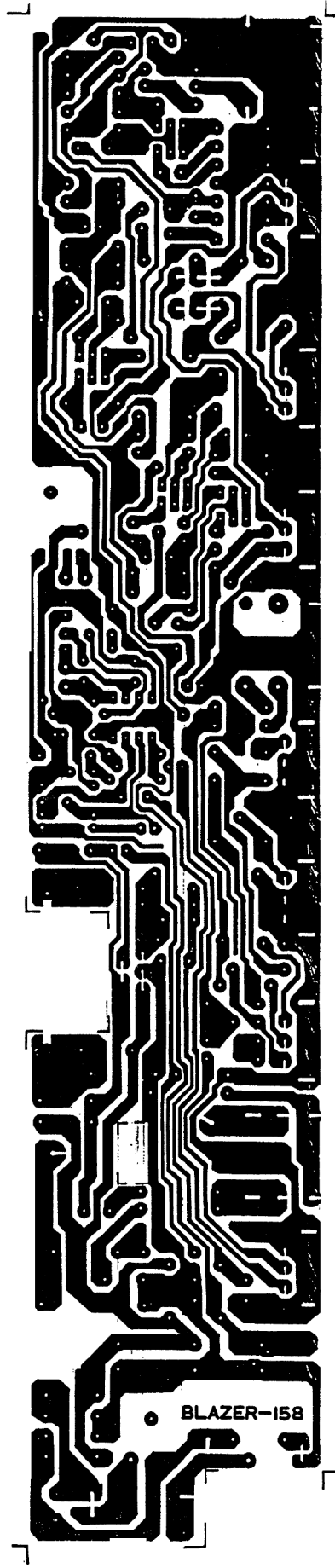


Peavey Electronics  
Meridian, MS

Size	Number	Revision
A	BLAZER-158	
B		
C		
D		
E		
F		
G		
H		
I		
J		
K		
L		
M		
N		
O		
P		
Q		
R		
S		
T		
U		
V		
W		
X		
Y		
Z		

Sheet of  
Drawn By  
Circuit Board: 158 PCB

16-Nov-1999  
Date



Peavey Electronics Corp.  
Meridian, MS