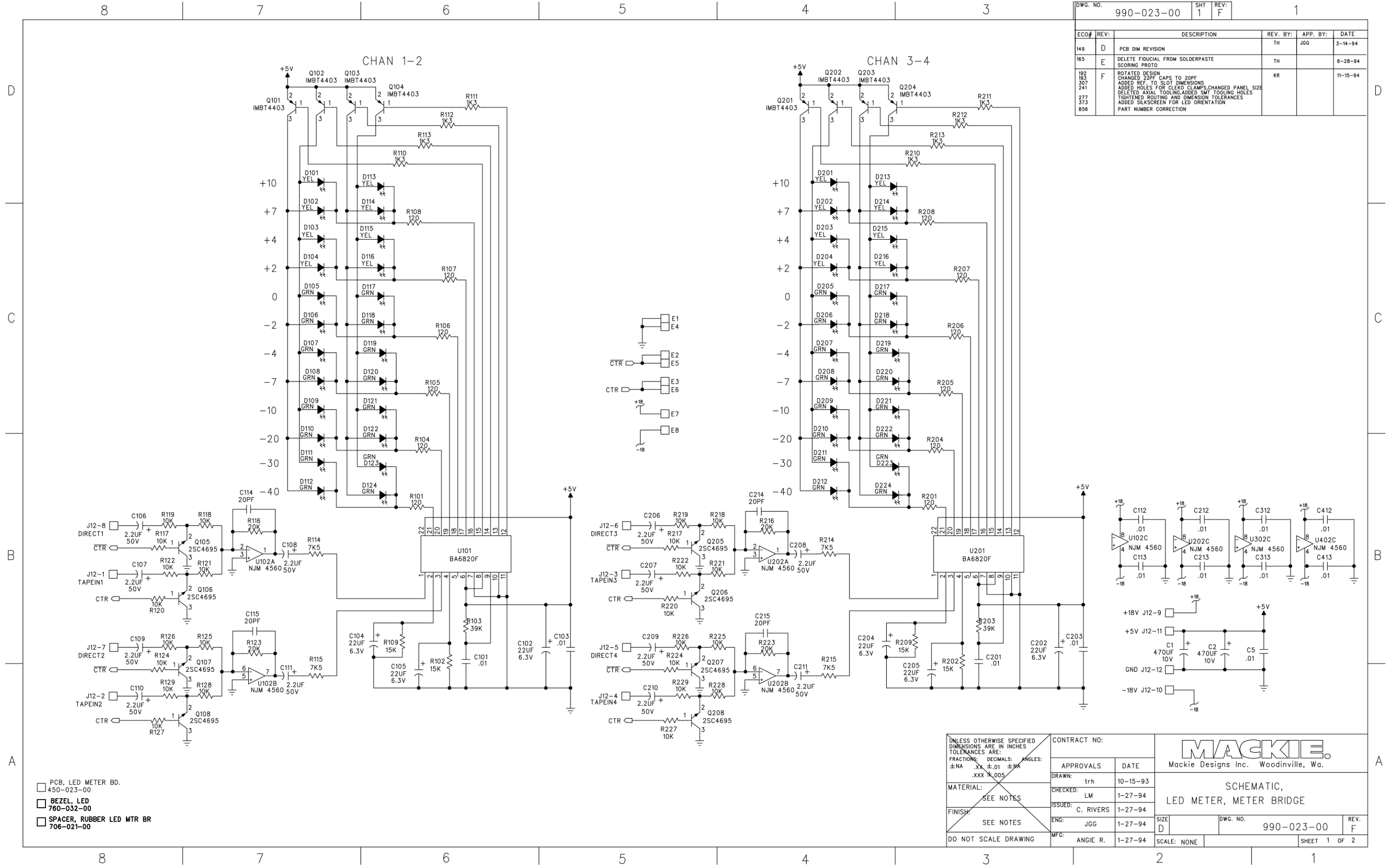


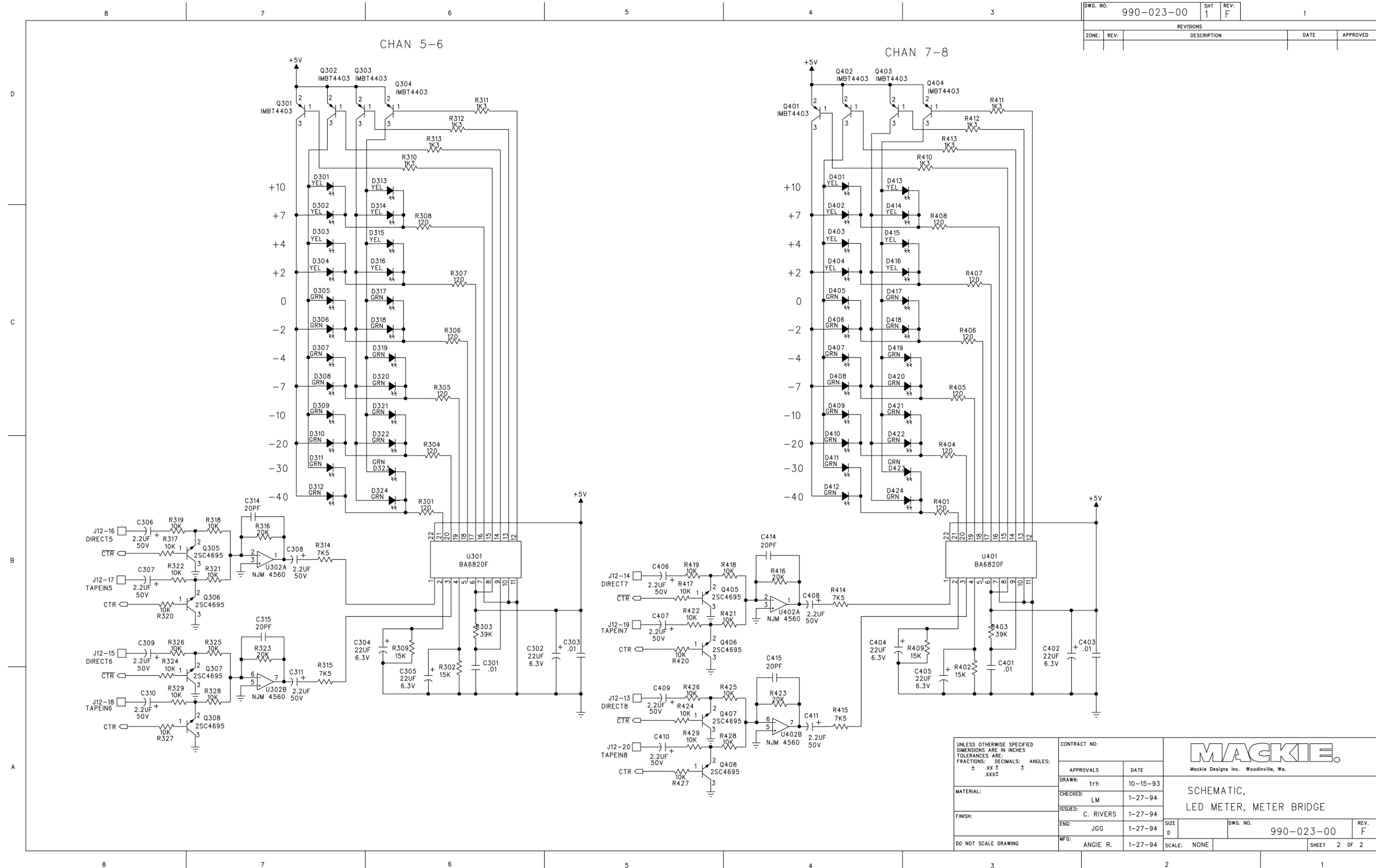
| | | | | | | |
|----------|------------|--|----------|----------|----------|---|
| DWG. NO. | 990-023-00 | SHT | 1 | REV: | F | 1 |
| ECO# | REV: | DESCRIPTION | REV. BY: | APP. BY: | DATE | |
| 149 | D | PCB DIM REVISION | TH | JGG | 3-14-94 | |
| 165 | E | DELETE FIDUCIAL FROM SOLDERPASTE SCORING PRGTO | TH | | 6-28-94 | |
| 182 | F | ROTATED DESIGN | KR | | 11-15-94 | |
| 193 | | CHANGED 22PF CAPS TO 20PF | | | | |
| 307 | | ADDED REF. TO SLOT DIMENSIONS | | | | |
| 241 | | ADDED HOLES FOR CLEKO CLAMPS, CHANGED PANEL SIZE | | | | |
| 277 | | DELETED AXIAL TOOLING, ADDED SMT TOOLING HOLES | | | | |
| 373 | | TIGHTENED ROUTING AND DIMENSION TOLERANCES | | | | |
| 856 | | ADDED SILKSCREEN FOR LED ORIENTATION | | | | |
| | | PART NUMBER CORRECTION | | | | |



- PCB, LED METER BD.
450-023-00
- BEZEL, LED
760-032-00
- SPACER, RUBBER LED MTR BR
706-021-00

| | | | | |
|---|--------------|-------------|---------------------------------------|------|
| UNLESS OTHERWISE SPECIFIED DIMENSIONS ARE IN INCHES TOLERANCES ARE: FRACTIONS: .XX ±.01 ±.005 DECIMALS: .XXX ±.005 ANGLES: MATERIAL: SEE NOTES FINISH: SEE NOTES DO NOT SCALE DRAWING | CONTRACT NO: | | Mackie Designs Inc. Woodinville, Wa. | |
| | APPROVALS | DATE | | |
| | DRAWN: trh | 10-15-93 | SCHEMATIC, LED METER, METER BRIDGE | |
| | CHECKED: LM | 1-27-94 | | |
| ISSUED: C. RIVERS | 1-27-94 | SIZE | DWG. NO. | REV. |
| ENG: JGG | 1-27-94 | D | 990-023-00 | F |
| MFG: ANGIE R. | 1-27-94 | SCALE: NONE | SHEET 1 OF 2 | |

| REVISIONS | | | | |
|-----------|------|-------------|------|----------|
| ZONE: | REV: | DESCRIPTION | DATE | APPROVED |
| | | | | |



| | | | | | |
|--|--|--------------|--|--|------------|
| UNLESS OTHERWISE SPECIFIED DIMENSIONS ARE IN INCHES TOLERANCES ARE: FRACTIONS: DECIMALS: ANGLES: ± .xx ± ± .xxx ± | | CONTRACT NO: | | Mackie Designs Inc. Woodinville, Wa. | |
| APPROVALS | | DATE | | | |
| DRAWN: trh | | 10-15-93 | | SCHEMATIC, LED METER, METER BRIDGE | |
| CHECKED: LM | | 1-27-94 | | | |
| ISSUED: C. RIVERS | | 1-27-94 | | | |
| ENG: JGG | | 1-27-94 | | | |
| MFG: ANGIE R. | | 1-27-94 | | SIZE | DWG. NO. |
| DO NOT SCALE DRAWING | | SCALE: NONE | | D | 990-023-00 |
| | | | | REV. | F |
| | | | | SHEET | 2 OF 2 |

