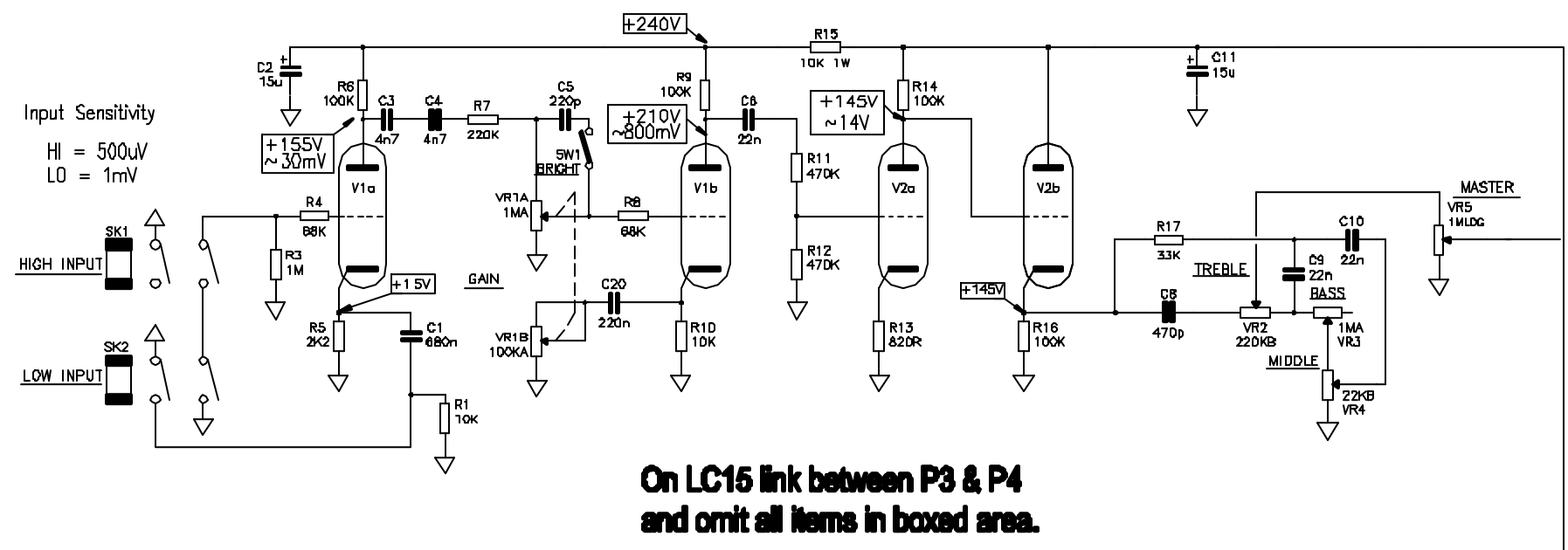
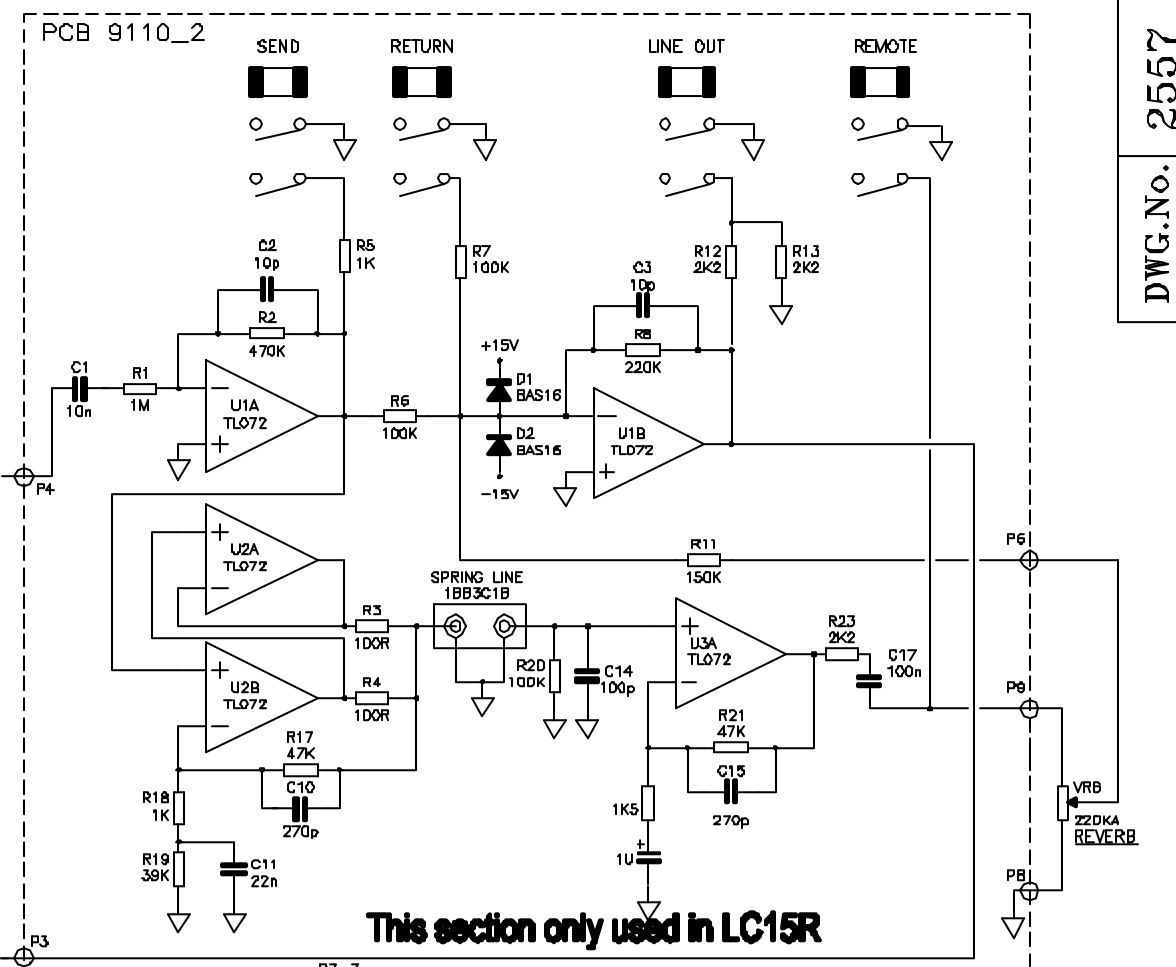


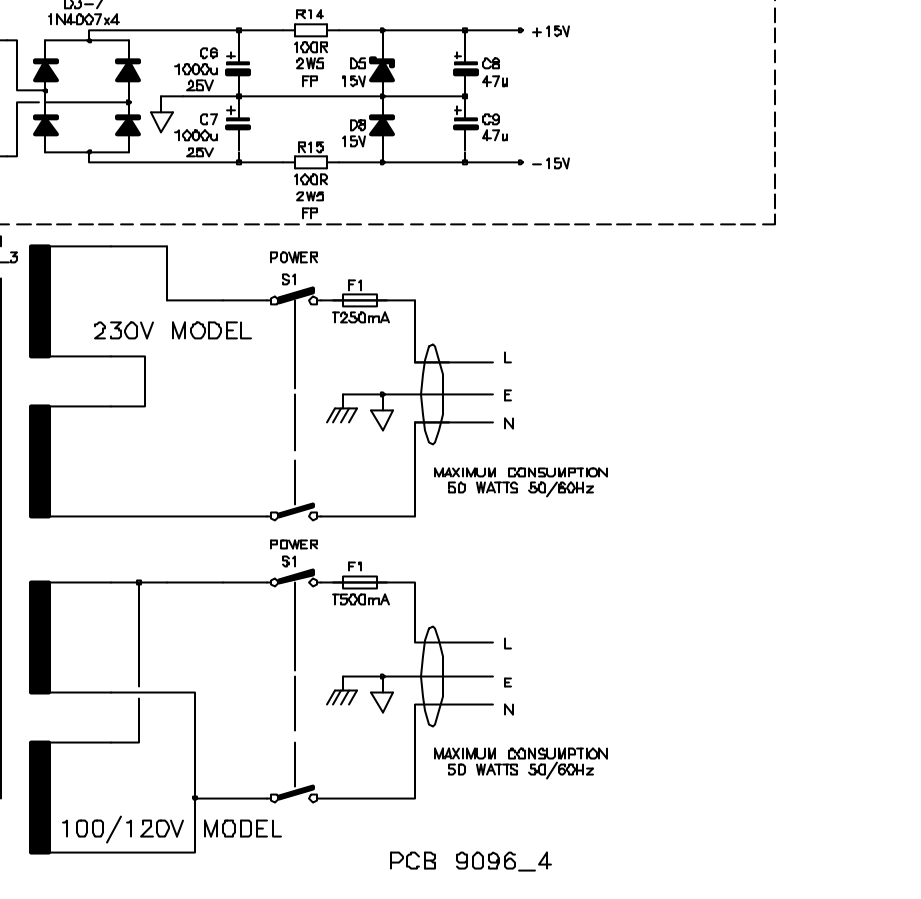
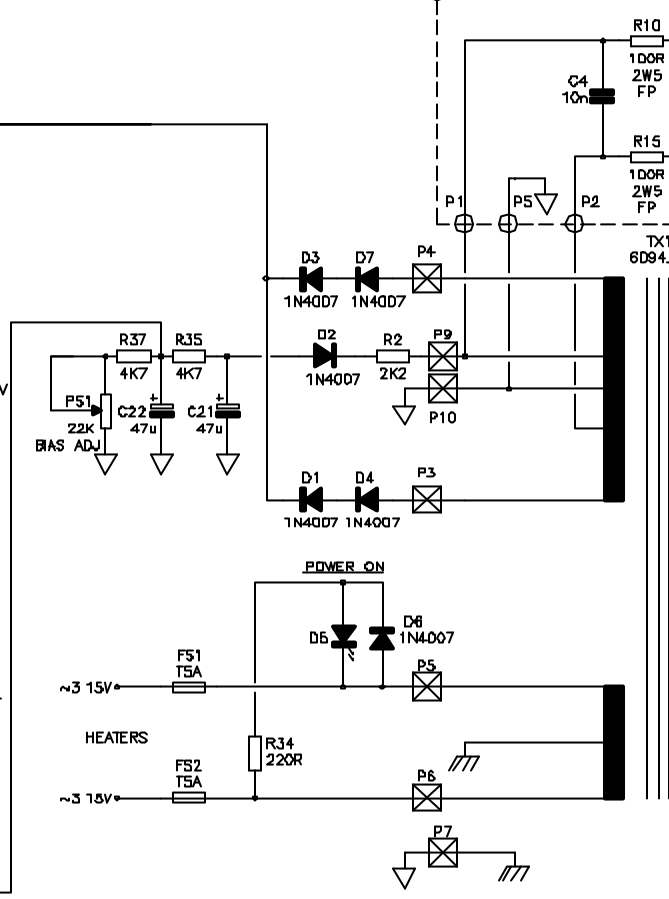
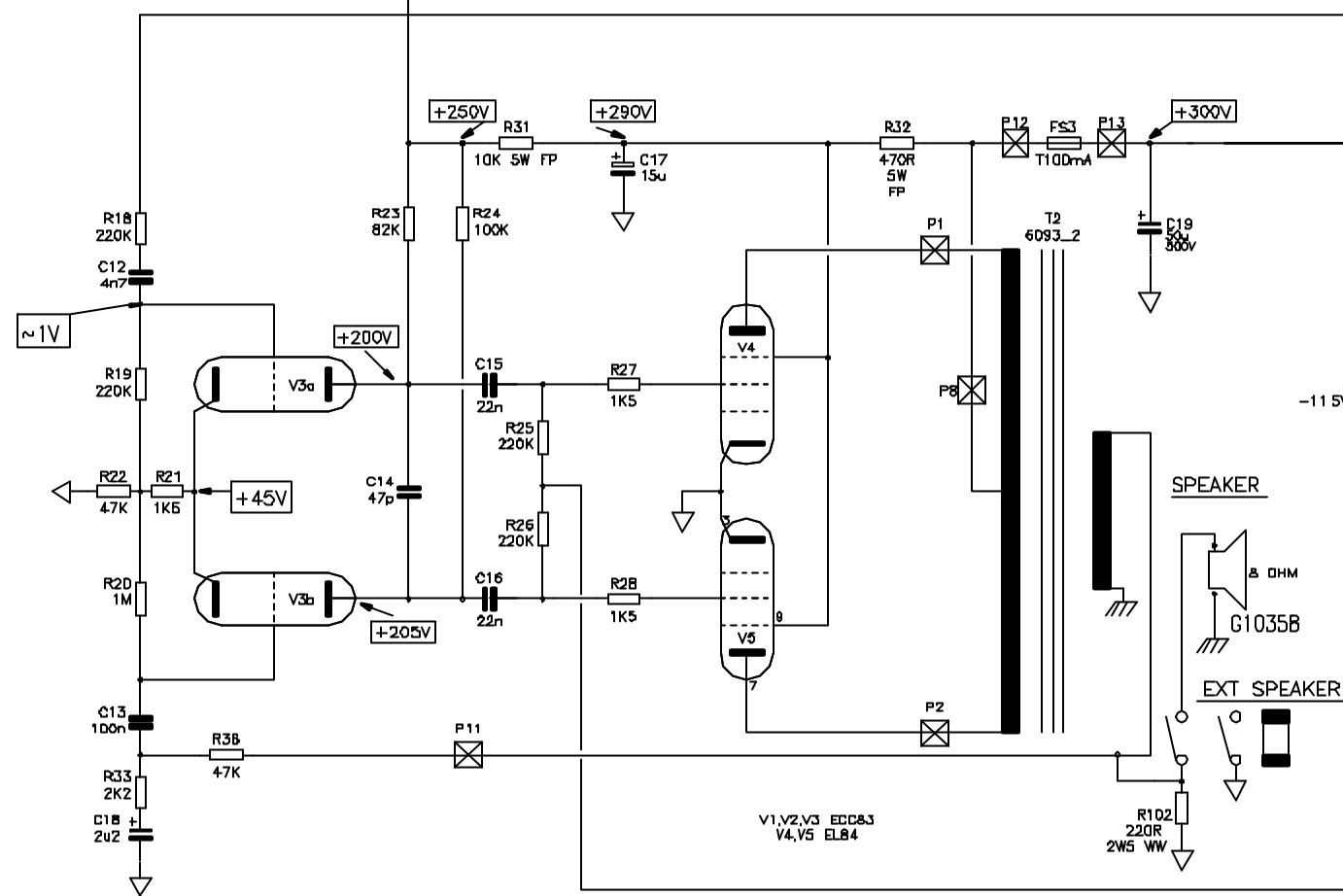
Input sensitivity = Gain & Eq up full, Master set to No.5



On LC15 link between P3 & P4 and omit all items in boxed area.



This section only used in LC15R



ISSUE	DESCRIPTION	APPD.	DATE	TITLE	DRAWN	TRACED	CHECKED	APPROVED	DATE
				LC15 / LC15R CIRCUIT PART No	D.E.H.				19/02/97
					DRAWING No.		2557		

LANEY