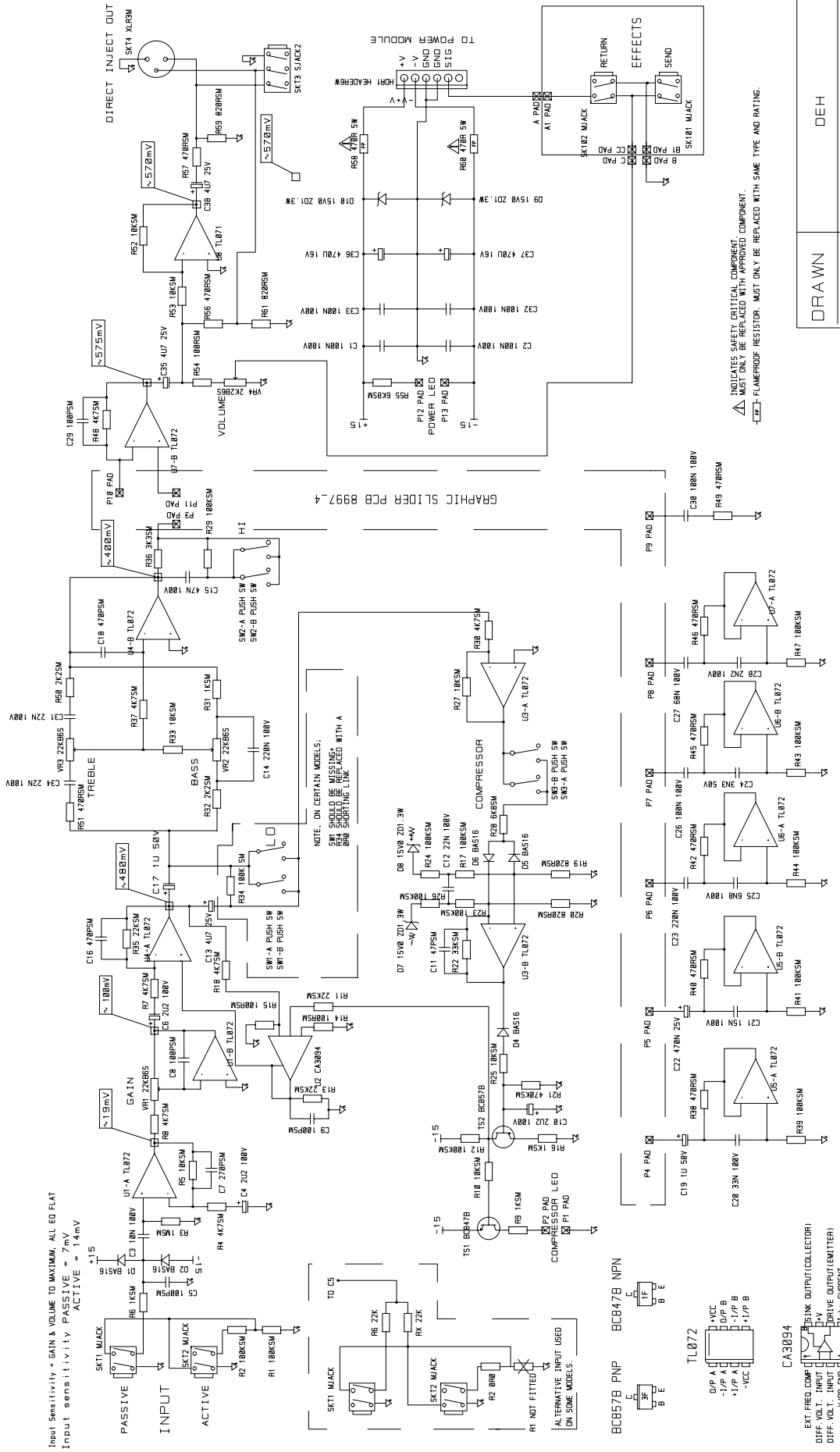


DRAWN	DEH
DATE	09/11/94
TITLE	GFX SLIDER BOARD
DRW. NO.	8997_4

ISSUE

TYPE

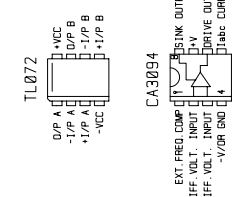
Input sensitivity * GAIN & VOLUME TO MAXIMUM, ALL EQ FLAT
 Input sensitivity PASSIVE = 7mV
 ACTIVE = 14mV



GRAPHIC SLIDER PCB 8997.4

NOTE: ON CERTAIN MODELS:
 SW-A SHOULD BE WIRING
 SW-B SHOULD BE WIRING
 SW-B SHORTING LINK

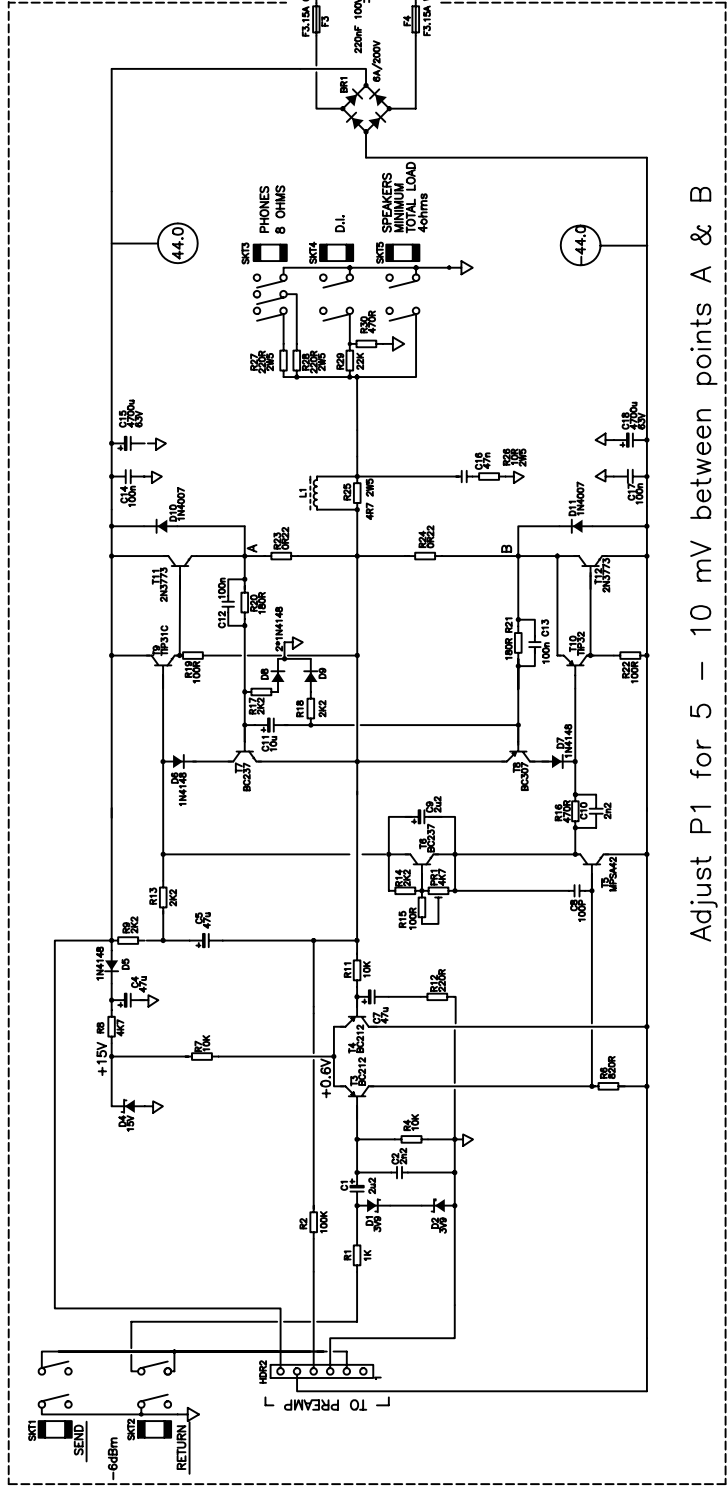
INDICATES SAFETY CRITICAL COMPONENT.
 MUST ONLY BE REPLACED WITH APPROVED COMPONENT.
 FLAMEPROOF RESISTOR, MUST ONLY BE REPLACED WITH SAME TYPE AND RATINGS.



DRAWN	DEH
DATE	12/3/99
TITLE	GRAPHIC BASS PREAMP
DRW. NO.	9057_3

ISSUE	ISSUE 3 24/02/98
TYPE	FX SOCKETS ADDED

USED IN :- BC- 120



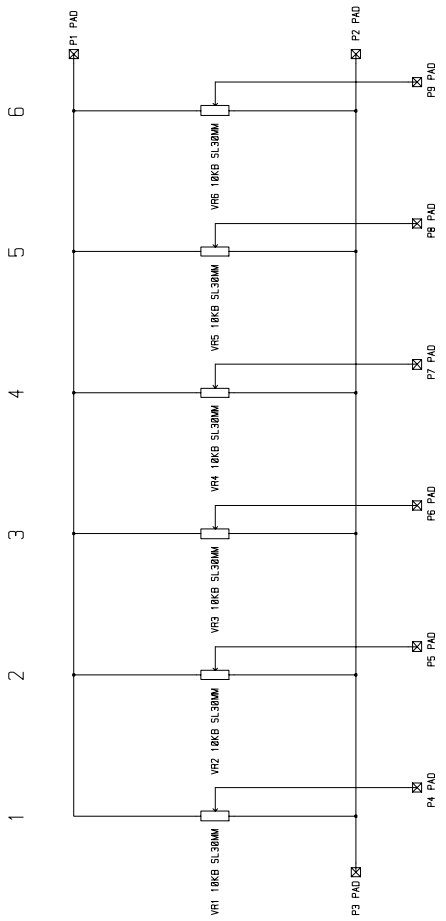
Adjust P1 for 5 - 10 mV between points A & B

DRAWN	TRACED	CHECKED	APPROVED	DATE
S.L.				30/08/94
DRAWING No.				2317

TITLE	
120 WATT OUTPUT BOARD No. 8991 PART No	

ISSUE	DESCRIPTION	APPD. DATE
	220Vr Added across Tx secondary This should be isolated directed to the underside of the pcb	11/02/98

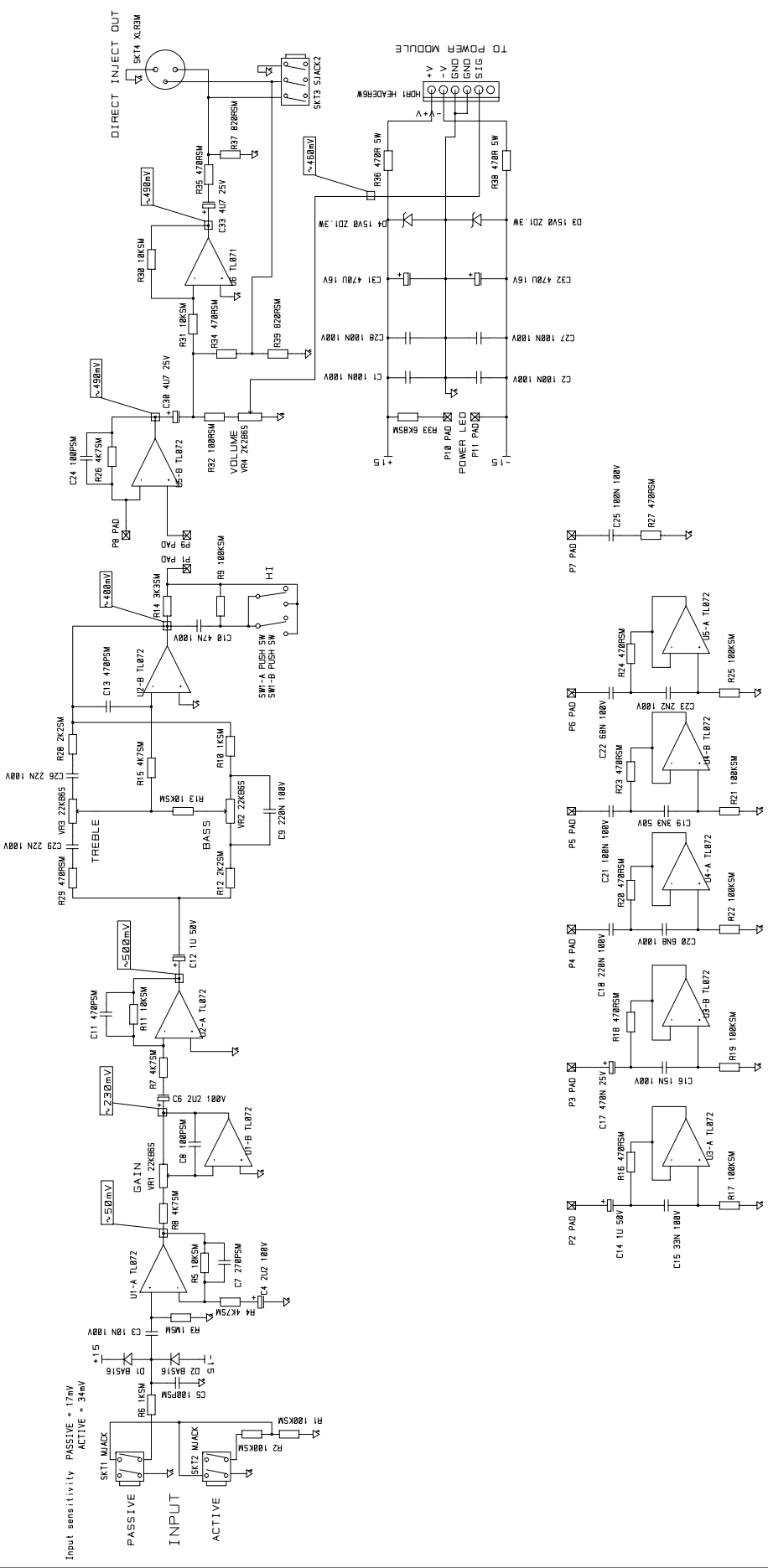
LANEY



DRAWN	DEH
DATE	09/11/94
TITLE	GFX SLIDER BOARD
DRW. NO.	8997_4

ISSUE

TYPE



Input sensitivity = GAIN & VOLUME TO MAXIMUM, ALL EQ SET FLAT

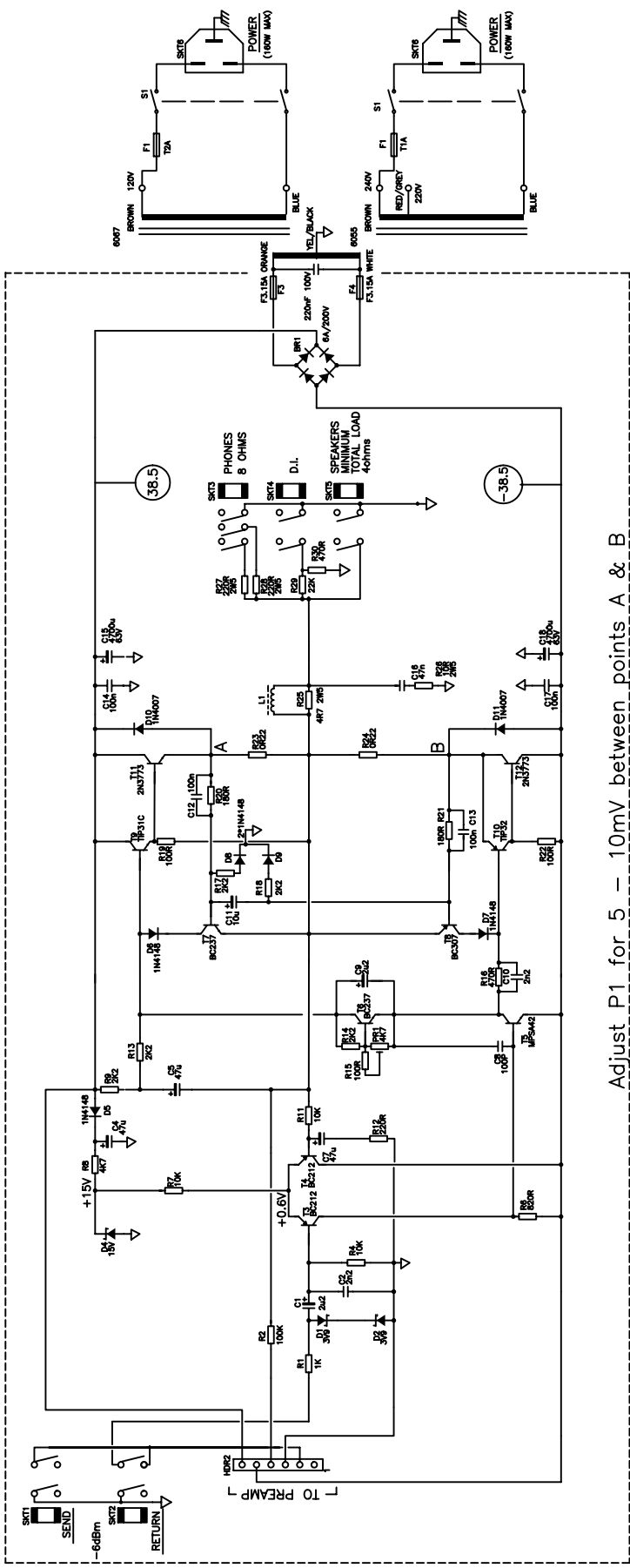
DRAWN	DEH
DATE	16/03/94
TITLE	LBC75 PREAMP
DRW. NO.	9063

ISSUE 10/06/94 CHANGE R11 TO 10KSM FROM 22KSM

TYPE

USED IN :- BC-75

DWG.No. 2318



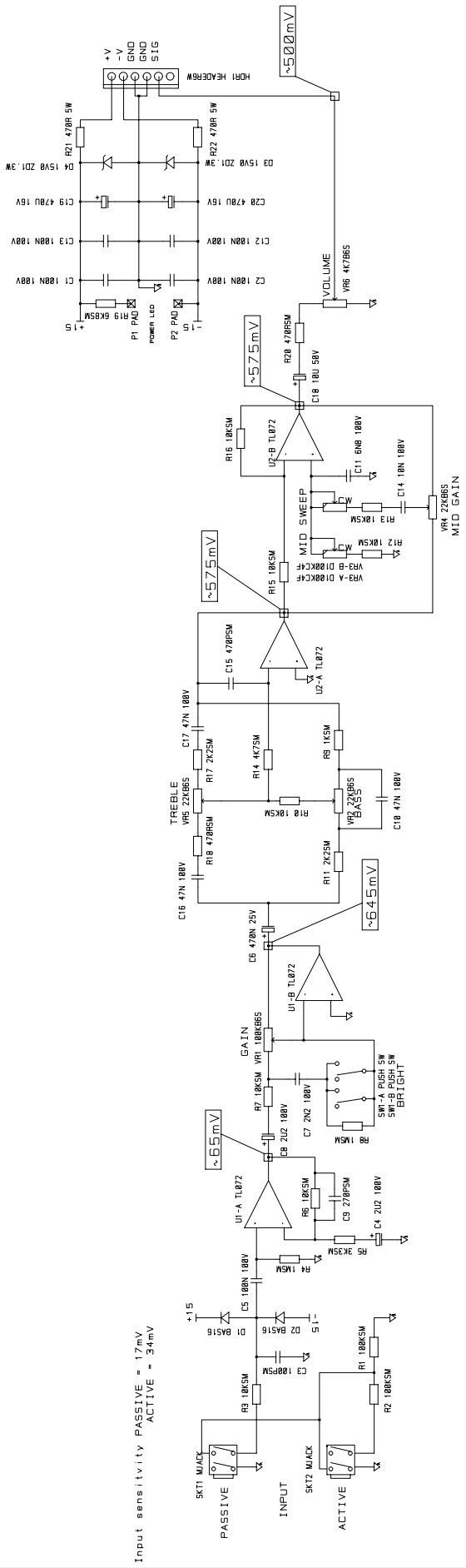
Adjust P1 for 5 - 10mV between points A & B

DRAWN	TRACED	CHECKED	APPROVED	DATE
S.L.				30/08/94
DRAWING No.				2318

TITLE	80 WATT OUTPUT BOARD No. 8991 PART No
-------	---------------------------------------

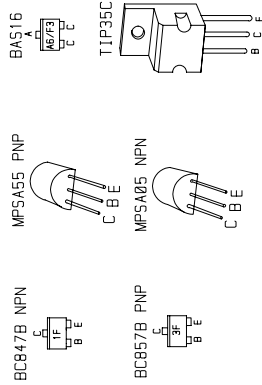
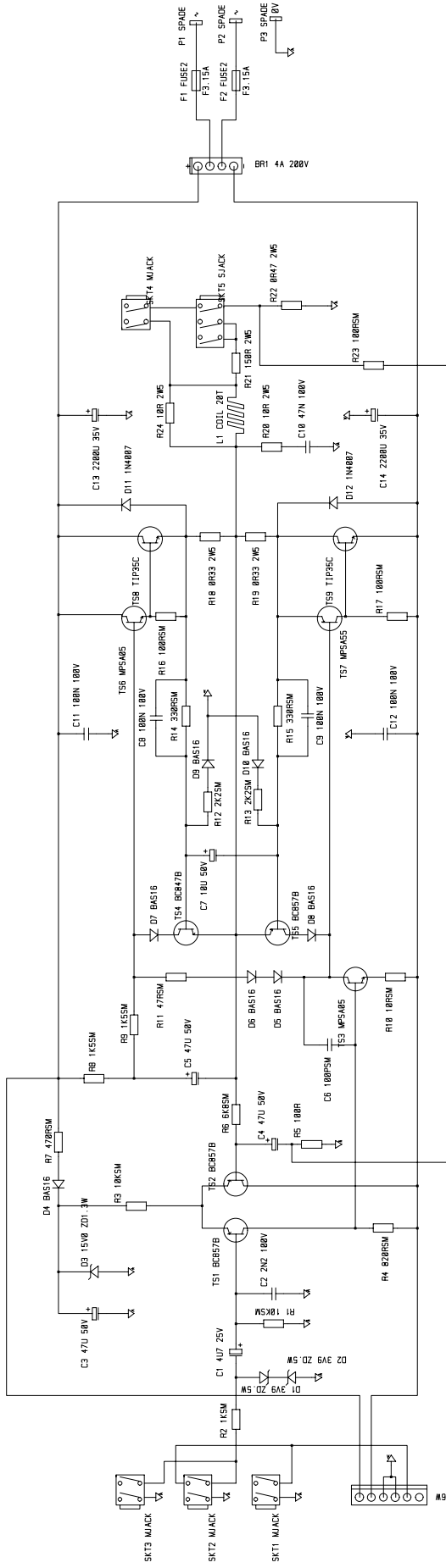
ISSUE	DESCRIPTION	APPD.	DATE
	200w Audio ampere TV Secondary		
	Refered to the back of the pcb		

LANEY



Input sensitivity = GAIN AND VOLUME TO MAXIMUM EQ SET TO FLAT

DRAWN	DEH						
DATE	09/03/94						
TITLE	LBC50 PREAMP						
DRW. NO.	9056_2						

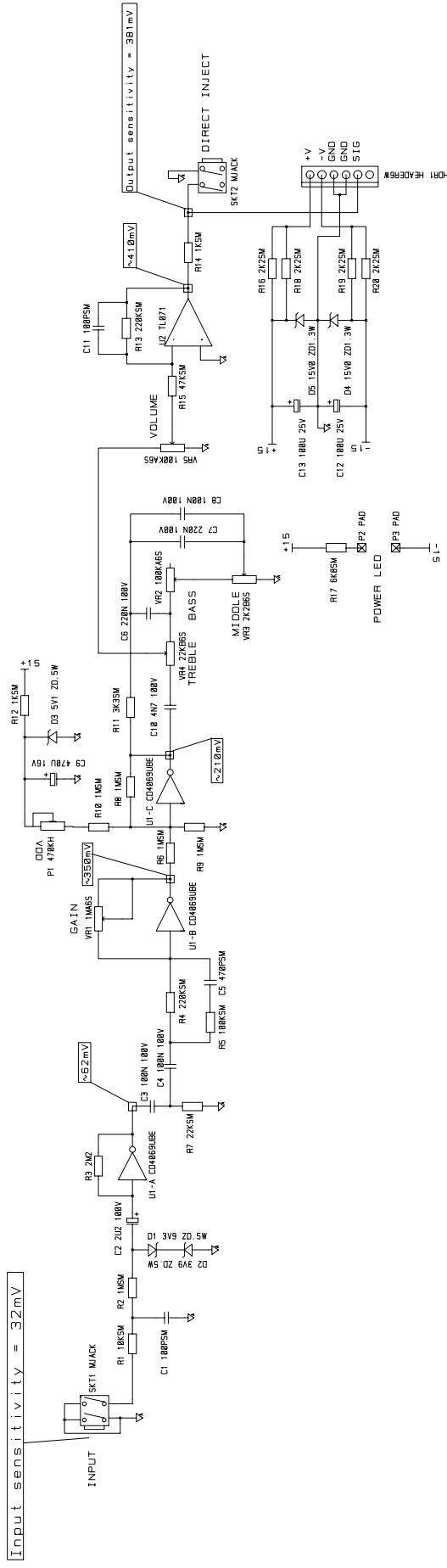


DRAWN	DEH
DATE	15/3/99
TITLE	50-65W OUTPUT MODULE
DRW. NO.	9074_2

NOTE: - BASIS VERSION R5-220R R22-LINK C13/14+3300U

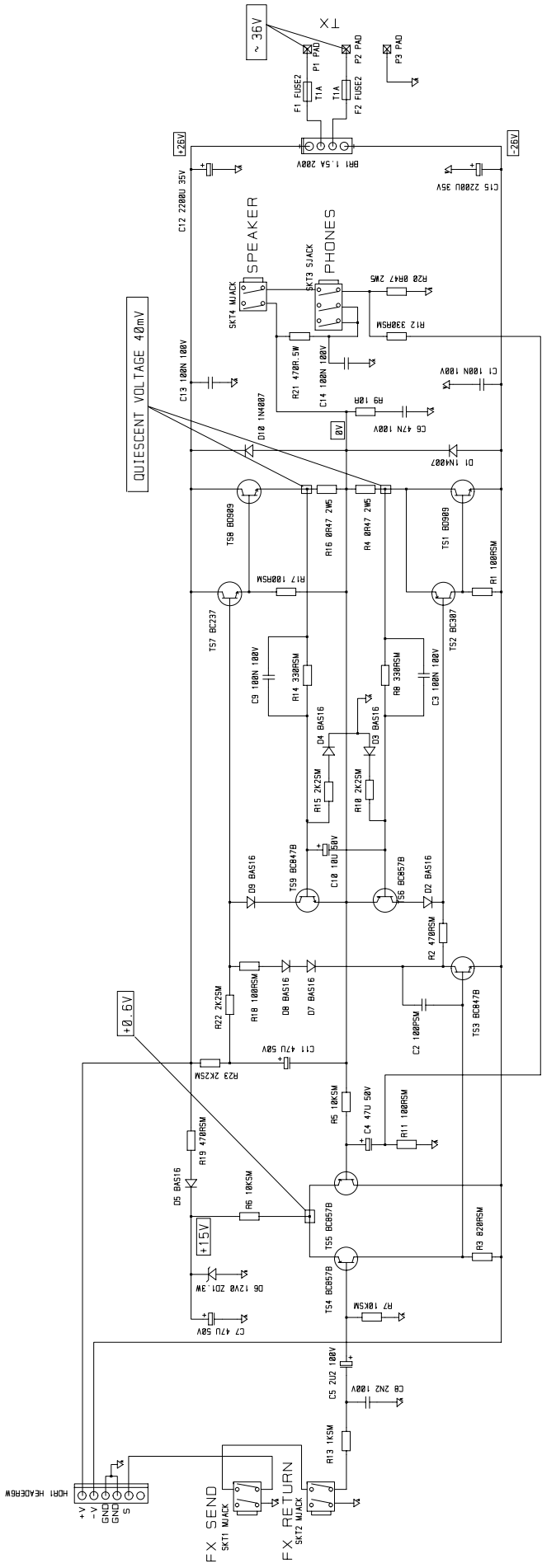
ISSUE

TYPE



Input sensitivity = GAIN, MID, TREBLE & VOLUME TURNED UP FULL

DRAWN	DEH
DATE	14/03/94
TITLE	LBC30 PREAMP
ISSUE	
TYPE	
DRW. NO.	9055_2



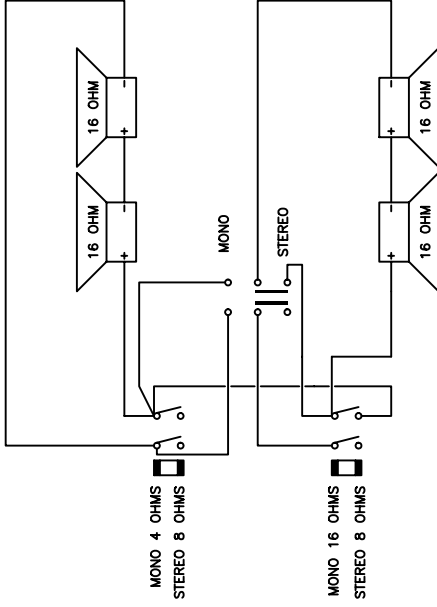
DRAWN	DEH
DATE	14/03/94
TITLE	LGC/LBC30 OUTPUT
DRW. NO.	9059_2

ISSUE	R14, 15, 100R TO 330R 22/04/94 DEH
TYPE	



2063

DWG.No.



ISSUE	DESCRIPTION	APPD. DATE	TITLE	DRAWN	TRACED	CHECKED	APPROVED	DATE
			Stereo 4 * 12 Switching Circuit	D.E.H.				14/07/92
			PART No	DRAWING No.				2063

LANEY

Stereo 4 * 12
Switching Circuit
PART No