

# JC - 120UT / JT SERVICE NOTES

## JAZZ CHORUS

*Second Edition*  
**Issued by RJA**

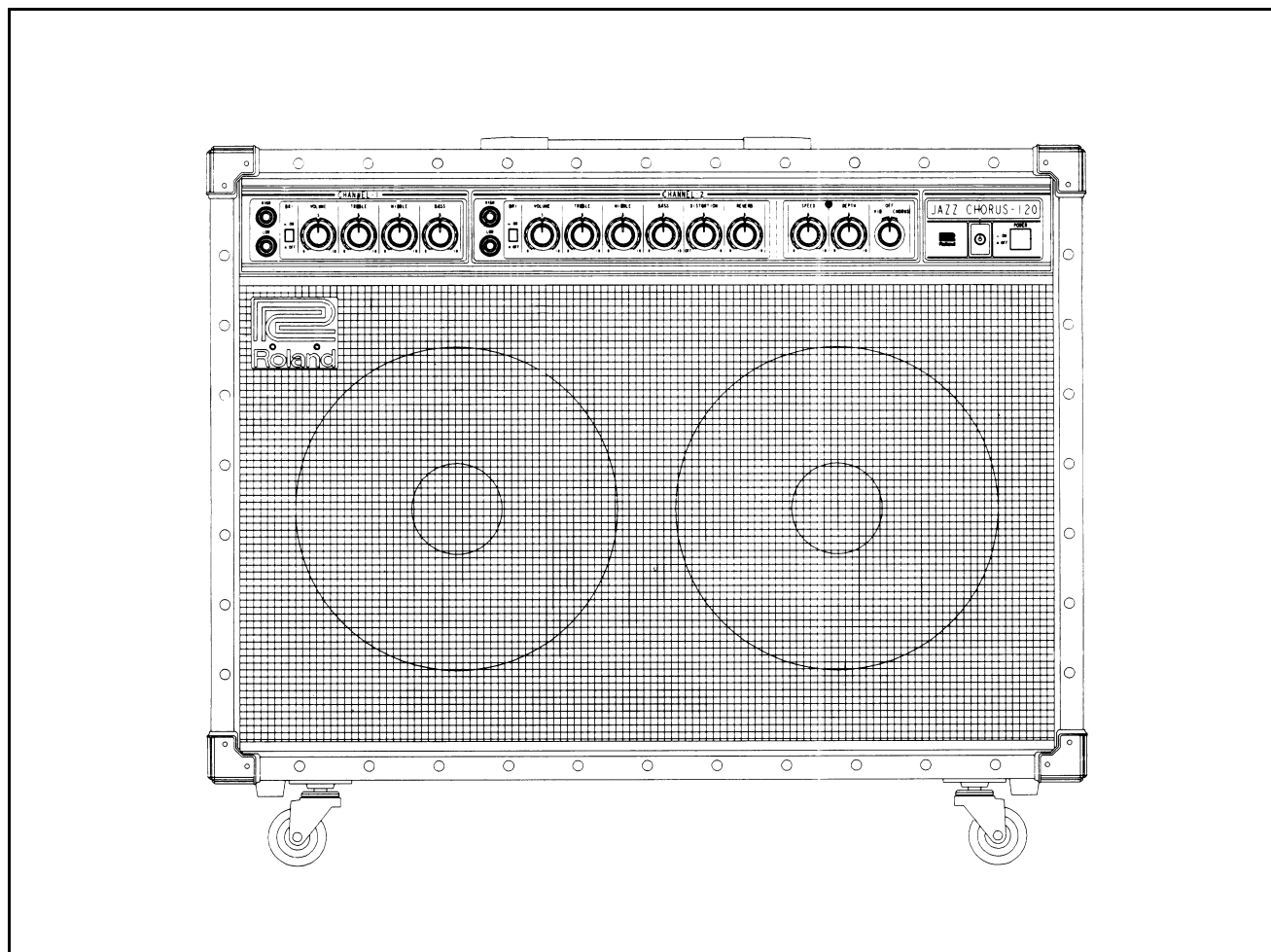
### SPECIFICATIONS

- Rated Power Output . . . . . : 120 W ( 60 W/ 8 ohm + 60 W/ 8 ohm )
- Nominal Input Level . . . . . : -30 dBμ ( 0 dBμ = 0.775 Vrms )
- Input Impedance . . . . . : 680 kohm
- Speakers . . . . . : SPEAKER 12-4782 ( G1208F01 ) (JC-120UT old type)  
 30-103D-3 (JC-120JT\*, JC-120UT New type)
- Controls . . . . . : CH1 : BRI(Bright) Switch, VOLUME Knob,  
 TREBLE Control Knob, MIDDLE Control Knob,  
 BASS Control Knob  
 : CH2 : BRI(Bright) Switch, VOLUME Knob,  
 TREBLE Control Knob, MIDDLE Control Knob,  
 BASS Control Knob, DISTORTION Knob,  
 REVERB Knob, Vibrato SPEED Knob,  
 Vibrato DEPTH Knob, VIB/OFF/CHORUS Switch,  
 CH2 EFFECT LOOP Switch(SERISE/PARALLEL),  
 CH2 EFFECT LOOP LEVEL Switch(-20dBm/+4dBm)  
 : POWER Switch
- Connectors . . . . . : CH1 INPUT Jacks(HIGH, LOW), CH2 INPUT Jacks(HIGH, LOW),  
 FOOT SWITCH Jacks(CHORUS/VIBRATO, REVERB, DISTORTION),  
 CH2 EFFECT LOOP SEND Jack,  
 CH2 EFFECT LOOP RETURN Jacks(L/MONO, R)  
 LINE OUT Jacks(L/MONO, R)
- Power Supply . . . . . : AC 100V, 117V, 230V, 240V
- Power Consumption . . . . . : 77W (AC 100V)  
 110W (AC 117V, 230V, 240V)
- Dimensions . . . . . : 760 (W) x 280 (D) x 622 (H) mm  
 29-15/16 (W) x 11-1/16 (D) x 24-1/2 (H) inches  
 (includes casters)
- Weight . . . . . : 31.2 kg/ 68 lbs 13 oz (JC-120UT)  
 28.0 kg/ 61 lbs 12 oz (JC-120JT)
- Accessories . . . . . : Owner's Manual English (17055085)  
 Japanese (17055084)  
 Caster x 4 (00677923)
- Options . . . . . : Footswitch FS-5L (BOSS)

\* NOTE: JC-120JT is sold in Japanese market only.

### TABEL OF CONTENTS

	Page
SPECIFICATIONS .....	1
LOCATION OF CONTROLS .....	2
HOW TO DISTINGUISH BETWEEN OLD TYPE AND NEW TYPE .....	2
EXPLODED VIEW .....	3
PARTS LIST.....	4, 5
PM BOARD ASSY CIRCUIT BOARD .....	6
PM BOARD ASSY CIRCUIT DIAGRAM .....	7
PA BOARD ASSY CIRCUIT BOARD.....	8
PA BOARD ASSY CIRCUIT DIAGRAM.....	9



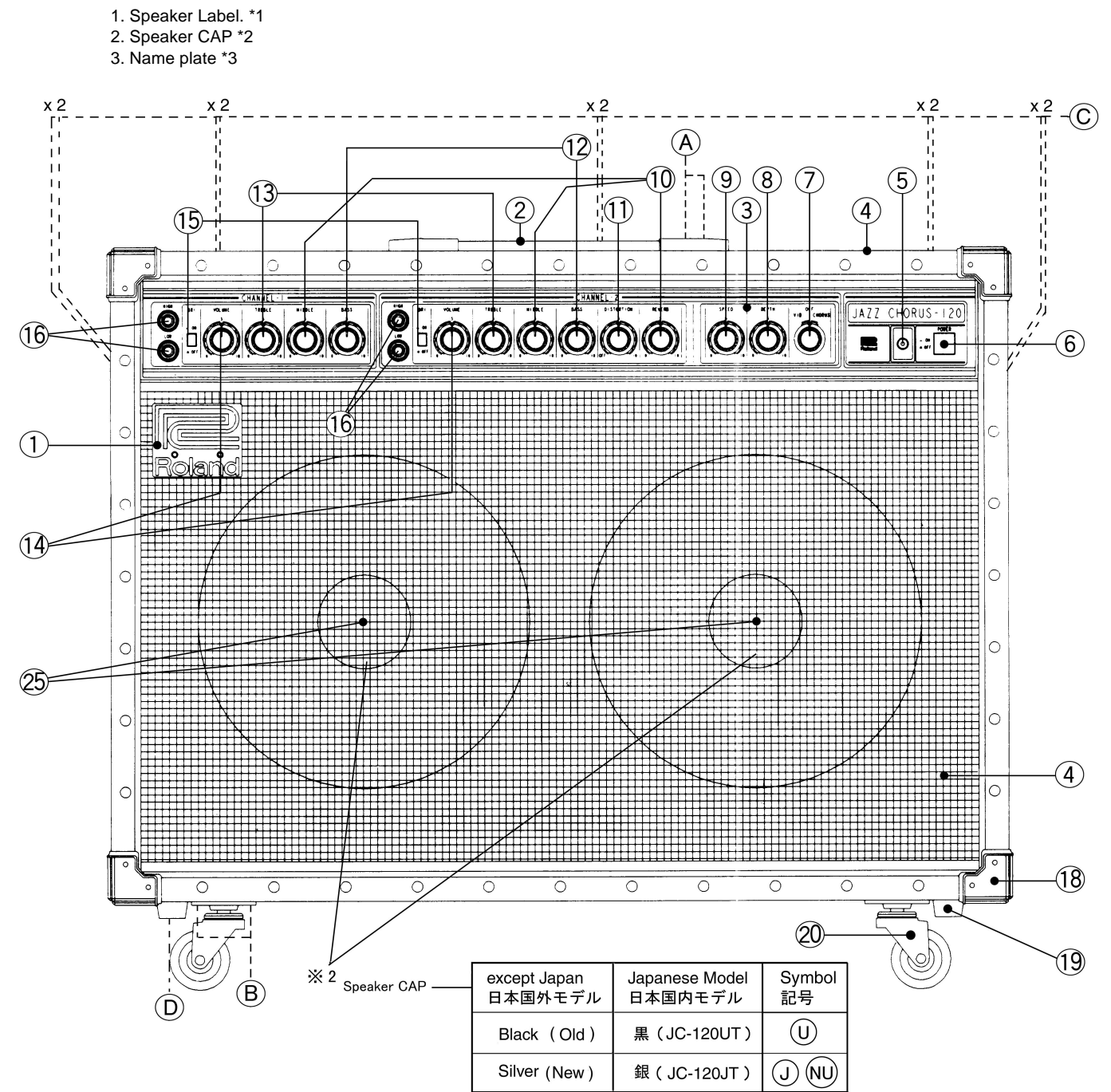
**Copyright ©2000 ROLAND CORPORATION**

All rights reserved. No part of this publication may be reproduced in any form without the written permission of ROLAND CORPORATION.

LOCATION OF CONTROLS

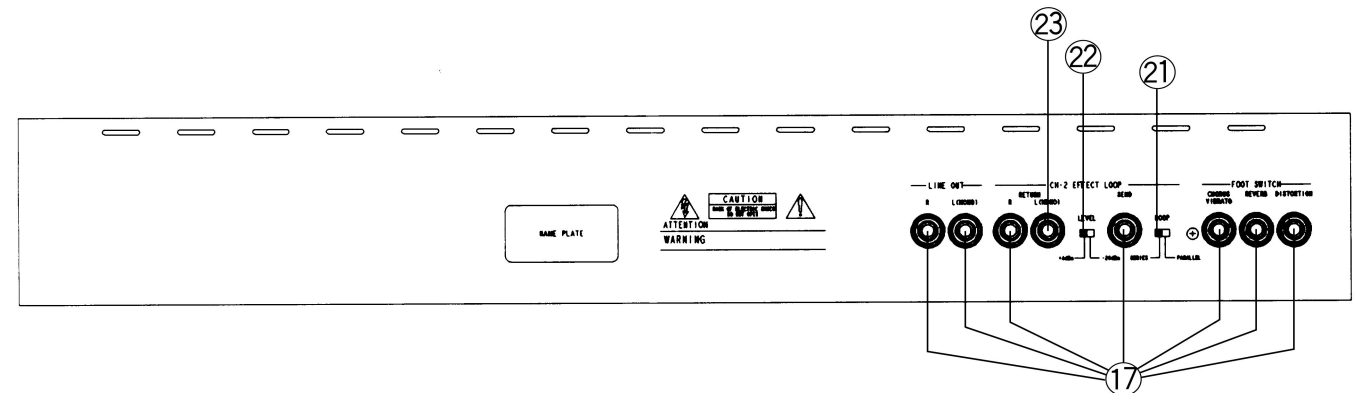
HOW TO DISTINGUISH BETWEEN OLD TYPE AND NEW TYPE

[PARTS]		
No.	PART No.	PART NAME
①	22510402	BADGE G.AMP 61
②	22310207	HANDLE H-40 + ESCHUTCHEON
③	G2817115	CHASSIS
④	00677890	CABINET ASSY (U) (NU)
	TE000027	CABINET ASSY (J)
⑤	F2247701	LED L-608 RED
⑥	13129160	AC PUSH SWITCH SDDL1-B-D-2 TV-5 5A/250V
	22495565	F S-BUTTON MX BLK
⑦	00122390	ROTARY SWITCH SRBM23N-F15-16
⑧	13289217	ROTARY POT. RK09L1120 100KB
⑨	13289235	ROTARY POT. RK09L1120 100KA
⑩	13289229	ROTARY POT. RK09L1120 10KB
⑪	00122312	ROTARY POT. RK0971111 10KC
⑫	00122301	ROTARY POT. RK09L1120 250KA
⑬	00122290	ROTARY POT. RK09L1120 250KB
⑭	00122289	ROTARY POT. RK09L1120 1MB
⑦-⑭	22485314	JC-KNOB
⑮	01782623	SWITCH SPUP128100
	00125612	U S-KEY MX1H DCG/WHT
⑯	13449149	JACK YKB21-5011
	2215075600	JACK NUT
⑰	13449290	JACK YKB21-5231
	2215075600	JACK NUT
⑱	22340202	PROTECTION CORNER
⑲	12359104	RUBBER FOOT (J)
	17055038	RUBBER FOOT LARGE BLACK (U) (NU)
⑳	00677923	CASTER 3020-11-SR + SOCKET (HARD 1/2)
㉑	13159178	SLIDE SWITCH SSSU12584A
㉒	13159169	SLIDE SWITCH SSSU14 12MM
㉓	13449261	JACK HLJ4306-01-3070
㉔	00677912	SPEAKER 12-4782 (G1208F01) (U)
	22410204	SPEAKER 30-103D-3/4 80HM (J) (NU)
A	17055105	SCREW #10-32x1 OVAL HEAD BZC PHILLIPS MACHINE (SCREW 00040) (U) (NU)
	TE910013	SCREW M5x30 OVAL MACHINE BC (J)
B	17055071	SCREW #10x1/2 INCH PHP SHEFT METAL ZU (U) (NU)
	TE930013	SCREW 4x20 TRUSS TAPPING AI BC (J)
C	40010601	ORIGINAL TRUSS MACHINE SCREW M5x35 BZC (fix CHASSIS to CABINET ASSY 10pcs)
D	17055108	SCREW #8x3/4 TRUSS HEAD WOOD (SCREW 00007) (U) (NU)
	TE930013	SCREW 4x20 TRUSS TAPPING AI (J)
(No numbers in figure)		
	17055040	8/32 LOCKING NUT (KEP NUT) (U) (NU) (fix SPEAKER to CABINET ASSY)
	40011767	FLANGE NUT M4 ZC (J)
	00677901	REAR BOARD (U) (NU)
	TE010001	REAR BOARD (J)
	40232001	SCREW #10-32x1 1/4 (INCH) (U) (NU) (fix REAR BOARD to CABINET ASSY)
	40010689	TRUSS TAPPING A 4x25 BZC (J)
	40231967	SPEAKER LABEL for 12 inch SPEAKER (U)
	40126301	SPEAKER LABEL (J)



Symbol	Sales area	※3 Model Name (Name Plate)	※2 Speaker CAP Speaker	※1 Speaker LABEL	Component Values on BOARD
(U)	Japanese Model	JC-120UT (Old)	Black 00677912	RAD Black Seal 40231967	(A)
(J)		JC-120JT	Silver 22410204	Roland Seal MADE IN JAPAN 40126301	(B)
(U)	except Japan	JC-120UT (Old)	Black 00677912	RAD Black Seal 40231967	(A)
(NU)		JC-120UT	Silver 22410204	RAD Orange Seal RAD New Code 17055160	(B)

Component Values on BOARD	CH1 BOARD		CH2 BOARD	
	C 7	C 9	C 6	C 16
(A) JC-120UT (Old)	# 15349367MO 220P	# 01893812 120P	# 15349367MO 220P	# 01893812 120P
(B) JC-120UT JC-120JT	# 13519628MO 330P	# 13519623MO 150P	# 13519628MO 330P	# 13519623MO 150P



# EXPLODED VIEW

**[PARTS]**

No.	PART No.	PART NAME
①	G2817115	CHASSIS
②	G2467407	HEATSINK
③	G245713501	TRANSFORMER 100V/117V
	G245713601	TRANSFORMER 230V/240V
④	G3497123	AC CORD VCTF 100V G349712301
	G349712401	AC CORD SJT 117V G349712402
	G3497125	AC CORD SY010 230V G349712501
	13499111	AC CORD 230VE G349712801
	G3497126	FC-305 240VA G349712601
⑤	22495565	F S-BUTTON MX BLK
⑥	F2247701	LED L-608 RED
⑦	22485314	JC-KNOB
⑧	2215075600	JACK NUT
⑨	00125612	U S-KEY MX1H DCG/WHT
⑩	12369410RT	CORD HOLDER 1702B
⑪	F2257201	BARRIER (117V ONLY)
⑫	0112638901	230V/240V PA BOARD ASSY

CH1 BOARD ASSY  
EFF BOARD ASSY  
SW BOARD ASSY

⑬	0112639001	PM BOARD ASSY
---	------------	---------------

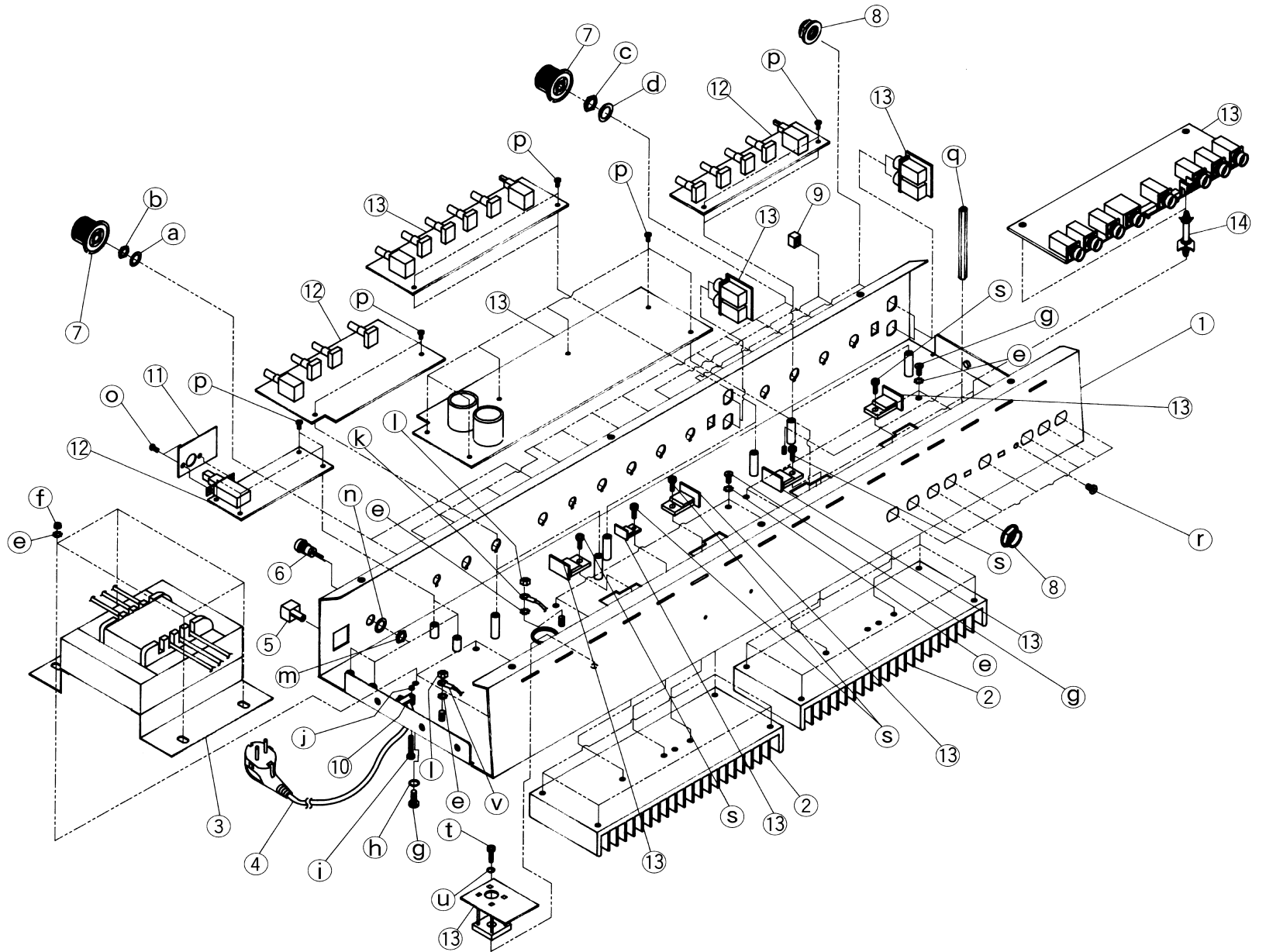
NOTE : PM BOARD ASSY includes the following PCBs.

CH1 INPUT BOARD ASSY  
CH2 INPUT BOARD ASSY  
CH2 BOARD ASSY  
MAIN AMP BOARD ASSY  
JK BOARD ASSY  
DI BOARD ASSY  
SPACER SUPPORTS LCBS-25

⑭	H2369411	
---	----------	--

**[SCREWS]**

No.	PART No.	PART NAME
a	17048651	VR ACCESSORY WASHER M7
b	40128923	VR ACCESSORY NUT M7
c	17048631	VR ACCESSORY WASHER M9
d	17048630	VR ACCESSORY NUT M9
e	40011889	EXT TOOTH WASHER M4 ZC
f	40011767	FLANGE NUT M4 ZC
g	40010345	BINDING MACHINE SCREW 4x10 BZC
h	40230023	SPRING WASHER M4 ZC
i	40012989	PAN MACHINE SCREW W/SW+PW M3x20 BZC
j	40011756	FLANGE NUT M3 ZC
k	H4019100CF	WIRING HARNESS 14
l	40129889	NUT M4 ZC
m	*****	LED ACCESSORY NUT M8
n	*****	LED ACCESSORY WASHER M8
o	40012945	PAN MACHINE SCREW W/SW+PW M3x6 BZC (117V ONLY)
p	40010423	BINDING MACHINE SCREW W/INT TOOTH WASHER M3x8 BZC
q	G2157504	STANDOFF M3 L70
r	40010323	BINDING MACHINE SCREW 4x6 BZC
s	40012967	PAN MACHINE SCREW W/SW+PW M3x10 BZC
t	40010212	BINDING MACHINE SCREW 3x15 ZC
u	40011801	SPRING WASHER M3 ZC
v		AC CORD CHASSIS EARTH
		100V: NONE
		117V: AC CORD EARTH
		230V/240V: G3467128 WIRING HARNESS15



Sals area	Model Name	Symbol
Japanese Model	JC-120UT	Ⓢ
	JC-120JT	Ⓣ
except Japan	JC-120UT Old	Ⓢ
	JC-120UT New	Ⓢ



**PARTS LIST**

<p><b>SAFETY PRECAUTIONS:</b> The parts marked <math>\Delta</math> have safety-related characteristics. Use only listed parts for replacement.</p>	<p><b>SAFETY PRECAUTIONS:</b> When ordering any parts listed in the parts list, please specify the following items in the order sheet.</p> <table style="width:100%; border-collapse: collapse;"> <thead> <tr> <th style="text-align: left;">QTY</th> <th style="text-align: left;">PART NUMBER</th> <th style="text-align: left;">DESCRIPTION</th> <th style="text-align: left;">MODEL NUMBER</th> </tr> </thead> <tbody> <tr> <td>Ex. 10</td> <td>22575241</td> <td>Sharp Key</td> <td>C-20/50</td> </tr> <tr> <td>15</td> <td>2247017300</td> <td>Knob (orange)</td> <td>DAC-15D</td> </tr> </tbody> </table> <p>Failure to completely fill the above items with correct number and description will result in delayed or even undelivered replacement.</p>	QTY	PART NUMBER	DESCRIPTION	MODEL NUMBER	Ex. 10	22575241	Sharp Key	C-20/50	15	2247017300	Knob (orange)	DAC-15D
QTY	PART NUMBER	DESCRIPTION	MODEL NUMBER										
Ex. 10	22575241	Sharp Key	C-20/50										
15	2247017300	Knob (orange)	DAC-15D										

NOTE: The parts marked # are new. (initial parts)

CH1:CH1 BOARD / SWB:SWITCH BOARD / CI2:CH2 INPUT BOARD / EFB:EFF BOARD  
 CI1:CH1 INPUT BOARD / MAB:MAIN AMP BOARD / CH2:CH2 INPUT BOARD  
 JKB:JK BOARD / DIB:DI BOARD

Sals area	Model Name	Symbol
Japanese Model	JC-120UT	(U)
	JC-120JT	(J)
except Japan	JC-120UT Old	(U)
	JC-120UT New	(NU)

**CASING**

00677890 CABINET ASSY (U) (NU)  
 TE000027 CABINET ASSY (J)  
 NOTE: Replacement CABINET ASSY includes the following parts

22310207 HANDLE H-40 + ESCUTCHEON  
 12359104 RUBBER FOOT MP-600 (J)  
 17055038 RUBBER FOOT LARGE BLACK (U) (NU)  
 22340202 PROTECTION CORNER  
 22510402 BADGE G.AMP 61  
 00677923 CASTER 3020-11-SR  
 TE990062 DECORATION RIVET TE990062

00677901 REAR BOARD ASSY (U) (NU)  
 TE010001 REAR BOARD ASSY (J)

**CHASSIS**

# G2817115 CHASSIS  
 # G2467407 HEATSINK

**KNOB, BUTTON**

22485314 JC-KNOB  
 00125612 U S-KEY MX1H DCG/WHT  
 22495565 F S-BUTTON MX BLK

**SWITCH**

$\Delta$ 13129160	SDDL1-B-D-2 TV-5 5A/250V	AC PUSH SWITCH	SW3 on SWB
01782623	SPUP12800	PUSH SWITCH	SW2 on CH1
00122390	SRBM23N-F15-16	ROTARY SWITCH	SW3 on EFB
13159178	SSSU12584A	SLIDE SWITCH	SW2 on JKB
13159169	SSSU14 12MM	SLIDE SWITCH	SW3 on JKB

**JACK, SOCKET**

13449261	HLJ4306-01-3070	JACK	JK9 on JKB
13449149	YKB21-5011	JACK	JK1,JK2 on CI1 JK3,JK4 on CI2
13449290	YKB21-5231	JACK	JK5,JK6,JK7,JK8,JK10, JK11,JK12 on JKB

**SPEAKER**

$\Delta$  00677912 SPEAKER 12-4782 (G1208F01) (U)  
 $\Delta$  22410204 SPEAKER 30-103D-3 80HM (J) (NU)  
 40231967 SPEAKER LABEL for 12 inch SPEAKER (U)  
 40126301 LABEL SPEAKER (J)  
 17055160 LABEL SPEAKER (NU)

**PCB ASSY**

# 0112639000 PM BOARD ASSY (U)  
 0112639001 PM BOARD ASSY (J) (NU)  
 NOTE1: Replacement PM BOARD ASSY includes the following PCB

CH1 INPUT BOARD ASSY/ CH2 INPUT BOARD ASSY  
 CH2 BOARD ASSY/ MAIN AMP BOARD ASSY  
 JK BOARD ASSY/ DI BOARD ASSY

# 0112638900 230V/240V PA BOARD ASSY (U)  
 0112638901 230V/240V PA BOARD ASSY (J) (NU)  
 NOTE2: Replacement PA BOARD ASSY includes the following PCB.

CH1 BOARD ASSY  
 EFF BOARD ASSY  
 SWITCH BOARD ASSY  
 NOTE3: Replacement PA BOARD ASSY is 230V/240V version only.  
 230V/240V version differs from 100V/117V version only fuse system.  
 When using MAIN AMP BOARD ASSY for 100V/117V version, replace fuse. (refer to TABLE A)

TABLE A

100V/117V	FUSE 5x20 SB 4A/125V(12559444)
230V/240V	FUSE 5ST 2.5A/250V (F2559105)

**IC**

15189251	M5218AP	IC OP.AMP	IC1,IC2 on EFB
15219205	MN3007	IC BBD	IC3 on EFB
15169504	MN3101	IC BIPOLER	IC4 on EFB

**TRANSISTOR**

15119111	2SA970GR	TRANSISTOR	Q15,Q16,Q23,Q24 on MAB
15119113	2SA1015GR	TRANSISTOR	Q12,Q20,Q32,Q33 on MAB Q42 on JKB
$\Delta$ 00122245	2SA1671	POWER TRANSISTOR	Q34,Q36 on MAB
15119615	2SB647C	TRANSISTOR	Q6 on EFB
$\Delta$ 15119604	2SB649AC	TRANSISTOR	Q11,Q19 on MAB
15129114	2SC1815GR	TRANSISTOR	Q2 on CH1 Q5,Q9,Q10,Q11 on EFB Q3 on CH2 Q9,Q14,Q21 on MAB Q46,Q47,Q48 on JKB Q13,Q22 on MAB Q44,Q45 on JKB Q35,Q37 on MAB Q7 on EFB Q10,Q18 on MAB Q7,Q8 on MAB Q1,Q3 on CH1 Q4,Q8 on EFB Q1,Q2,Q5,Q6 on CH2 Q26,Q27,Q30,Q31 on MAB Q38,Q39,Q40,Q43 on JKB Q4 on CH2 Q17,Q25,Q28,Q29 on MAB Q41 on JKB
15129433	2SC2229O	TRANSISTOR	
15129152	2SC2878A/B	TRANSISTOR	
$\Delta$ 00122256	2SC4386	POWER TRANSISTOR	
15129602	2SD667C	TRANSISTOR	
$\Delta$ 15129604	2SD669AC	TRANSISTOR	
$\Delta$ 15129845	2SD1763A-D	TRANSISTOR	
15139123	2SK184GR	FET	
15139138	2SK381E	FET	

**RESISTOR**

$\Delta$ 12559718	330ohm 0.5W	FUSIBLE RESISTOR	R69,R71 on MAB
# $\Delta$ F2559803	6.8ohm 0.5W	FUSIBLE RESISTOR	R58,R59,R60,R61 on MAB
$\Delta$ 13839615RT	SQM 0.33ohm 5W	CEMENT RESISTOR	R62,R63,R64,R65 on MAB

**DIODE**

15019169	1SS133	DIODE	D5,D8,D9,D10,D11,D12 on MB
$\Delta$ F5019203	1N4004	DIODE	
F2247701	L-608	LED (RED)	LED1
$\Delta$ F5019505	RD16EB2 16V	ZENER DIODE	D6 on MAB
# $\Delta$ 15019582	RD30EB4 30V	ZENER DIODE	D7 on MAB
# $\Delta$ F5019205	CP1002 10A/200V	BRIDGE DIODE	D18 on DIB

**POTENTIOMETER**

13289229	RK09L1120 10KB	ROTARY POTENTIOMETER	VR3 on CH1 VR5 on EFB VR3 on CH2 VR6 on EFB VR7 on EFB VR4 on CH1 VR4 on CH2 VR2 on CH1 VR2 on CH2 VR1 on CH1 VR1 on CH2 VR5 on CH2
13289235	RK09L1120 100KA	ROTARY POTENTIOMETER	
13289217	RK09L1120 100KB	ROTARY POTENTIOMETER	
00122301	RK09L1120 250KA	ROTARY POTENTIOMETER	
00122290	RK09L1120 250KB	ROTARY POTENTIOMETER	
00122289	RK09L1120 1MB	ROTARY POTENTIOMETER	
00122312	RK0971111 10KC	ROTARY POTENTIOMETER	

**CAPACITOR**

$\Delta$ F3659241	3300uF 63V	ELECTOLYTIC CAPACITOR	C31,C32 on MAB
# $\Delta$ 13639136RT	470uF 35V	ELECTOLYTIC CAPACITOR	C36 on MAB
$\Delta$ F3519501	PY17FY472MLO 472/250V	CERAMIC CAPACITOR	C1 on SWB
# $\Delta$ 13519402RT	E C8 472M6 472/250V	CERAMIC CAPACITOR	C127 on DIB
13519628M0	ECKR1H KB5 330P	CERAMIC CAPACITOR (J) (NU)	C7 on CH1 C6 on CH2
13519623M0	ECKR1H151 KB5 150P	CERAMIC CAPACITOR (J) (NU)	C9 on CH1, C16 on CH2
15349367M0	GRM40SL221J50PT 220PF/50V	CERAMIC CAPACITOR (U)	C7 on CH1 C6 on CH2
01893812	GRM40CH121J50PT10	CERAMIC CAPACITOR (U)	C9 on CH1 C16 on CH2

**FUSE,FUSE HOLDER**

$\Delta$ 12559444	FUSE 5x20 SB 4A/125V	FUSE(100V/117V ONLY)	
$\Delta$ F2559105	FUSE 5ST 2.5A/250V	FUSE(230V/240V ONLY)	
$\Delta$ 12199550RT	FUSE HOLDER		
$\Delta$ F2029601	FUSE COVER FH-1		

**WIRING,CABLE**

# G3417129	WIRING HARNESS 1	2P L50	CN1 (on CH1) to CN1 (on CI1), CN2 (on CH2) to CN5 (on CI2)
# G3417130	WIRING HARNESS 2	2P L215	CN3 (on CH1) to CN11 (on MAB)
# G3417131	WIRING HARNESS 3	2P L180	CN4 (on CH2) to CN9 (on MAB)
# G3417132	WIRING HARNESS 4	3P L360	CN2 (on CH1) to CN8 (on MAB)
# G3417133	WIRING HARNESS 5	4P L190	CN17 (on JKB) to CN10 (on MAB)

#	G3417134	WIRING HARNESS 6	5P L290	CN15 (on JKB) to CN12 (on MAB)
#	G3417135	WIRING HARNESS 7	5P L350	CN8 (on EFB) to CN13 (on MAB)
#	G3417136	WIRING HARNESS 8	6P L360	CN3 (on CH2) to CN16 (on JKB)
#	G3417137	WIRING HARNESS 9	7P L510	CN4 (on EFB) to CN14 (on JKB)
#	G3417140	WIRING HARNESS 10,12	3P L180	CN7 (on MAB) to CN6 (on EFB), W1 (on MAB) to Q7
# Δ	G3417139	WIRING HARNESS 11	2P L300	CN6 (on MAB) to LED1
#	H4027101	WIRING HARNESS 13	L140 (BRW)	W2 (on MAB) to DIB
#	H4019100CF	WIRING HARNESS 14	L=150+B6 (GREEN)	FG (on MAB) to CHASSIS GND
#	H4019113CF	WIRING HARNESS 15	L=100+B6+187N	GND (on SWB) to CHASSIS GND
#	G3467108	WIRING HARNESS 16	L550+RCA(BLK)	CN5 (on EFB) to Reverb OUT
#	G3467109	WIRING HARNESS 17	L450+RCA(RED)	CN7 (on EFB) to Reverb IN
#	G3467111	WIRING HARNESS 19	L900+205N (RED)	W7 (on MAB) to SPEAKER L+
#	G3467112	WIRING HARNESS 20	L900+205N (BLK)	W5 (on MAB) to SPEAKER L-
#	G3467113	WIRING HARNESS 21	L900+205N (ORG)	W9 (on MAB) to SPEAKER R+
#	G3467114	WIRING HARNESS 22	L900+205N (BRW)	W6 (on MAB) to SPEAKER R-
#	G3437651	WIRING HARNESS 23	6P L350+L350 3P+3P SEPARATE	W10-1, W10-2 (on MAB) to Q36, Q37
#	G3437650	WIRING HARNESS 24	6P L150+L100 3P+3P SEPARATE	W8-1, W8-2 (on MAB) to Q34, Q35
#	G3437652	WIRING HARNESS 25	3P L140	W3-1 (on MAB) to W3-1 (on DIB)

**TRANSFORMER**

# Δ	G245713501	100V/117V	TRANSFORMER
# Δ	G245713601	230V/240V	TRANSFORMER

**AC CORD**

Δ	G3497123	VCTF 100V	AC CORD FOR 100V
Δ	G349712401	SJT 117V	AC CORD FOR 117V
Δ	G3497125	SY010 230V	AC CORD FOR 230V
Δ	13499111	4622-001-0886 230VE	AC CORD FOR 230VE
Δ	G3497126	FC-305 240VA	AC CORD FOR 240V

**SCREW**

	17048651	VR ACCESSORY WASHER M7	
	40128923	VR ACCESSORY NUT M7	
	17048631	VR ACCESSORY WASHER M9	
	17048630	VR ACCESSORY NUT M9	
	40011889	EXT TOOTH WASHER M4 ZC	
	40011767	FLANGE NUT M4 ZC	
	40010345	BINDING MACHINE SCREW 4x10 BZC	
#	40230023	SPRING WASHER M4 ZC	
	40012989	PAN MACHINE SCREW W/SW+PW M3x20 BZC	
	40011756	FLANGE NUT M3 ZC	
#	40129889	NUT M4 ZC	
	*****	LED ACCESSORY NUT M8	
	*****	LED ACCESSORY WASHER M8	
	40012945	PAN MACHINE SCREW W/SW+PW M3x6 BZC (117V ONLY)	
	40010423	BINDING MACHINE SCREW W/INT TOOTH WASHER M3x8 BZC	
#	G2157504	STANDOFF M3 L70	
	40010323	BINDING MACHINE SCREW 4x6 BZC	
#	40012967	PAN MACHINE SCREW W/SW+PW M3x10 BZC	
	40010212	BINDING MACHINE SCREW 3x15 ZC	
	40011801	SPRING WASHER M3 ZC	
	2215075600	JACK NUT	
	17055040	8/32 LOCKING NUT (KEP NUT) (U) (NU)	
	40011767	FLANGE NUT M4 ZC (J)	
	40010601	ORIGINAL TRUSS MACHINE SCREW 5x35 BZC	
	40232001	SCREW #10-32x1 1/4 (INCH) (U) (NU)	
	40010689	TRUSS TAPPING A 4x25 BZC (J)	
	17055105	SCREW #10-32x1 OVAL HEAD BZC PHILLIPS MACHINE (SCREW00040) (U) (NU)	
	TE910013	SCREW M5x30 OVAL MACHINE BC (J)	
	17055071	SCREW #10x1/2 INCH PHP SHEFT METAL ZU (U) (NU)	
	17055108	SCREW #8x3/4 TRUSS HEAD WOOD (SCREW00007) (U) (NU)	

**PACKING**

	02232712	PACKING CASE	
	02232723	UPPER PAD	
	02232734	LOWER PAD	

**MISCELLANEOUS**

#	H2369411	SPACER SUPPORTS LCBS-25	for JKB
#	F3459104	GROUNDING TERMINAL JH-8(T)	on JKB
	J3109102	8AB2D1A	REVERB UNIT
Δ	12369410RT	CORD HOLDER 1702B	
# Δ	G2467105	HEATSINK	for Q8, on MAB
Δ	F2257201	BARRIER WT-322RI	
	G2447203	CHOKE COIL	

**ACCESSORIES(STANDARD)**

#	17055085	OWNER'S MANUAL (ENGLISH)
#	17055084	OWNER'S MANUAL (JAPANESE)