

BIAS ADJUSTMENT: WITH NO SIGNAL AND NO LOAD  
 ADJUST AP101 TO OBTAIN AN AVERAGE OF  $25 \pm 5\text{mV}$  ACROSS R139, 140, 146, 147, 152, 153, 158, 159, 164, 165.  
 ADJUST AP201 TO OBTAIN AN AVERAGE OF  $25 \pm 5\text{mV}$  ACROSS R239, 240, 246, 247, 252, 253, 258, 259, 264, 265.

T.P.	NO SIGNAL	40VRMS OUT @ 8 OHMS	LIMITING @ 8 OHMS	AS NOTED	WAVEFORM
1	—	0.68Vrms	0.79Vrms	—	~
2	—	0.68Vrms	0.79Vrms	—	~
3	+/-20mVdc	1.5V	1.5V	—	~
4	+/-1Vdc	2.6Vdc	2.6Vdc	AS SHOWN PER COLUMN	~
5	+7mVdc	1.9mV	2.7mV	—	~
6	+5Vdc	+4.82Vdc	+4.82Vdc	—	~
7	-5Vdc	-5.12Vdc	-5.12Vdc	—	~
8	0V	+43.6mVdc	+74mVdc	—	~

NOTES:  
 1) THIS UNIT CONTAINS HAZARDOUS VOLTAGE. DISCONNECT POWER AND BE SURE POWER SUPPLY IS DISCHARGED BEFORE TOUCHING INTERNAL PARTS.  
 2) UNLESS NOTED, RESISTOR VALUES IN OHMS, 1/4W-5% TOL. CAPACITOR VALUES IN MICROFARADS, 50V-10% TOL.  
 3) VOLTAGES ARE MEASURED WITH 1 MEGOHM OSCILLOSCOPE AND 10 MEGOHM DIGITAL VOLTMETER.

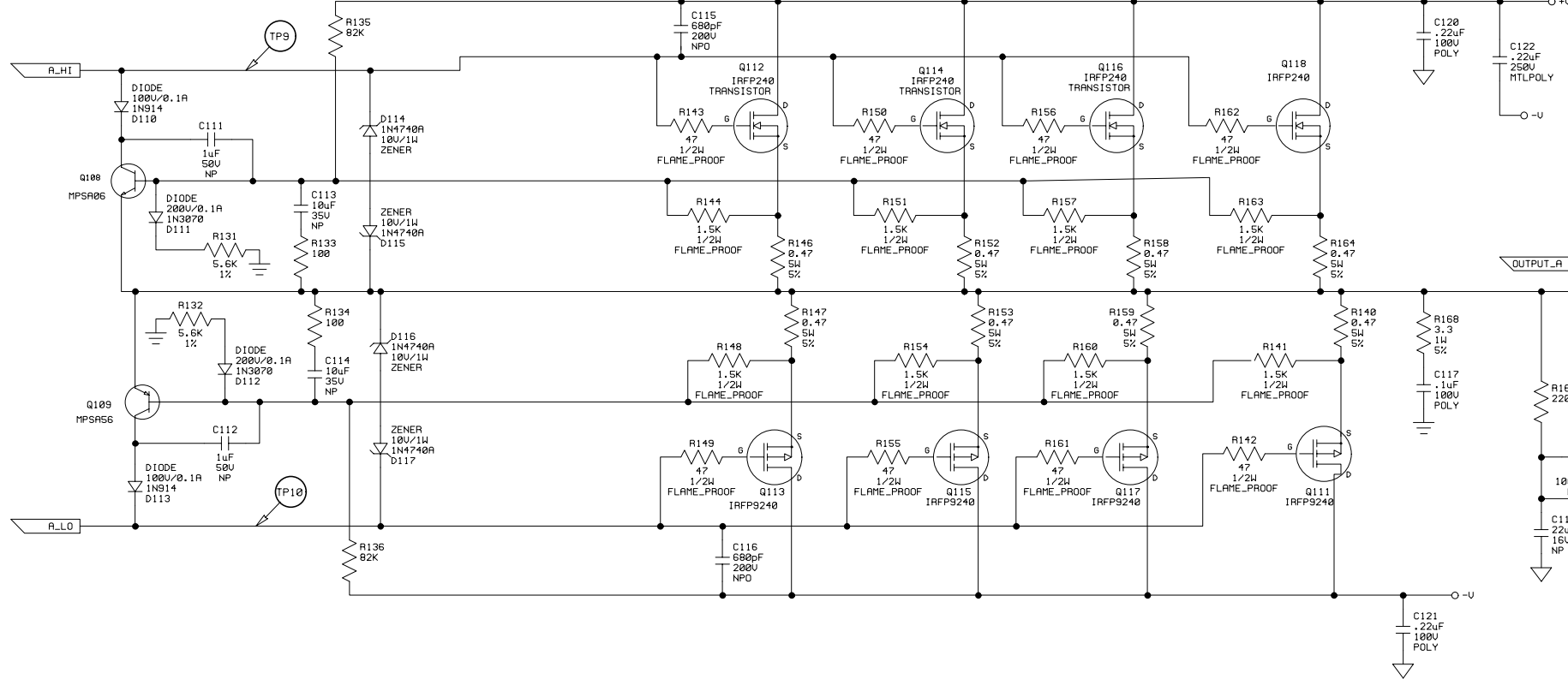
CAUTION:  
 THIS SCHEMATIC IS PROVIDED FOR USE BY QUALIFIED PERSONNEL. TO AVOID RISK OF ELECTRIC SHOCK, REFER SERVICING TO QUALIFIED SERVICE PERSONNEL. DO NOT PERFORM ANY SERVICING BEYOND THAT EXPLAINED IN THE OPERATING INSTRUCTIONS.

SHEETS 1, 2 & 3 OF THIS DRAWING REPRESENT ASSY P/N 07-442-03

2	9-28-00	REMOVED TWO WIRE SEGMENTS SCHEMATIC DOCUMENTATION ERROR	N88+13	RLB		
1	11-30-99	CHANGED TO -03-11 VERSIONS		RLB		
0		CONTROL ISSUE				
REV:	DATE:	DESCRIPTION	ECR/ECN NO:	CHG'D BY:	APP'D BY:	DATE:
THIS INFORMATION CONTAINED ON THIS DRAWING IS PROPRIETARY TO ST. LOUIS MUSIC, INC.						
SIGNATURES:			DATE:		11800 Borman Dr. St. Louis, Missouri 63146	
DRAWN: REM			6-25-98		FIRST USED ON: B-4R_BASS_AMP	
CHK'D:					DRAWING TITLE: POWER_AMP	
TOLERANCES:			DRAWING SIZE: D		DRAWING NO.: 07S442-XX	
			CLASS TYPE: SCHEMATIC			
			SCALE: NONE		SHEET: SHT 1 OF 6	

T.P.	NO SIGNAL	40URMS OUT @ 8 OHMS	LIMITING @ 8 OHMS	AS NOTED WAVEFORM
9	+3.6Vdc	40Urms	41Urms	~
10	-3.5Vdc	40Urms	41Urms	~
11	7.2mVdc	40Urms	41Urms	~
12	-11.52Vdc	-11.8Udc	-11.8Udc	~

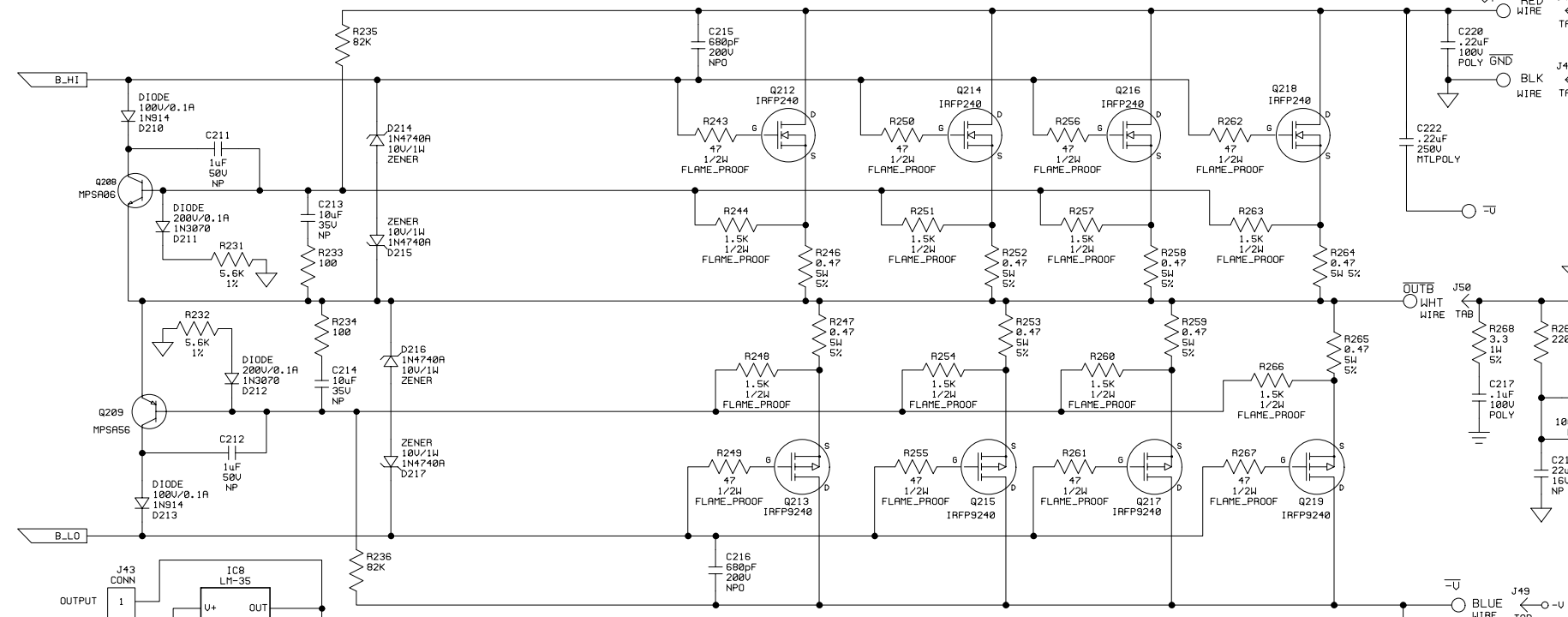
POWER AMP A



BIAS ADJUSTMENT: WITH NO SIGNAL AND NO LOAD

ADJUST AP101 TO OBTAIN AN AVERAGE OF 25 ± 5mV ACROSS R139, 140, R146, 147, 152, 153, 158, 159, 164, 165.  
 ADJUST AP201 TO OBTAIN AN AVERAGE OF 25 ± 5mV ACROSS R239, 240, R246, 247, 252, 253, 258, 259, 264, 265.

POWER AMP B

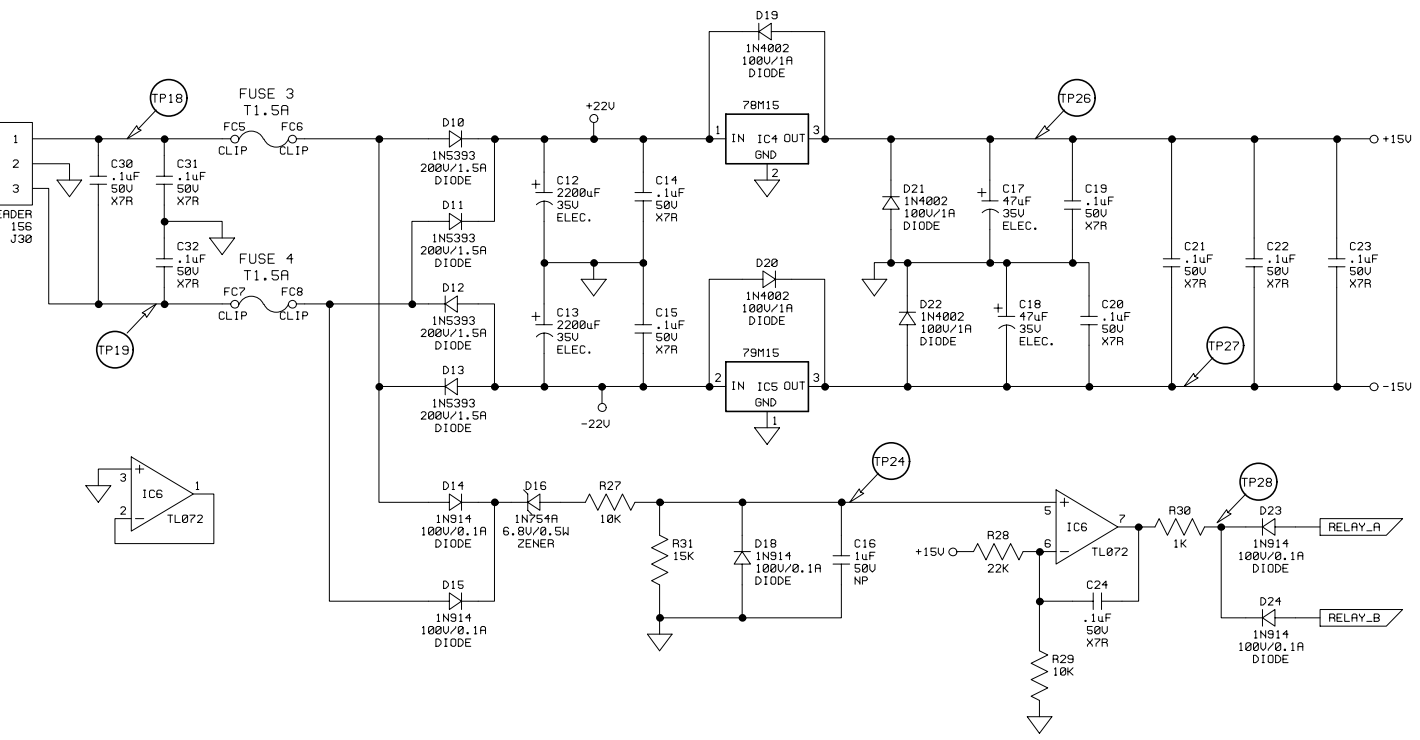
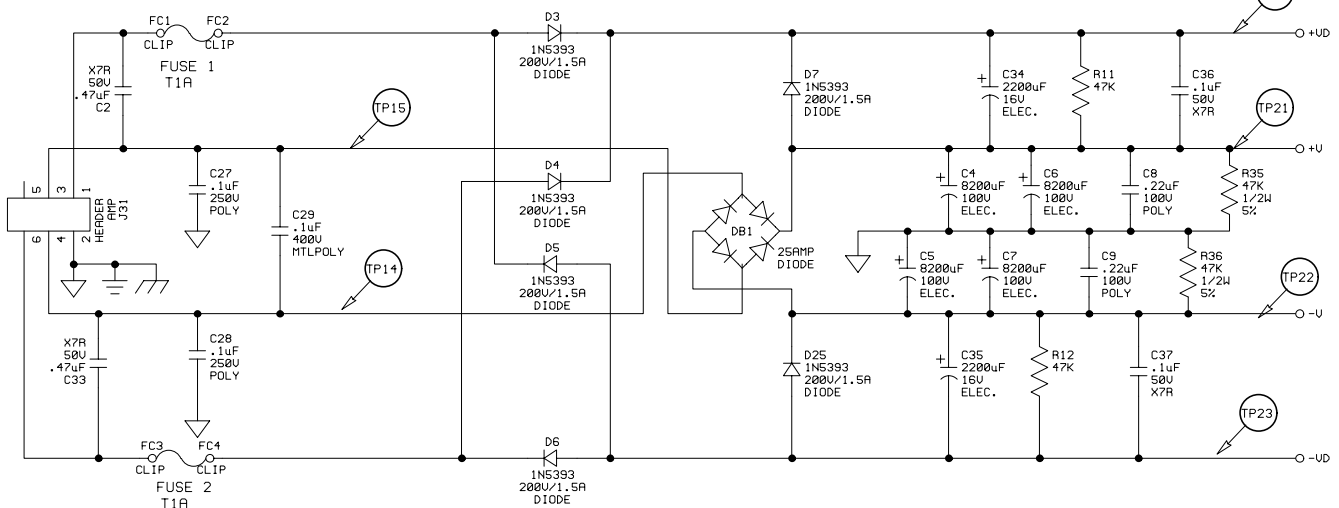
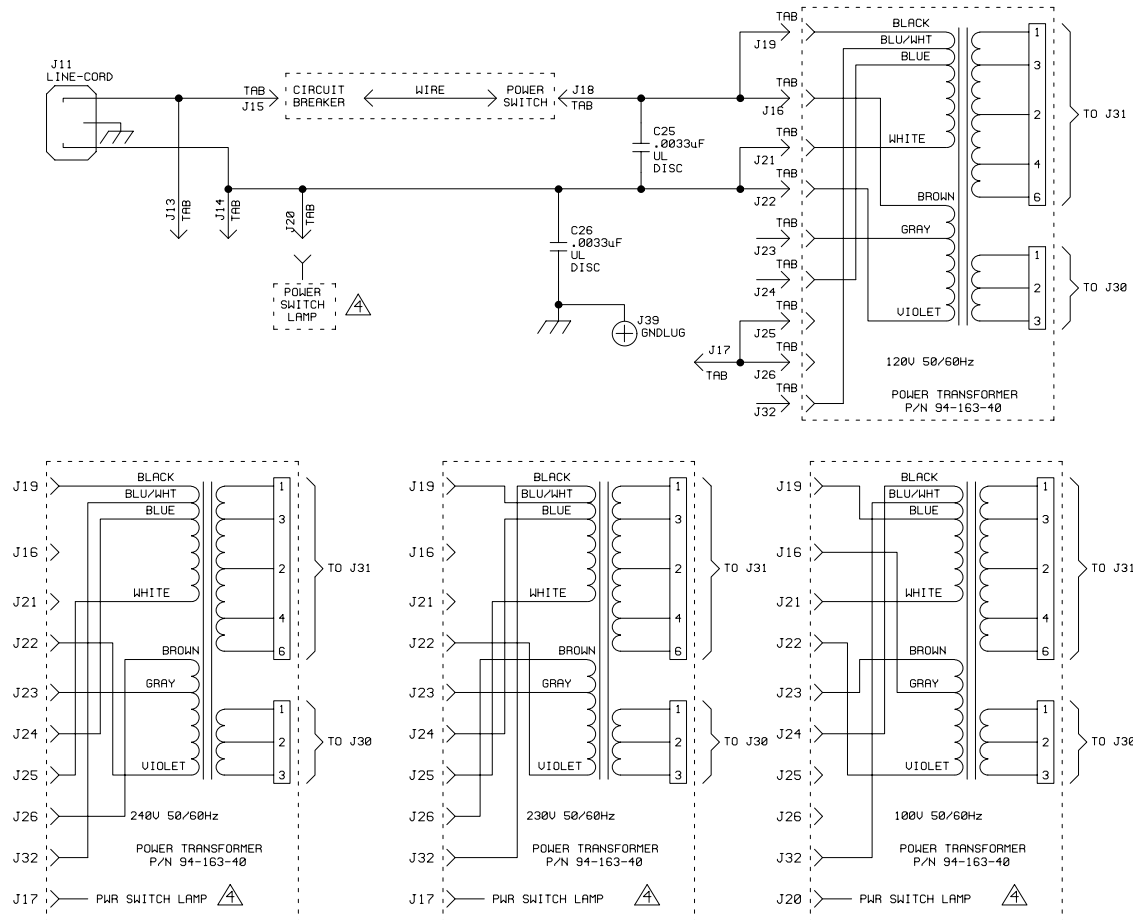


- NOTES:
- THIS UNIT CONTAINS HAZARDOUS VOLTAGE. DISCONNECT POWER AND BE SURE POWER SUPPLY IS DISCHARGED BEFORE TOUCHING INTERNAL PARTS.
  - UNLESS NOTED, RESISTOR VALUES IN OHMS, 1/4W-5% TOL. CAPACITOR VALUES IN MICROFARADS, 50V-10% TOL.
  - VOLTAGES ARE MEASURED WITH 1 MEGOHM OSCILLOSCOPE AND 10 MEGOHM DIGITAL VOLTMETER.

CAUTION:  
 THIS SCHEMATIC IS PROVIDED FOR USE BY QUALIFIED PERSONNEL. TO AVOID RISK OF ELECTRIC SHOCK, REFER SERVICING TO QUALIFIED SERVICE PERSONNEL. DO NOT PERFORM ANY SERVICING BEYOND THAT EXPLAINED IN THE OPERATING INSTRUCTIONS.

SHEETS 1, 2 & 3 OF THIS DRAWING REPRESENT ASSY P/N 07-442-03

REV:	DATE:	DESCRIPTION	ECR/ECN NO:	CHG'D BY:	APP'D BY:	DATE:
1		SEE_SHT_1_FOR_REV_HISTORY				
THIS INFORMATION CONTAINED ON THIS DRAWING IS PROPRIETARY TO ST. LOUIS MUSIC, INC.						
SIGNATURES:		DATE:	11880 Borman Dr. St. Louis, Missouri 63146			
DRAWN: REM		6-25-98	FIRST USED ON: B-4R_BASS_AMP			
CHK'D:			DRAWING TITLE: POWER_AMP			
CLS'D:			DRAWING NO.:			
TOLERANCES:	DRAWING SIZE: D	CLASS CODE:		DRAWING NO.:		
	DRAWING TYPE: - SCHEMATIC	SCALE: NONE		SHEET: SHT 2 OF 6		
				07S442-XX		



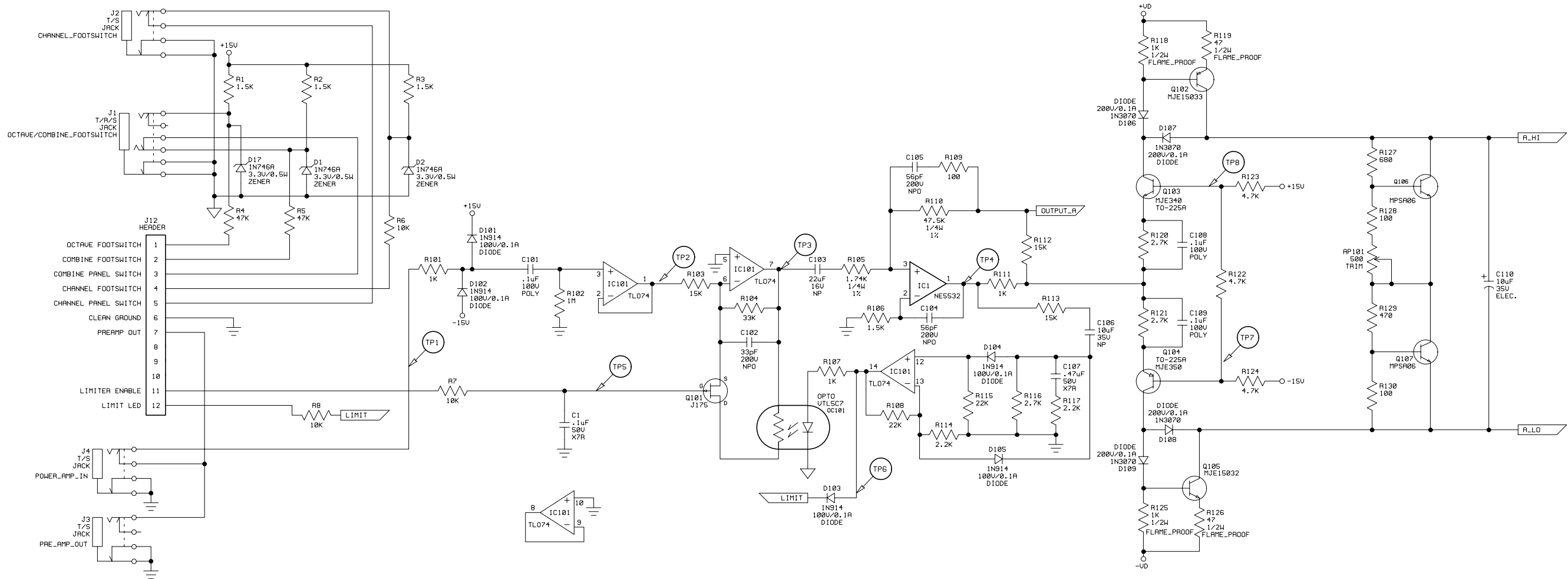
- NOTES:
- THIS UNIT CONTAINS HAZARDOUS VOLTAGE. DISCONNECT POWER AND BE SURE POWER SUPPLY IS DISCHARGED BEFORE TOUCHING INTERNAL PARTS.
  - UNLESS NOTED, RESISTOR VALUES IN OHMS, 1/4W-5% TOL. CAPACITOR VALUES IN MICROFARADS, 50V-10% TOL.
  - VOLTAGES ARE MEASURED WITH 1 MEGOHM OSCILLOSCOPE AND 10 MEGOHM DIGITAL VOLTMETER.
  - IF REQUIRED FOR CHASSIS ASSY.

CAUTION:  
THIS SCHEMATIC IS PROVIDED FOR USE BY QUALIFIED PERSONNEL. TO AVOID RISK OF ELECTRIC SHOCK, REFER SERVICING TO QUALIFIED SERVICE PERSONNEL. DO NOT PERFORM ANY SERVICING BEYOND THAT EXPLAINED IN THE OPERATING INSTRUCTIONS.

TP	NO SIGNAL	40VRMS OUT @ 8 OHMS	LIMITING @ 8 OHMS AS NOTED	WAVEFORM
13	VARIES W/TEMP	Varies w/temp.	Varies w/temp.	---
14	61Vac	51Vac	51Vac	~
15	61Vac	51Vac	51Vac	~
16	+14Vdc	-4.6Vdc	-4.6Vdc	---
17	+14.4Vdc	+14.4Vdc	+14.4Vdc	---
18	20Vac	19Vac	19Vac	~
19	20Vac	19Vac	19Vac	~
20	+71Vdc	+64.5Vdc	+64.5Vdc	^^
21	+63Vdc	+59Vdc	+59Vdc	^^
22	-63Vdc	-59Vdc	-59Vdc	^^
23	-71Vdc	-64.5Vdc	-64.5Vdc	^^
24	+6Vdc	+5.73Vdc	+5.73Vdc	---
25	NOT USED			---
26	+15Vdc	+15Vdc	+15Vdc	---
27	-15Vdc	-15Vdc	-15Vdc	---
28	+14.3Vdc	+14.3Vdc	+14.3Vdc	---

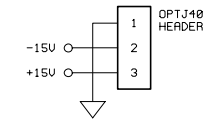
SHEETS 1, 2 & 3 OF THIS DRAWING REPRESENT ASSY P/N 07-442-03

1	SEE_SHT.1_FOR_REV_HISTORY				
REV:	DATE:	DESCRIPTION	ECR/ECN NO:	CHG'D BY:	APP'D BY:
THIS INFORMATION CONTAINED ON THIS DRAWING IS PROPRIETARY TO ST. LOUIS MUSIC, INC.					
SIGNATURES:		DATE:	11088 Borman Dr. St. Louis, Missouri 63146		
DRAWN: REM	6-25-98				
CHK'D:		FIRST USED ON:	B-4R_BASS_AMP		
RLS'D:		DRAWING SIZE: D	DRAWING TITLE: POWER_AMP		
TOLERANCES:	DRAWING TYPE: - SCHEMATIC	DRAWING NO.: 07S442-XX			
CLASS CODE:	SCALE: NONE	SHEET: SHT 3 OF 6			



BIAS ADJUSTMENT: WITH NO SIGNAL AND NO LOAD  
 ADJUST AP101 TO OBTAIN AN AVERAGE OF 25 ± 5mV ACROSS R139, 140  
 R146, 147, 152, 153, 158, 159, 164, 165.

T.P.	NO SIGNAL	40Vrms OUT @ 8 OHMS	LIMITING @ 8 OHMS AS NOTED	WAVEFORM
* 1	0.68Vrms	0.68Vrms	0.79Vrms	~
* 2	0.68Vrms	0.68Vrms	0.79Vrms	~
3	+/-20mVdc	1.5V	1.5V	~
4	+/-1Vdc	2.6Vdc	2.6Vdc	AS SHOWN PER COLUMN
5	+7mVdc	1.9mV	2.7mV	~
6	+5Vdc	+4.82Vdc	+4.82Vdc	~
7	-5Vdc	-5.12Vdc	-5.12Vdc	~
8	0V	+43.6mVdc	+74mVdc	~

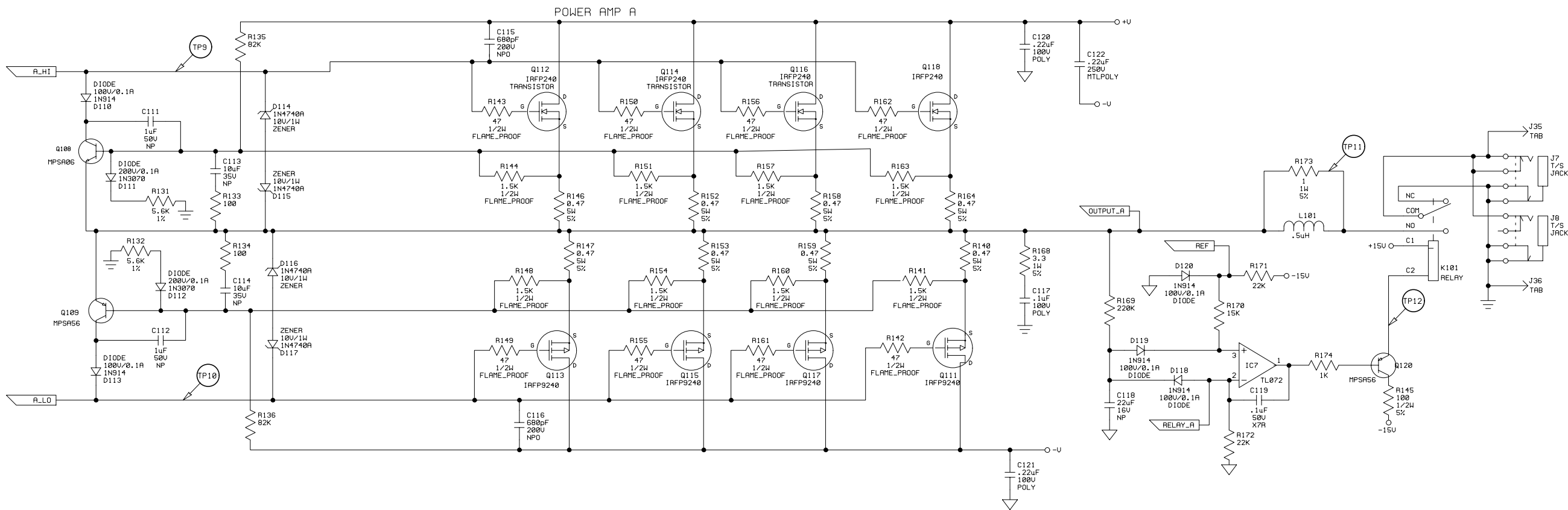


- NOTES:
- THIS UNIT CONTAINS HAZARDOUS VOLTAGE. DISCONNECT POWER AND BE SURE POWER SUPPLY IS DISCHARGED BEFORE TOUCHING INTERNAL PARTS.
  - UNLESS NOTED, RESISTOR VALUES IN OHMS, 1/4W-5% TOL. CAPACITOR VALUES IN MICROFARADS, 50V-10% TOL.
  - VOLTAGES ARE MEASURED WITH 1 MEGOHM OSCILLOSCOPE AND 10 MEGOHM DIGITAL VOLTMETER.

CAUTION:  
 THIS SCHEMATIC IS PROVIDED FOR USE BY QUALIFIED PERSONNEL. TO AVOID RISK OF ELECTRIC SHOCK, REFER SERVICING TO QUALIFIED SERVICE PERSONNEL. DO NOT PERFORM ANY SERVICING BEYOND THAT EXPLAINED IN THE OPERATING INSTRUCTIONS.

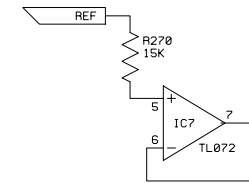
SHEETS 4, 5 & 6 OF THIS DRAWING REPRESENTS  
 ASSY P/N 07-442-11

1	SEE_SHT_1_FOR_REV_HISTORY				
REV:	DATE:	DESCRIPTION	ECR/ECN NO:	CHG'D BY:	APP'D BY:
THIS INFORMATION CONTAINED ON THIS DRAWING IS PROPRIETARY TO ST. LOUIS MUSIC, INC.					
SIGNATURES:		DATE:	11888 Boreman Dr. St. Louis, Missouri 63146		
DRAWN: REM		6-25-98	FIRST USED ON: B-4R_BASS_AMP		
CHK'D:			DRAWING TITLE: POWER_AMP		
ALS'D:			DRAWING NO.:		
DRAWING SIZE: D SCHEMATIC		SCALE: NONE			
DRAWING TYPE: -		SHEET: SHT 4 OF 6			
CLASS CODE:		DRAWING NO.:			
SCALE: NONE		07S442-XX			



BIAS ADJUSTMENT: WITH NO SIGNAL AND NO LOAD  
 ADJUST AP101 TO OBTAIN AN AVERAGE OF  $25 \pm 5\mu\text{V}$  ACROSS R139, 140  
 R146, 147, 152, 153, 158, 159, 164, 165.

T.P.	NO SIGNAL	40URMS OUT @ 8 OHMS	LIMITING @ 8 OHMS AS NOTED	WAVEFORM
9	+3.6Vdc	40Urms	41Urms	~
10	-3.5Vdc	40Urms	41Urms	~
11	7.2mVdc	40Urms	41Urms	~
12	-11.52Vdc	-11.8Vdc	-11.8Vdc	—



NOTES:

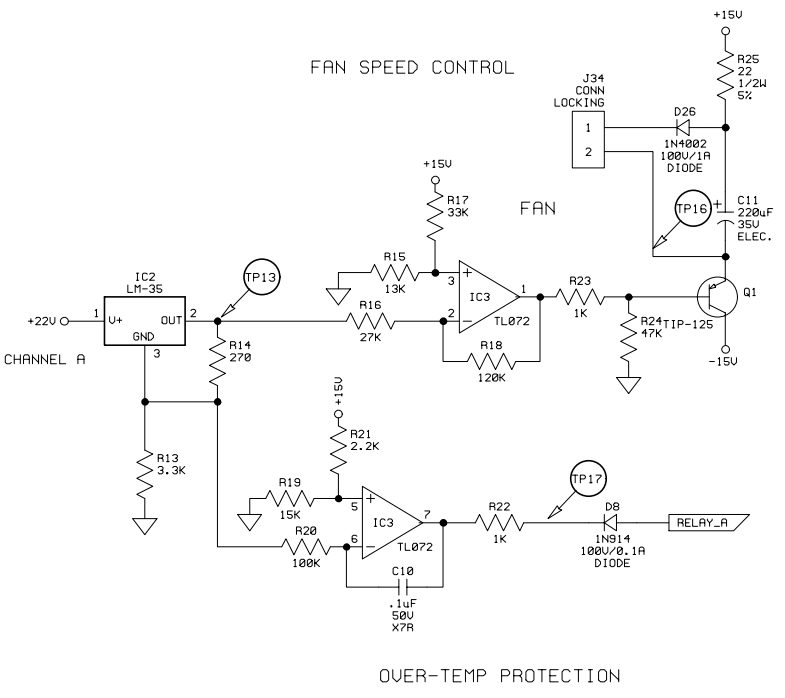
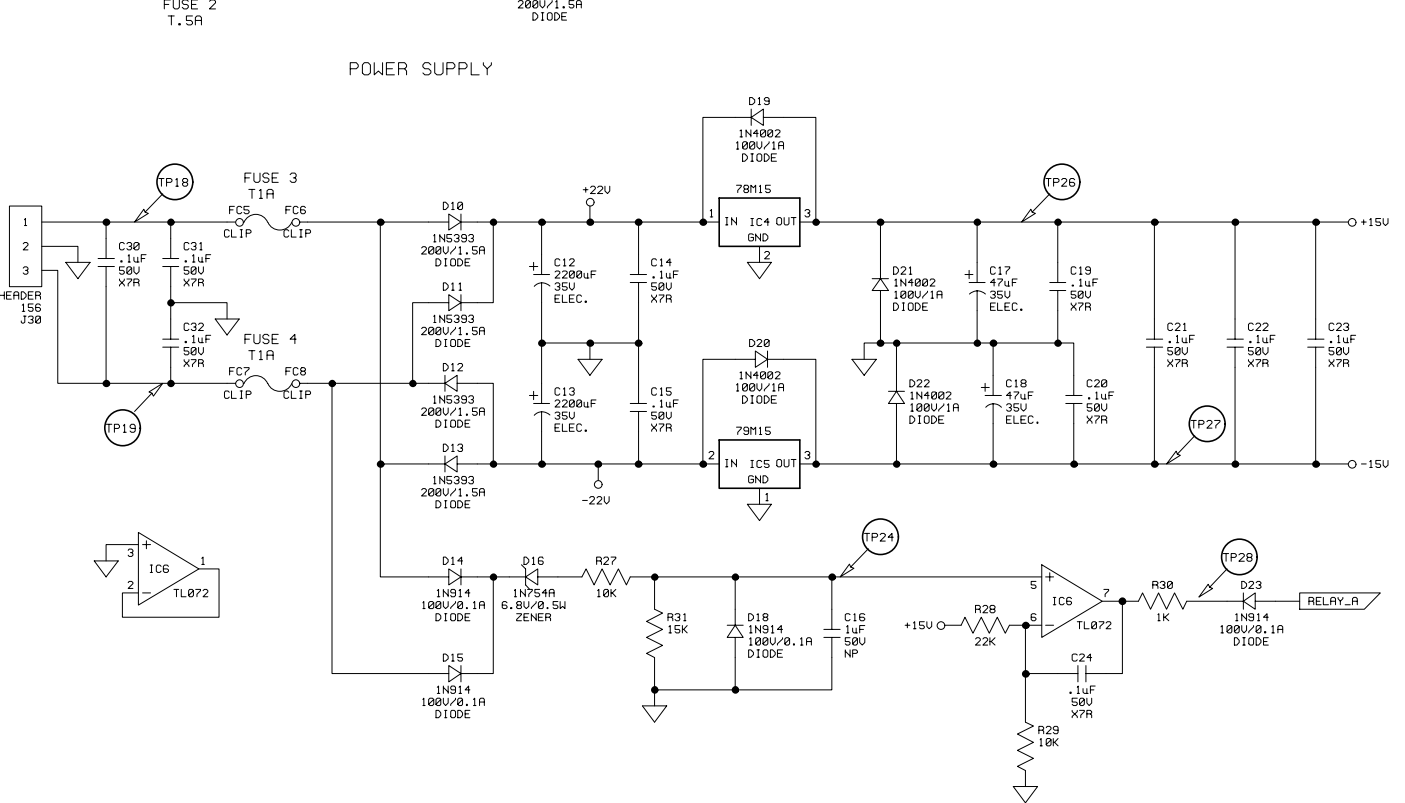
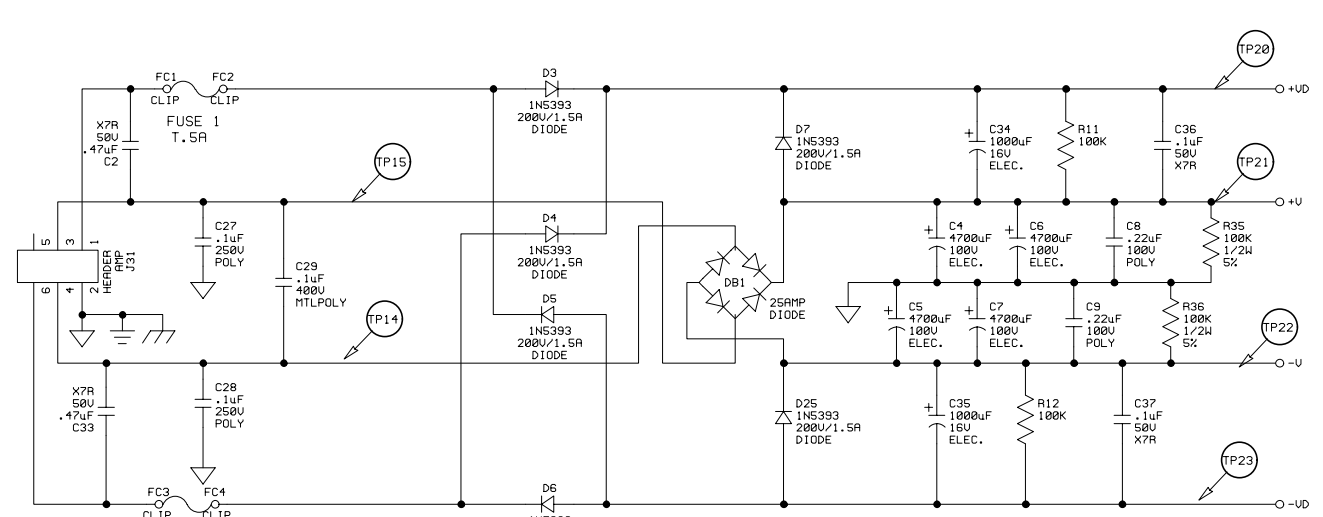
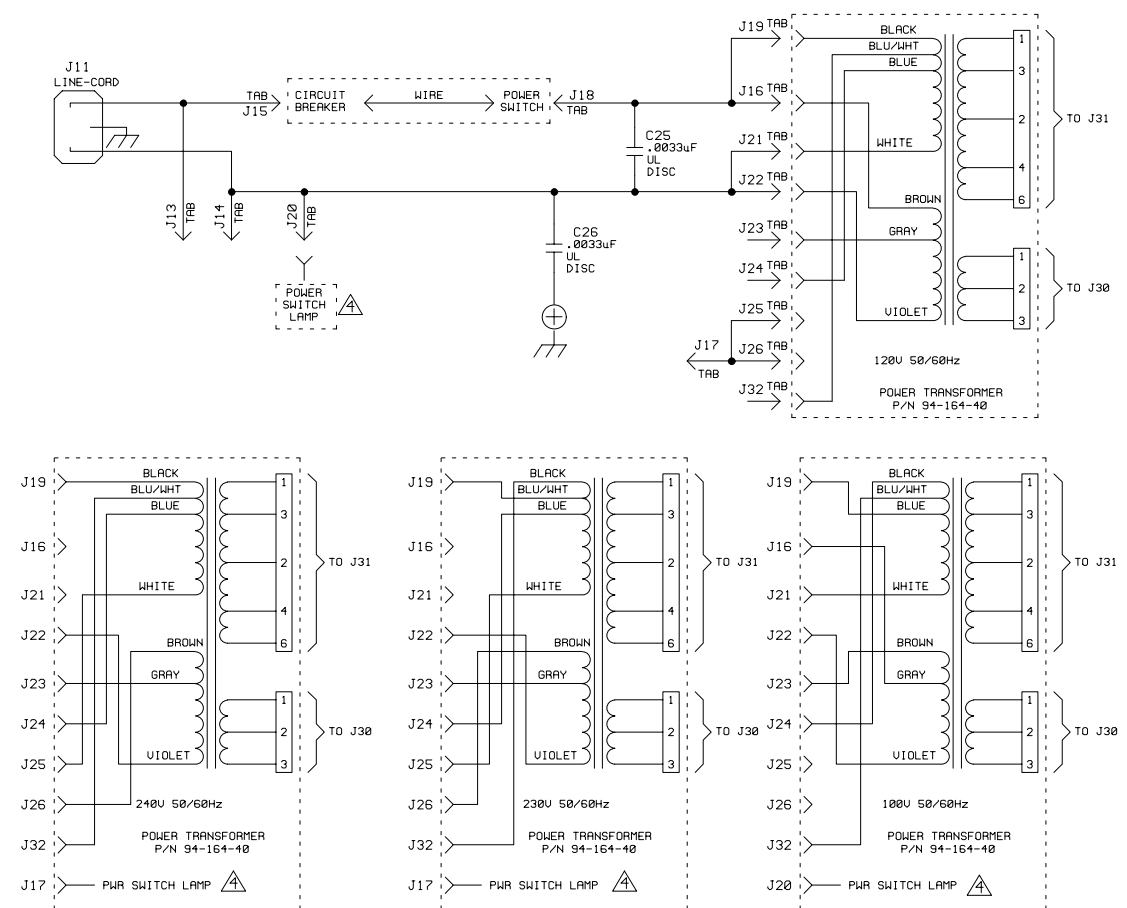
- 1) THIS UNIT CONTAINS HAZARDOUS VOLTAGE. DISCONNECT POWER AND BE SURE POWER SUPPLY IS DISCHARGED BEFORE TOUCHING INTERNAL PARTS.
- 2) UNLESS NOTED, RESISTOR VALUES IN OHMS, 1/4W-5% TOL. CAPACITOR VALUES IN MICROFARADS, 50V-10% TOL.
- 3) VOLTAGES ARE MEASURED WITH 1 MEGOHM OSCILLOSCOPE AND 10 MEGOHM DIGITAL VOLTMETER.

CAUTION:

THIS SCHEMATIC IS PROVIDED FOR USE BY QUALIFIED PERSONNEL. TO AVOID RISK OF ELECTRIC SHOCK, REFER SERVICING TO QUALIFIED SERVICE PERSONNEL. DO NOT PERFORM ANY SERVICING BEYOND THAT EXPLAINED IN THE OPERATING INSTRUCTIONS.

SHEETS 4, 5 & 6 OF THIS DRAWING REPRESENTS  
 ASSY P/N 07-442-11

REV:	DATE:	DESCRIPTION:	ECR/ECN NO.:	CHG'D BY:	APP'D BY:	DATE:
THIS INFORMATION CONTAINED ON THIS DRAWING IS PROPRIETARY TO ST. LOUIS MUSIC, INC.						
SIGNATURES:		DATE:	11800 Borman Dr. St. Louis, Missouri 63146			
DRAWN: REM	6-25-98		FIRST USED ON:			
CHK'D:			B-4R_BASS_AMP			
ALS'D:			DRAWING TITLE:			
DRAWING SIZE: D		POWER_AMP				
DRAWING TYPE: - SCHEMATIC		DRAWING NO.:				
CLASS CODE:		07S442-XX				
SCALE: NONE	SHEET: 5 OF 6					



- NOTES:
- 1) THIS UNIT CONTAINS HAZARDOUS VOLTAGE. DISCONNECT POWER AND BE SURE POWER SUPPLY IS DISCHARGED BEFORE TOUCHING INTERNAL PARTS.
  - 2) UNLESS NOTED, RESISTOR VALUES IN OHMS, 1/4W-5% TOL. CAPACITOR VALUES IN MICROFARADS, 50V-10% TOL.
  - 3) VOLTAGES ARE MEASURED WITH 1 MEGOHM OSCILLOSCOPE AND 10 MEGOHM DIGITAL VOLTMETER.
  - 4) IF REQUIRED FOR CHASSIS ASSY.

CAUTION:  
THIS SCHEMATIC IS PROVIDED FOR USE BY QUALIFIED PERSONNEL.  
TO AVOID RISK OF ELECTRIC SHOCK, REFER SERVICING TO QUALIFIED  
SERVICE PERSONNEL. DO NOT PERFORM ANY SERVICING BEYOND  
THAT EXPLAINED IN THE OPERATING INSTRUCTIONS.

TP	NO SIGNAL	40URMS OUT @ 8 OHMS	LIMITING @ 8 OHMS AS NOTED	WAVEFORM
13	VARIES w/TEMP	Varies w/TEMP.	Varies w/TEMP.	—
14	61Vac	51Vac	51Vac	~
15	61Vac	51Vac	51Vac	~
16	+14Vdc	-4.6Vdc	-4.6Vdc	~
17	+14.4Vdc	+14.4Vdc	+14.4Vdc	—
18	20Vac	19Vac	19Vac	~
19	20Vac	19Vac	19Vac	~
20	+71Vdc	+64.5Vdc	+64.5Vdc	~
21	+63Vdc	+59Vdc	+59Vdc	~
22	-63Vdc	-59Vdc	-59Vdc	~
23	-71Vdc	-64.5Vdc	-64.5Vdc	~
24	+6Vdc	+5.73Vdc	+5.73Vdc	—
25	NOT USED			
26	+15Vdc	+15Vdc	+15Vdc	—
27	-15Vdc	-15Vdc	-15Vdc	—
28	+14.3Vdc	+14.3Vdc	+14.3Vdc	—

SHEETS 4, 5 & 6 OF THIS DRAWING REPRESENTS  
ASSY P/N 07-442-11

REV:	DATE:	DESCRIPTION	ECR/ECN NO:	CHG'D BY:	APP'D BY:	DATE:
1		SEE_SHT_1_FOR_REV_HISTORY				
THIS INFORMATION CONTAINED ON THIS DRAWING IS PROPRIETARY TO ST. LOUIS MUSIC, INC.						
SIGNATURES:		DATE:	11888 Borman Dr. St. Louis, Missouri 1 63146			
DRAWN: REM		6-25-98				
CHK'D:			FIRST USED ON: B-4R_BASS_AMP			
ALS'D:						
TOLERANCES:	DRAWING SIZE: D	DRAWING TITLE: POWER_AMP				
	DRAWING TYPE: SCHEMATIC	DRAWING NO.: 07S442-XX				
	CLASS CODE:	SHEET: SHT 6 OF 6				
	SCALE: NONE					