

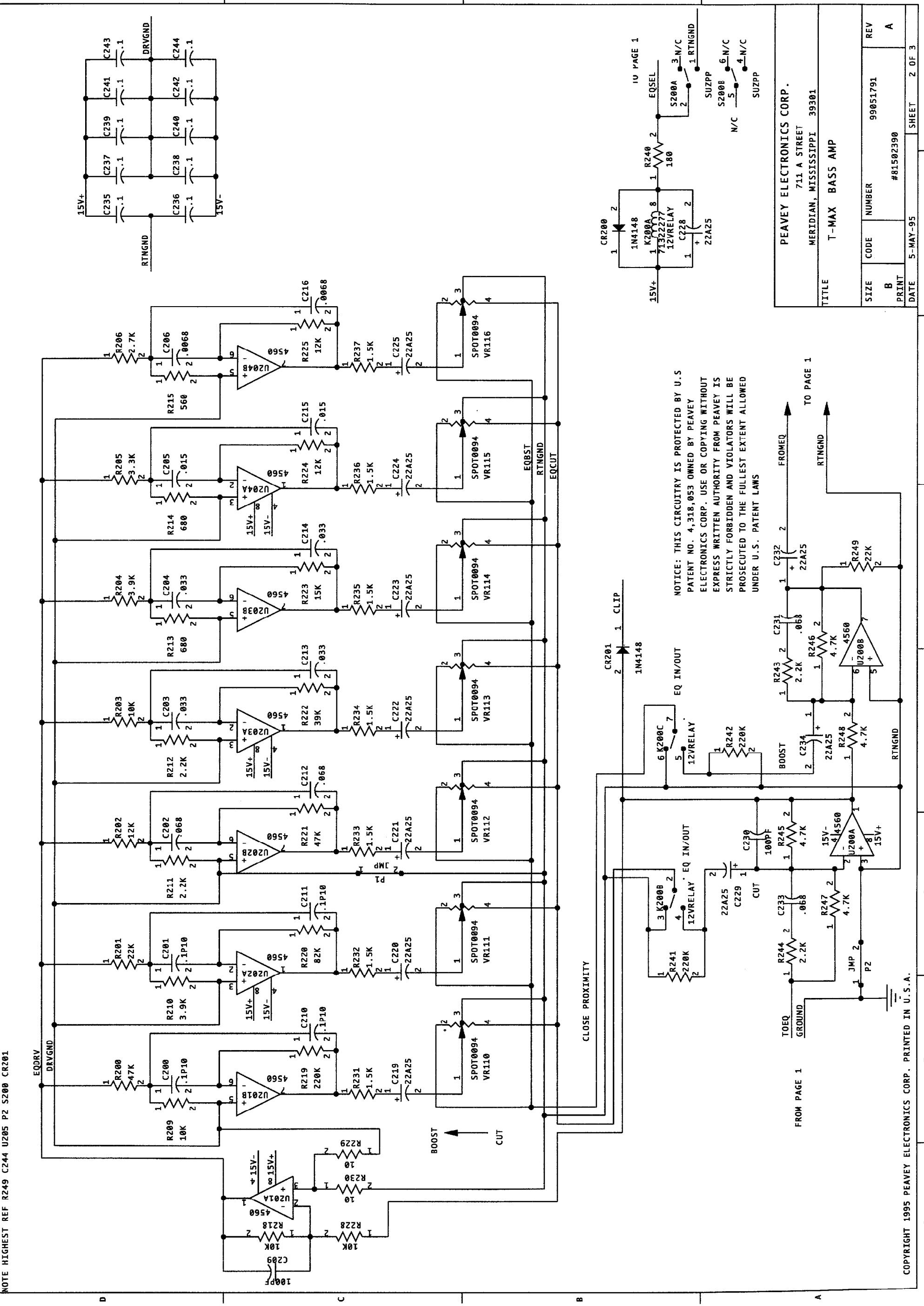
NOTE: VIA, V18, R1, R2, R3, R4, R5, R6, R7, C1, C2, C3, AND C4 WIRE ON THE POWER BD.

NOTE: RUN GROUND SHIELD PARALLEL TO SIGNAL "PREBO" TO PAGE 3

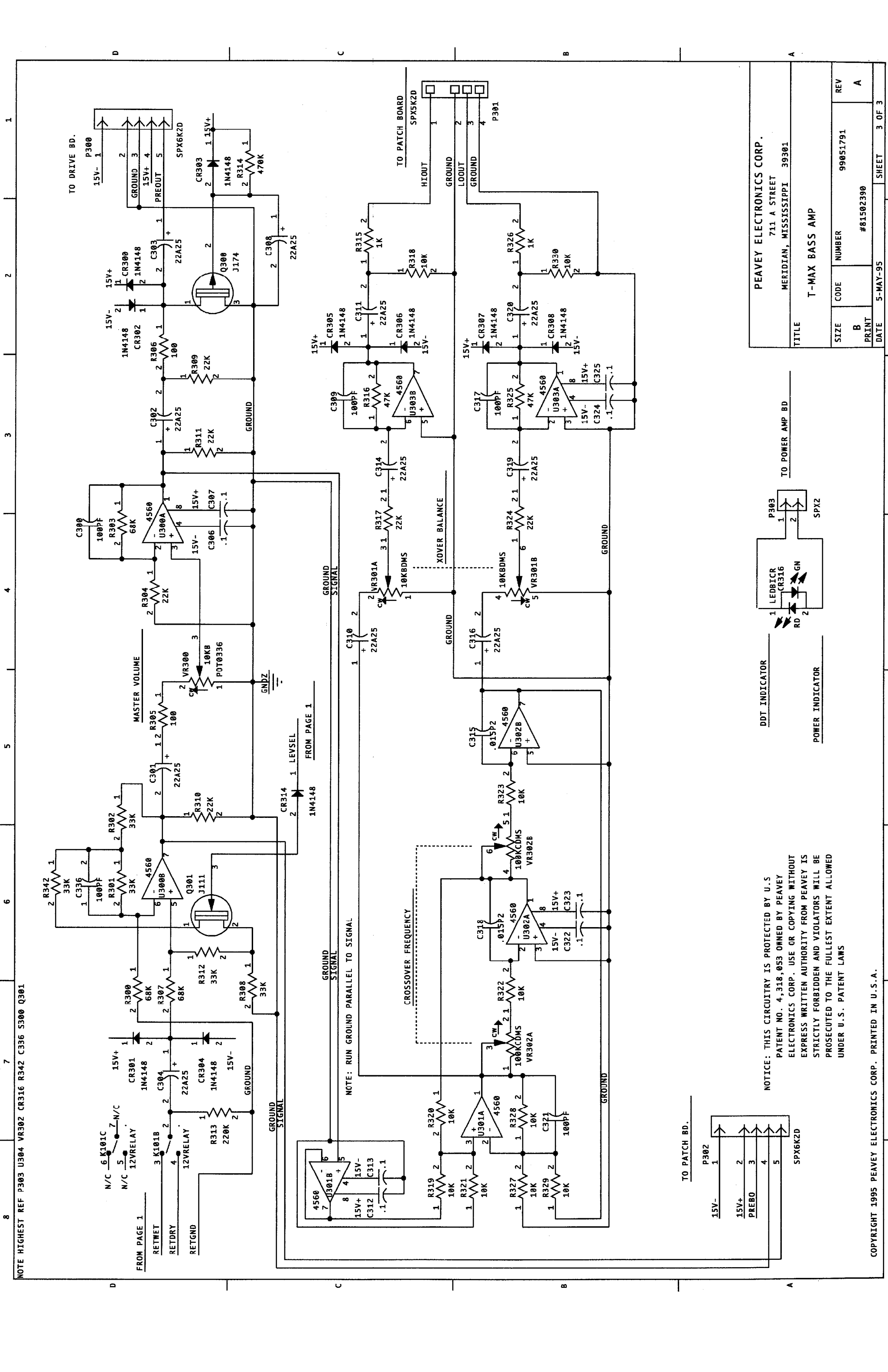
NOTE: RUN GROUND SHIELD PARALLEL TO SIGNAL "TOEQ" AND "RTNGND" PARALLEL TO "FROMEQ".

NOTE: THIS CIRCUITRY IS PROTECTED BY U.S. PATENT NO. 4,318,853 OWNED BY PEAVEY ELECTRONICS CORP. USE OR COPYING WITHOUT EXPRESS WRITTEN AUTHORITY FROM PEAVEY IS STRICTLY FORBIDDEN AND VIOLATORS WILL BE PROSECUTED TO THE FULLEST EXTENT ALLOWED UNDER U.S. PATENT LAWS

PEAVEY ELECTRONICS	
711 A. ST.	
Meriden, MS 39301	
TITLE	
T-MAX BASS AMP PREAMP	
SIZE	NUMBER
C	99951791
REV	A
DATE	5-MAY-95
DRAWN	#81592390
CHECKED	
APPROVED	
SHEET	1 OF 3



TITLE		T-MAX BASS AMP	
SIZE	CODE	NUMBER	REV
B		99051791	A
PRINT		#81502390	
DATE		5-MAY-95	
		SHEET	2 OF 3



NOTE HIGHEST REF P303 U304 VR302 CR316 R342 C336 S300 Q301

TO DRIVE BD. P300
15V- 1
GROUND 3
15V+ 4
PREOUT 5

TO PATCH BOARD
HIOUT
GROUND
LOOUT
GROUND
GROUND
P301

TO POWER AMP BD
P303
1 LEDBICR CR316
RD
GN
2 SPX2

DDT INDICATOR
POWER INDICATOR

TO PATCH BOARD
P302
15V- 1
15V+ 2
PREBO 3
4
5
SPX6K2D

NOTE: RUN GROUND PARALLEL TO SIGNAL

CROSSOVER FREQUENCY

XOVER BALANCE

FROM PAGE 1
1 LEVSEL
FROM PAGE 1

FROM PAGE 1
RETNET
RETDRY
RETGND

TO DRIVE BD. P300
15V- 1
GROUND 3
15V+ 4
PREOUT 5

TO PATCH BOARD
HIOUT
GROUND
LOOUT
GROUND
GROUND
P301

TO POWER AMP BD
P303
1 LEDBICR CR316
RD
GN
2 SPX2

DDT INDICATOR
POWER INDICATOR

TO PATCH BOARD
P302
15V- 1
15V+ 2
PREBO 3
4
5
SPX6K2D

NOTE: RUN GROUND PARALLEL TO SIGNAL

CROSSOVER FREQUENCY

XOVER BALANCE

FROM PAGE 1
1 LEVSEL
FROM PAGE 1

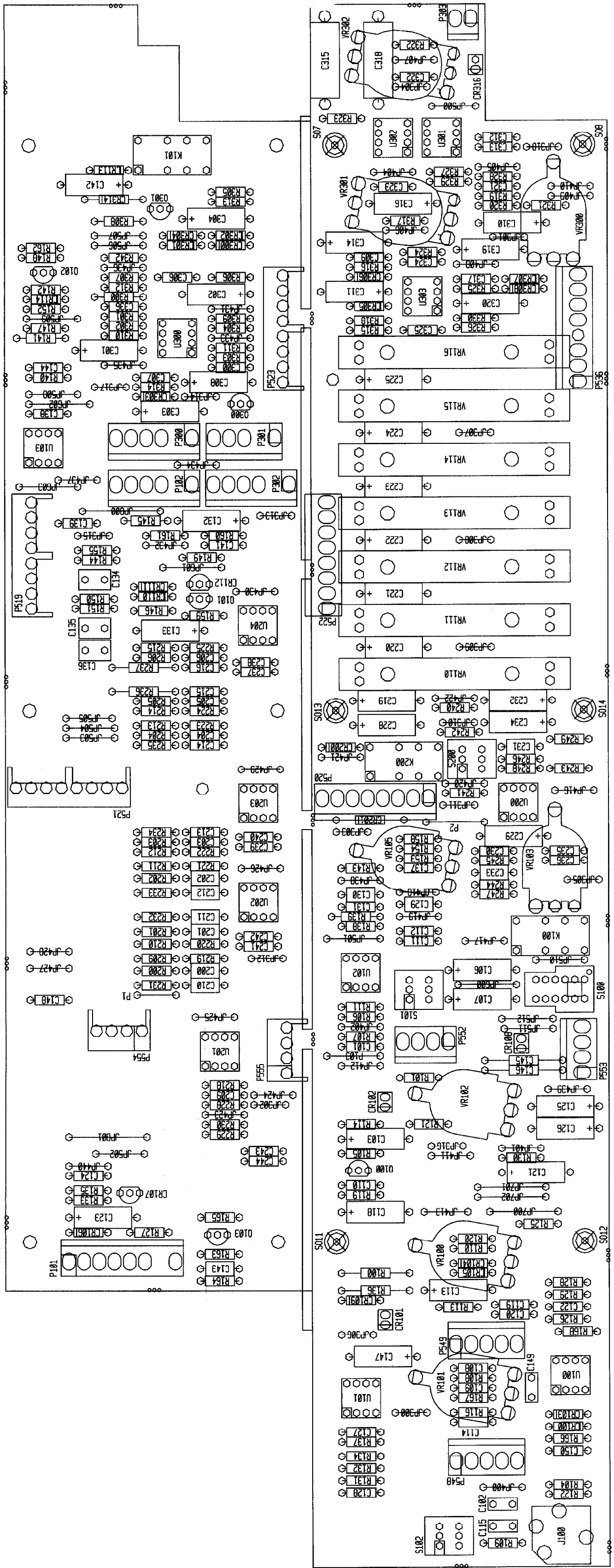
FROM PAGE 1
RETNET
RETDRY
RETGND

TITLE		REV	
PEAVEY ELECTRONICS CORP. 711 A STREET MERIDIAN, MISSISSIPPI 39301		99051791 A	
SIZE	CODE	NUMBER	PRINT
B	B	#81502390	A
DATE	SHEET		3 OF 3
5-MAY-95			

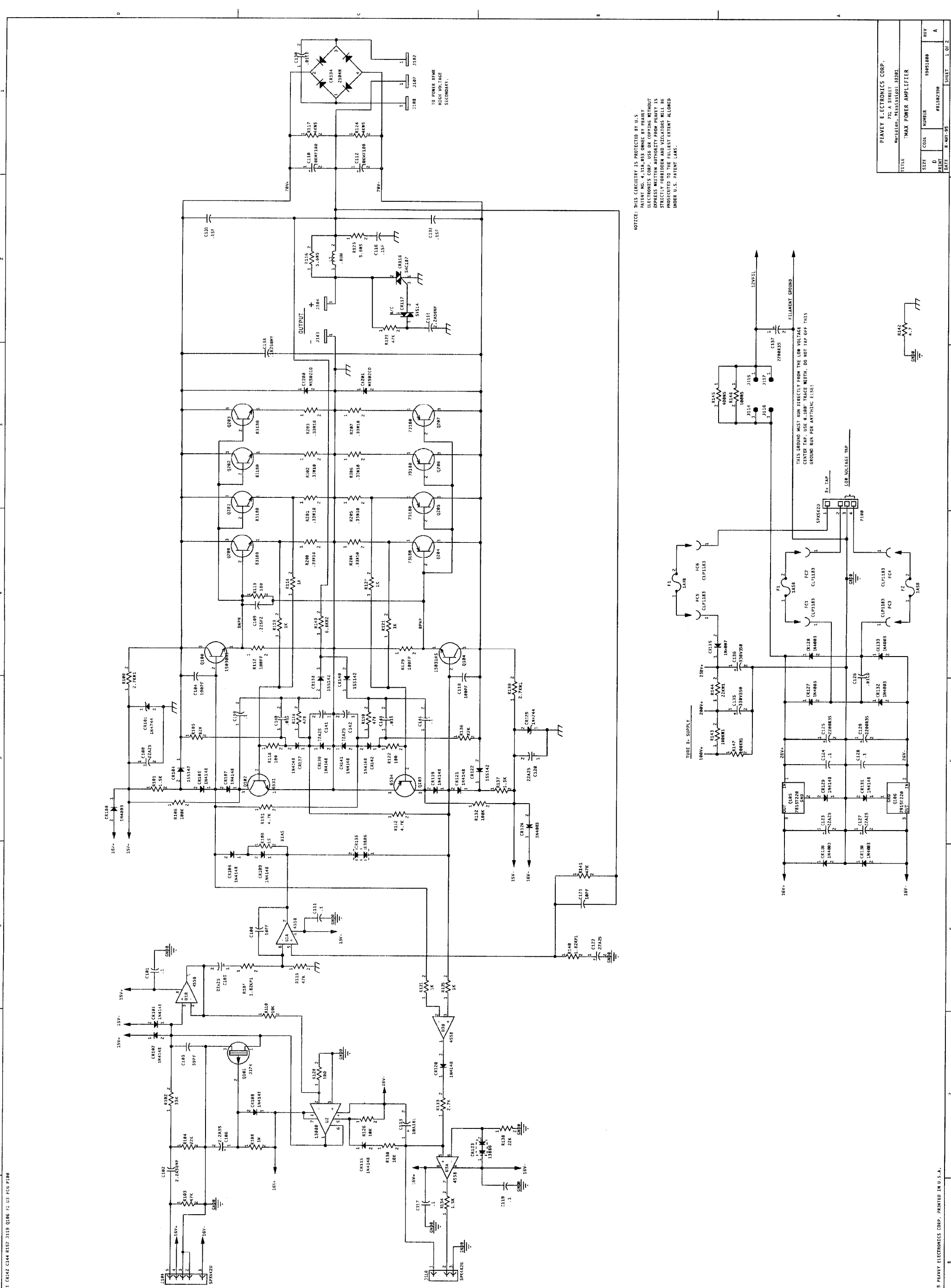
T-MAX BASS AMP

NOTICE: THIS CIRCUITRY IS PROTECTED BY U.S. PATENT NO. 4,318,053 OWNED BY PEAVEY ELECTRONICS CORP. USE OR COPYING WITHOUT EXPRESS WRITTEN AUTHORITY FROM PEAVEY IS STRICTLY FORBIDDEN AND VIOLATORS WILL BE PROSECUTED TO THE FULLEST EXTENT ALLOWED UNDER U.S. PATENT LAWS

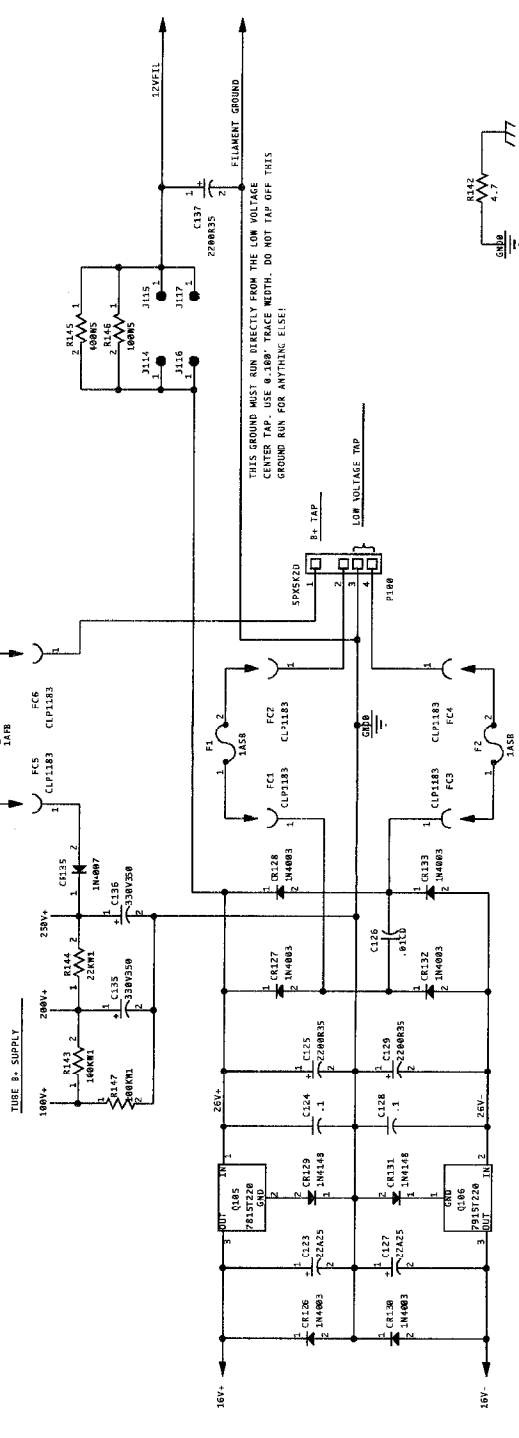
COPYRIGHT 1995 PEAVEY ELECTRONICS CORP. PRINTED IN U.S.A.



T-MAX PRE-AMP

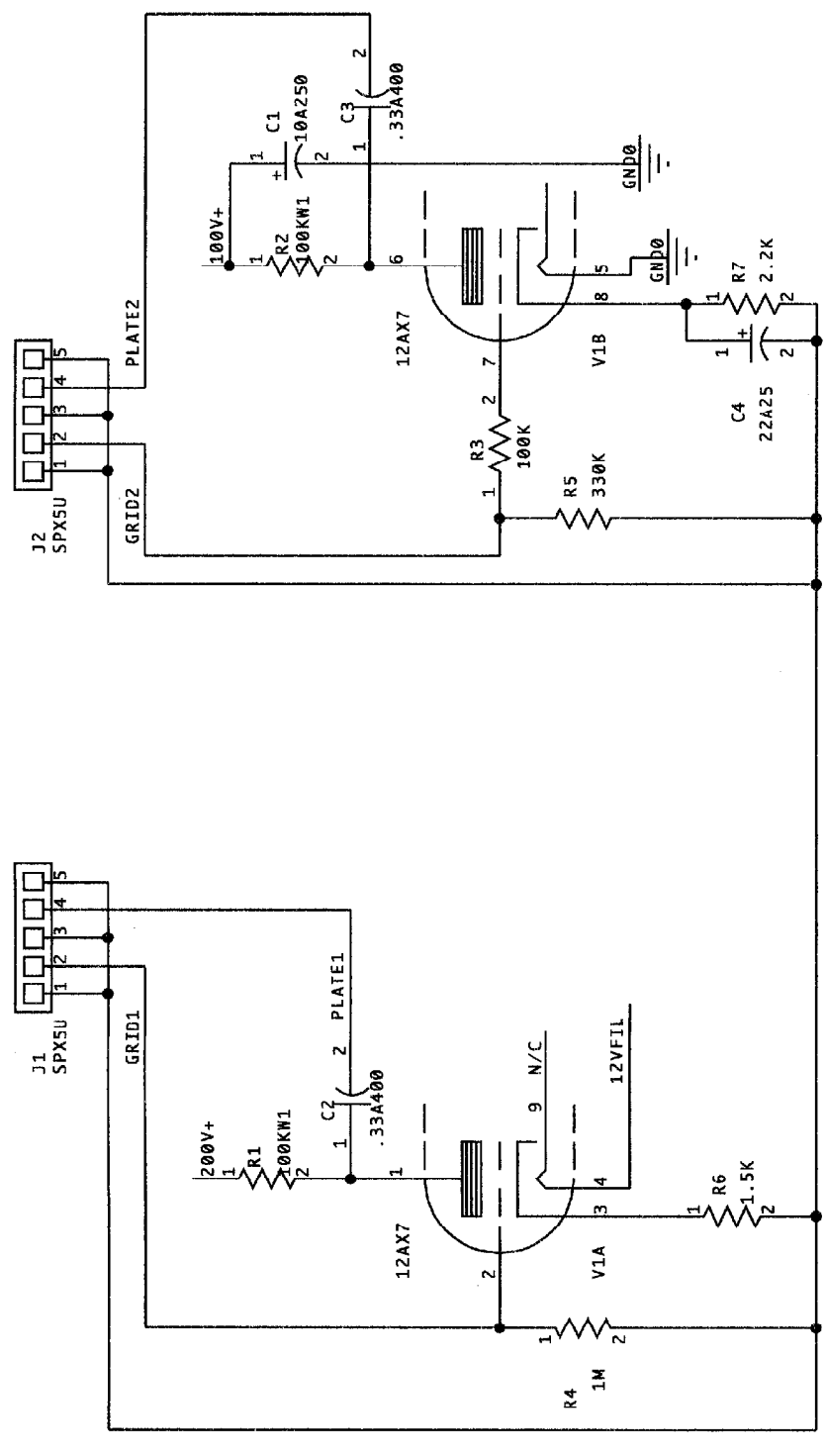


NOTICE: THIS CIRCUITRY IS PROTECTED BY U.S. PATENT NO. 4,314,853 OWNED BY PEAVEY ELECTRONICS CORP. USE OR OPTING WITHOUT EXPRESS WRITTEN AUTHORITY FROM PEAVEY IS STRICTLY FORBIDDEN AND VIOLATORS WILL BE PROSECUTED TO THE FULLEST EXTENT ALLOWED UNDER U.S. PATENT LAWS.



PEAVEY ELECTRONICS CORP.	
711 A STREET	
MCLEOD, MISSISSIPPI 39301	
TITLE	TMAX POWER AMPLIFIER
SIZE	REV
D	99951800
REV	#1592399
DATE	R. MAY 95
SHEET 1 OF 2	

CONNECTORS TO PREAMP BOARD

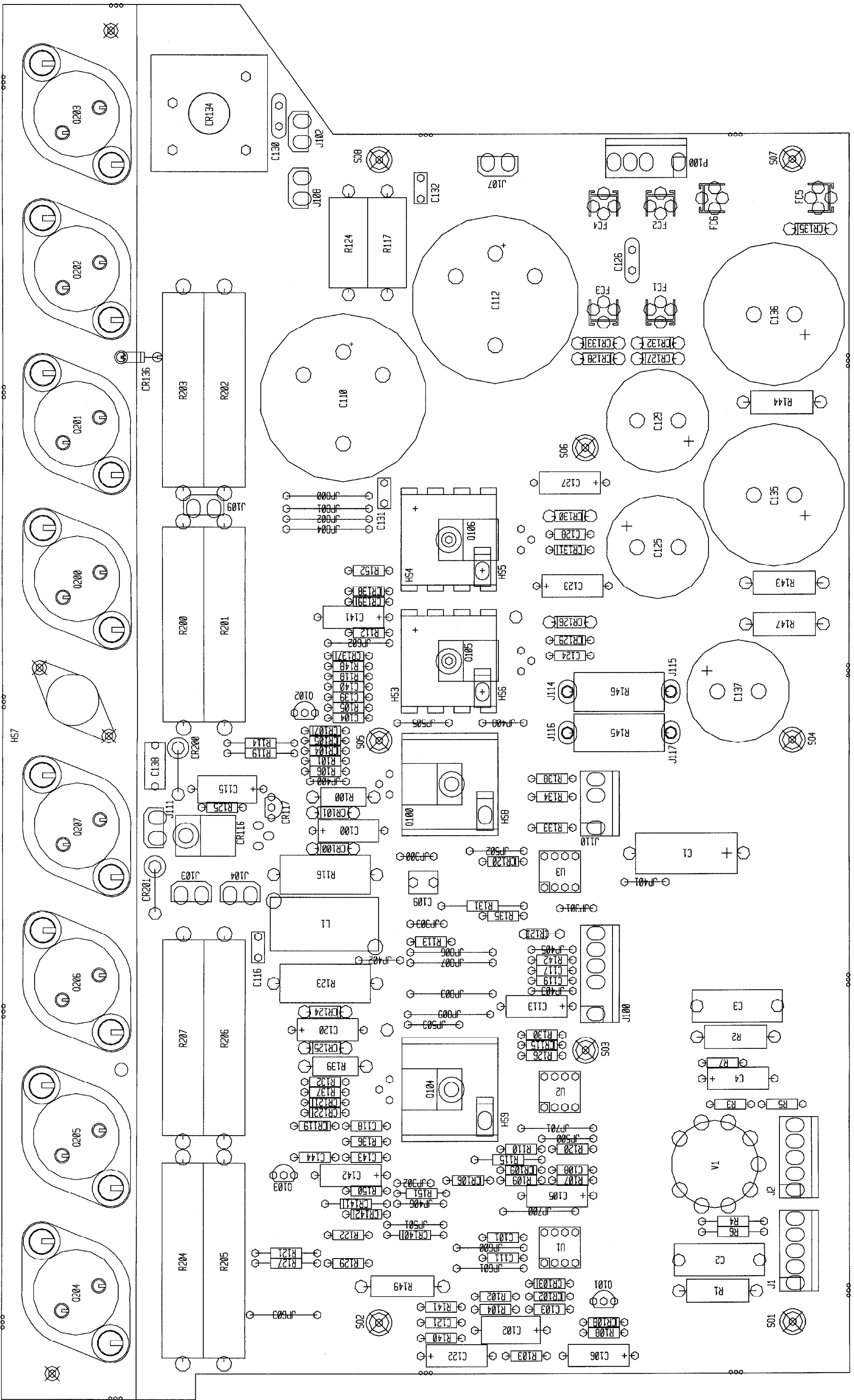


NOTICE: THIS CIRCUITRY IS PROTECTED BY U.S. PATENT NO. 4,318,053 OWNED BY PEAVEY ELECTRONICS CORP. USE OR COPYING WITHOUT EXPRESS WRITTEN AUTHORITY FROM PEAVEY IS STRICTLY FORBIDDEN AND VIOLATORS WILL BE PROSECUTED TO THE FULLEST EXTENT ALLOWED UNDER U.S. PATENT LAWS

PEAVEY ELECTRONICS CORP.
711 A STREET
MERIDIAN, MISSISSIPPI 39301

TITLE
TMAX PWR AMP

SIZE B	CODE NUMBER	99051800	REV A
PRINT DATE	#81502390		SHEET 2 OF 2



T-MAX POWER BD.

BOARD NAME: TMAXPWR
 ASSEMBLY LEVEL NUMBER: 99051800

QTY.	PART	VALUE	PART	DESCRIPTION AND	1	100FP	100FP	70240096	100FP-1/4W-5%-FP-T&R
1	13886	70413866	13886	SZ-13886-2 DUAL DIODE	1	100FP	100FP	70240096	100FP-1/4W-5%-FP-T&R
1	1M4003	1M4003	1M4003	1M4003 200V SILICON DIODE	1	180	180	70240012	180-1/4W-5%-CF-T&R
1	1M4744	70440112	70440112	SZG40102 15V 5% ZENER DIODE	1	1K	1K	70240017	1K-1/4W-5%-CF-T&R
3	1M4003	1M4003	1M4003	1M4003 200V SILICON DIODE	3	47K	47K	70240031	47K-1/4W-5%-CF-T&R
1	1M4148	70464148	70464148	1M4148 75V 10MA SILICON DIODE	1	5.6W5	5.6W5	70250026	5.6-5W-10%-WF-AXL
1	1M4003	70464003	70464003	1M4003 200V SILICON DIODE	1	4KW5	4KW5	70250050	4K-5W-10%-WF-AXL
1	1M4148	70464148	70464148	1M4148 75V 10MA SILICON DIODE	1	100	100	70240010	100-1/4W-5%-CF-T&R
2	1M4003	70464003	70464003	1M4003 200V SILICON DIODE	2	1K	1K	70240017	1K-1/4W-5%-CF-T&R
1	2504K	70402504	70402504	BR. RECT. 400V, 25A, WIRE LEADS	1	100	100	70240010	100-1/4W-5%-CF-T&R
1	1M4007	70464007	70464007	1M4007 1KV, 1A, SILICON DIODE	1	1K	1K	70240017	1K-1/4W-5%-CF-T&R
1	13886	70413886	70413886	SZ-13886-2 DUAL DIODE	1	100	100	70240010	100-1/4W-5%-CF-T&R
1	1M4148	70464148	70464148	1M4148 75V 10MA SILICON DIODE	1	5.6W5	5.6W5	70250026	5.6-5W-10%-WF-AXL
1	1SS142	70400142	70400142	1SS142 250V SILICON DIODE	1	47K	47K	70240031	47K-1/4W-5%-CF-T&R
1	1M4148	70464148	70464148	1M4148 75V 10MA SILICON DIODE	1	10K	10K	70240025	10K-1/4W-5%-CF-T&R
1	1SS142	70400142	70400142	1SS142 250V SILICON DIODE	1	1K	1K	70240017	1K-1/4W-5%-CF-T&R
2	1M4148	70464148	70464148	1M4148 75V 10MA SILICON DIODE	2	100FP	100FP	70240096	100FP-1/4W-5%-FP-T&R
2	MR502CD	70400502	70400502	MR502/IN5402 200V, 3A SILICON DIODE - DMPH DOWN	2	10K	10K	70240025	10K-1/4W-5%-CF-T&R
6	CP1183	71901183	71901183	FUSECLIP, PC MT - T&A	6	1K	1K	70240017	1K-1/4W-5%-CF-T&R
2	HS2522	98002522	98002522	FC1, FC2, FC3, FC4, FC5, FC6	2	1K	1K	70240017	1K-1/4W-5%-CF-T&R
2	SPX1U	73717003	73717003	3/8" HEATSINK PUNCHED	2	100K	100K	70240034	100K-1/4W-5%-CF-T&R
1	HS3002	98003002	98003002	1 STAKE PIN	1	2.7K	2.7K	70240021	2.7K-1/4W-5%-CF-T&R
2	SPX1U	73717003	73717003	L-BAR HEATSINK 1400BG/240SC	2	1.5K	1.5K	70240018	1.5K-1/4W-5%-CF-T&R
2	SPX5U	73717003	73717003	1 STAKE PIN	2	1K	1K	70240017	1K-1/4W-5%-CF-T&R
2	SPX5U	73717003	73717003	5 EACH OF STAKE PINS	2	82K	82K	70240033	82K-1/4W-5%-CF-T&R
1	SPX6K2U	XXXXXXX	XXXXXXX	5 EACH OF STAKED PINS	1	1.5K	1.5K	70240018	1.5K-1/4W-5%-CF-T&R
6	SFU	73716194	73716194	280 PC MNT SPADE .093 PCB	6	22K	22K	70240029	22K-1/4W-5%-CF-T&R
1	SPX4K2U	XXXXXXX	XXXXXXX	102 J103 J104 J107 J108 J109	1	2.7K	2.7K	70240016	2.7K-1W-5%-MO-T&R
1	SFU	73716194	73716194	3 EACH OF STAKE PINS	1	2.7K	2.7K	70240016	2.7K-1W-5%-MO-T&R
4	MFP	73711812	73711812	.250 PC MNT SPADE .093 PCB	4	1.82K	1.82K	70241078	1.82K-1/4W-1%-CF-T&R
1	.8UH	70519917	70519917	R93-12 PN C.B. MALE MOLEX PIN	1	47K	47K	70240031	47K-1/4W-5%-CF-T&R
1	SPX5K2D	73717003	73717003	J14, J15, J16, J17	1	4.7	4.7	70240002	4.7-1/4W-5%-CF-T&R
1	1503JHS	15030JHS	70415030	.8UH AIR CORE COIL / CS1200	1	100K	100K	70210017	100K-1W-5%-MO-T&R
1	J174	70460174	70460174	4 EACH OF STAKED PINS	1	4.7	4.7	70240002	4.7-1/4W-5%-CF-T&R
1	6531	70466531	70466531	MTE-15030 NPN TO-220 DRIVER TRANSISTOR	1	22K	22K	70210005	22K-1W-5%-MO-T&R
1	6534	70466534	70466534	J-174 30V TO-92 P-CHAN RET T&A	1	400W5	400W5	70250062	400-5W-10%-WF-AXL
1	15031HS	15031HS	70415031	YFS-6531 TO92 NPN TRANS. T&A	1	100W5	100W5	70250006	100-5W-10%-WF-AXL
1	7815T220	7815	70400340	YFS-6533/34 TO-92 PNP TRANS T&A	1	470	470	70240015	470-1/4W-5%-CF-T&R
1	7915T220	7915	70400320	MTE-15031 PNP TO-220 DRIVER TRANSISTOR	1	6.8K	6.8K	70250052	6.8K-2W-5%-HF-T&R
4	83189	83189	70483189	7815 15V 1A POS TO-220 RG	4	470	470	70240015	470-1/4W-5%-CF-T&R
4	73189	73189	70473189	7915 15V 1A NEG TO 220 RG	4	4.7K	4.7K	70240023	4.7K-1/4W-5%-CF-T&R
2	100KWI	100KWI	70210017	SC-8180 NPN 3A 180V TO-3 PWR TRANS	2	.33W10	.33W10	70250011	.33-10W-10%-WF-AXL
1	100K	100K	70240034	C200, Q201, Q202, Q203	1	8 250SMD	8 250SMD	70900785	8 250SMD
1	1M	1M	70240039	SC-73180 PNP 3A 180V TO-3 PWR TRANS	1	1 4558	1 4558	70404558	1 4558
1	330K	330K	70240037	C204, Q205, Q206, Q207	1	13080	13080	70413080	13080
1	1.5K	1.5K	70240018	100K-1W-5%-MO-T&R	1	4558	4558	70404558	4558
1	2.2K	2.2K	70240020	100K-1/4W-5%-CF-T&R	1	12AX7	12AX7	70806612	12AX7
1	2.7K	2.7K	70210016	100K-1W-5%-MO-T&R	1	*****	*****	*****	*****
1	1.5K	1.5K	70240018	100K-1/4W-5%-CF-T&R	1	8 250SMD	8 250SMD	70900785	8 250SMD
1	33K	33K	70240030	100K-1/4W-5%-CF-T&R	1	1 4558	1 4558	70404558	1 4558
1	47K	47K	70240031	100K-1/4W-5%-CF-T&R	1	13080	13080	70413080	13080
1	22K	22K	70240029	100K-1/4W-5%-CF-T&R	1	4558	4558	70404558	4558
1	82K	82K	70240033	100K-1/4W-5%-CF-T&R	1	12AX7	12AX7	70806612	12AX7
1	100K	100K	70240034	100K-1/4W-5%-CF-T&R	1	*****	*****	*****	*****
1	1.82K	1.82K	70241078	100K-1/4W-5%-CF-T&R	1	8 250SMD	8 250SMD	70900785	8 250SMD
1	1M	1M	70240039	100K-1/4W-5%-CF-T&R	1	1 4558	1 4558	70404558	1 4558
1	15	15	70240005	100K-1/4W-5%-CF-T&R	1	13080	13080	70413080	13080
1	10K	10K	70240025	100K-1/4W-5%-CF-T&R	1	4558	4558	70404558	4558