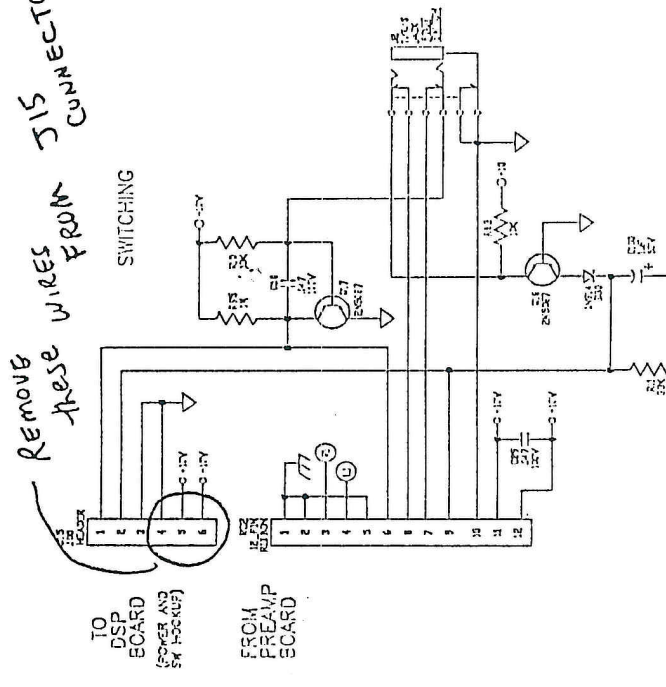
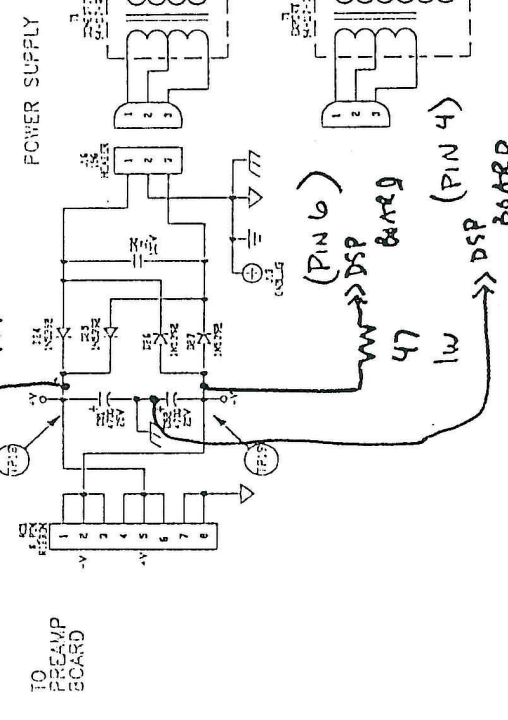


Remove these wires from TIS WINDING



TO DSP BOARD (PIN 5)



TO PREAMP BOARD

PIN	AC VOLTS	DC VOLTS	WAVEFORM
1	60V P-P	---	---
2	4.2V P-P	1V DC	---
3	60V P-P	3.2V DC	---
4	---	---	---
5	17V P-P	---	---
6	6.4V P-P	---	---
7	---	---	---
8	3.6V P-P	---	---
9	6.2V P-P	---	---
10	15V P-P	---	---
11	1V P-P	---	---
12	2V P-P	---	---
13	2V P-P	---	---
14	10V P-P	---	---
15	16V P-P	---	---
16	35V P-P	---	---
17	30V P-P	---	---
18	2V P-P RP	+15.3V DC	---
19	2V P-P RP	-15.3V DC	---
20	4V P-P RP	+10.3V DC	---
21	4V P-P RP	-10.3V DC	---
22	20V P-P RP	+7.2V DC	---
23	20V P-P RP	-7.2V DC	---

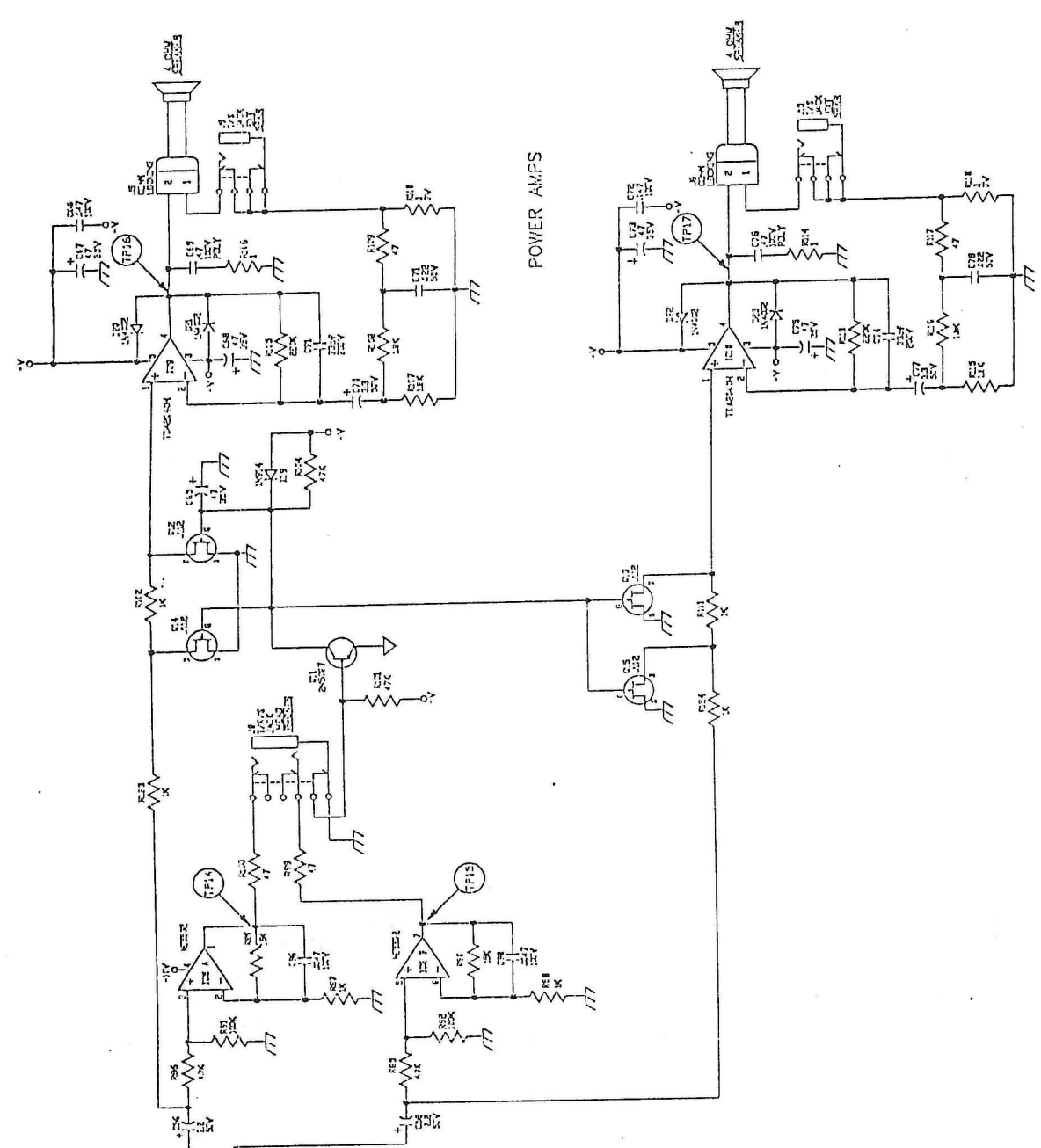
CHASSIS IS COMMON TO ALL CHANNELS & IS MOSTLY GND.
DC LEVEL & DC VOLTS 0V.
AC LEVEL 100V 250V P-P

PIN	AC VOLTS	DC VOLTS	WAVEFORM
1	60V P-P	---	---
2	4.2V P-P	---	---
3	60V P-P	---	---
4	---	---	---
5	17V P-P	---	---
6	6.4V P-P	---	---
7	---	---	---
8	3.6V P-P	---	---
9	6.2V P-P	---	---
10	15V P-P	---	---
11	1.2V P-P	---	---
12	2V P-P	---	---
13	2V P-P	---	---
14	10V P-P	---	---
15	16V P-P	---	---
16	35V P-P	---	---
17	30V P-P	---	---
18	2V P-P RP	+15.3V DC	---
19	2V P-P RP	-15.3V DC	---
20	4V P-P RP	+10.3V DC	---
21	4V P-P RP	-10.3V DC	---
22	20V P-P RP	+7.2V DC	---
23	20V P-P RP	-7.2V DC	---

CHASSIS IS COMMON TO ALL CHANNELS & IS MOSTLY GND.
DC LEVEL & DC VOLTS 0V.
AC LEVEL 100V 250V P-P

- NOTES
- 1) CAUTION! SHOCK HAZARDOUS! THIS UNIT CONTAINS HAZARDOUS VOLTAGE. DISCONNECT POWER AND BE SURE POWER SUPPLY IS DISCHARGED BEFORE TOUCHING INTERNAL PARTS.
 - 2) UNLESS NOTED, RESISTOR VALUES IN DRWS, 1/4W-5% TOL. CAPACITOR VALUES IN MICROFARADS, 50V-10% TOL.
 - 3) VOLTAGES ARE MEASURED WITH 1 MEGOHM OSCILLOSCOPE AND 10 MEGOHM DIGITAL VOLTMETER.
 - 4) CIRCUIT GROUND \Uparrow SWITCH GROUND \Uparrow CHASSIS GROUND \Uparrow

CAUTION: THIS SCHEMATIC IS PROVIDED FOR USE BY QUALIFIED PERSONNEL. TO AVOID RISK OF ELECTRIC SHOCK, REFER SERVICING TO QUALIFIED SERVICE PERSONNEL. DO NOT PERFORM ANY SERVICING BEYOND THAT EXPLAINED IN THE OPERATING INSTRUCTIONS.



REV	DATE	BY	CHK'D	DATE	SIGNATURES:	DATE
3	01/03/92	SWR		11/06/92	MCA	11/06/92
2	01/03/92	SWR		11/06/92	OK	11/06/92
1	01/14/92	SWR		11/06/92	OK	11/06/92

DESCRIPTION: CHANGED VALUE OF R48 FROM 1.2K TO 2.7K
CHANGED VALUE OF R18, R23, R27, R78, R52, C21, C22, C54, C55, & C104. DELETED R35.

DESIGNED BY: TERRY BORDUK DR.
ST. LOUIS, MISSOURI 63148

PROJECT NAME: GX-40CDSP GUITAR AMP

DRAWING NAME: SCHEMATIC DRAWING

PLCT DATE: 03/04/93

FILE NAME: 0522555

DRAWING NO.: 07S238-02

SCALE: NONE

SHEET: 2 OF 2