

L2131C/* 6 A rating
L2133C/* 2 A rating
L2136C/* 1 A rating

3-pole filtered appliance
inlet with end terminations

Approved: SEMKO, VDE, SEV
UL recognition

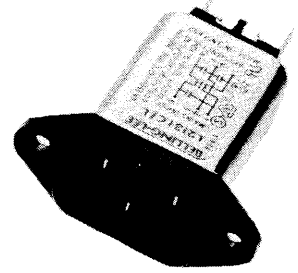
These filtered inlets are made to the highest standards complying with the safety and operational requirements of most approval authorities.

Widely used to protect business machines, computer peripherals and

electronic test instruments against mains borne transients.

These filters comply with BS613. The mating face is in accordance with CEE 22 (IEC 320) standard sheet VI and accepts connectors to sheet V (L1920 etc).

Metal case provides excellent screening.



Ordering reference: _____ **L2131C/L or L2131C/S**
_____ **L2133C/L or L2133C/S**
_____ **L2136C/L or L2136C/L**

L2132C/L 6 A rating
L2134C/L 2 A rating
L2137C/L 1 A rating

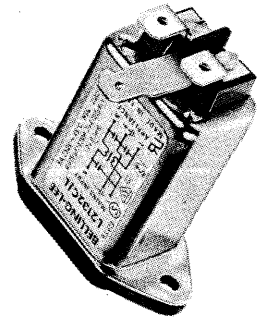
As above but with connections set at 90°. Available in large tag size only.

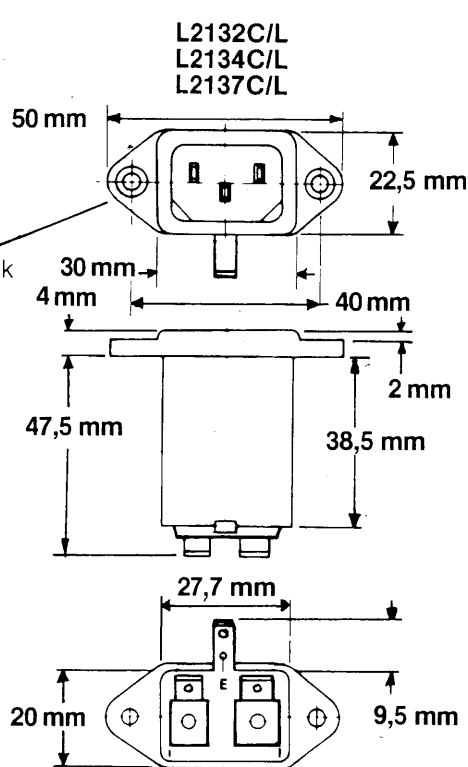
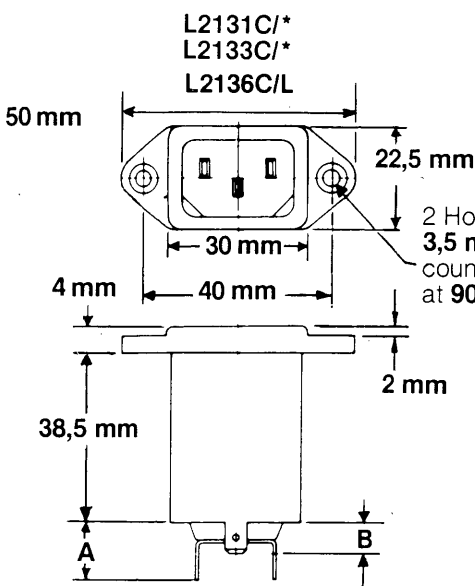
Ordering reference: _____ **L2132C/L**
_____ **L2134C/L**
_____ **L2137C/L**

Electrical specification

Current rating: _____ 1,2 or 6 A
Frequency: _____ 0-400 Hz
Operating voltage: _____ 250 V (max.)
Temperature range: _____ -25 °C to + 70 °C
Voltage drop per line at rated current: _____ <1 V
Earth leakage current: _____ <0,75 mA at 250 V 50 Hz according to IEC 348
Capacitor: _____ 4700 pF per line to earth (Class Y)
_____ 0,015 µF between lines (Class X)
Inductance: _____ 1 A: 11 mH
_____ 2 A: 3 mH
_____ 6 A: 700 µH

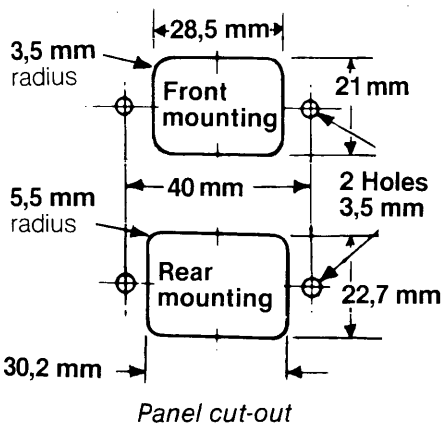
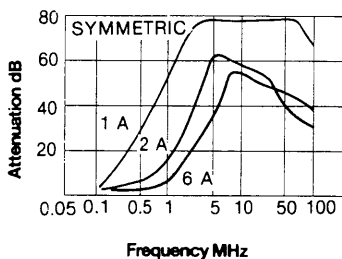
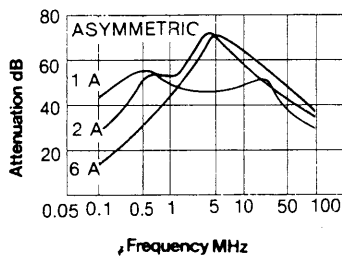
Terminations: _____ * Suffix L accepts 6,3 mm × 0,81 mm quick connect or solder
_____ * Suffix S accepts 4,75 mm × 0,51 mm quick connect or solder





	A	B
L2131C/L L2133C/L	16 mm	11 mm
L2131C/S L2133C/S	13 mm	8,3 mm

Typical performance when measured to B.S. 613—1977



All are suitable for front or rear panel mounting.