

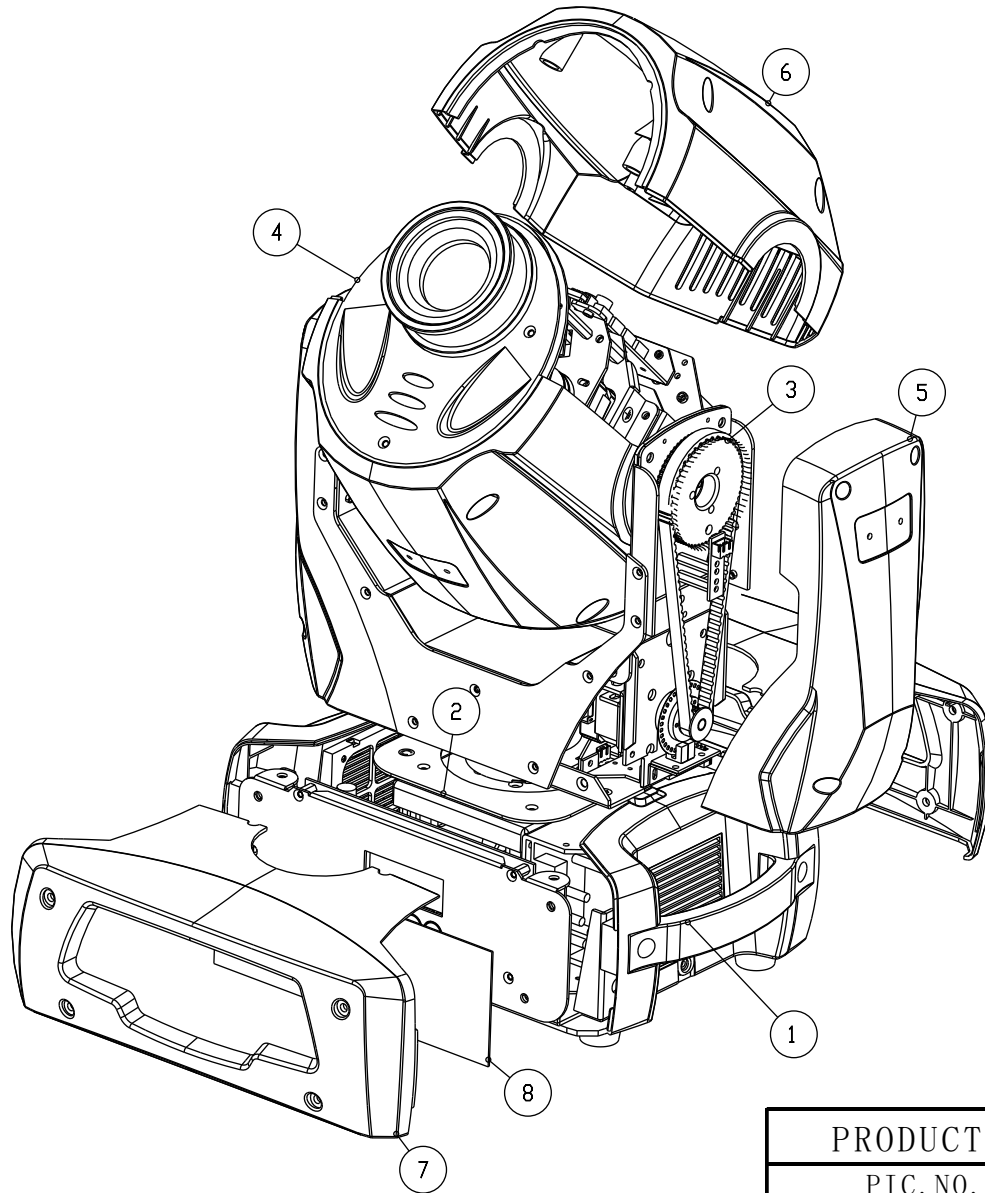
Service manual

DMH-30

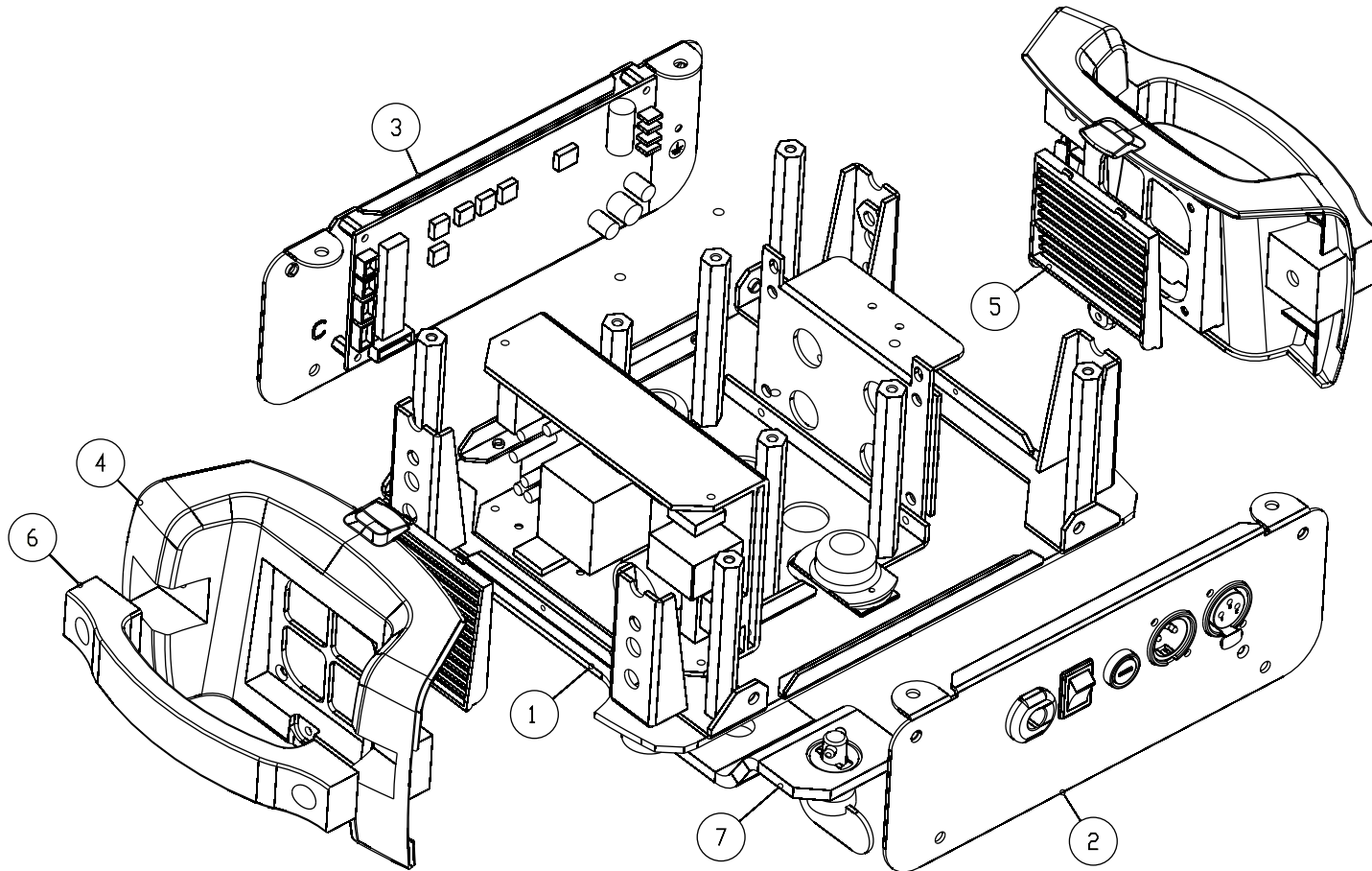
- ✘ **Exploded Diagrams**
- ✘ **Circuit Diagrams**
- ✘ **Wiring Diagrams**
- ✘ **Parts List**



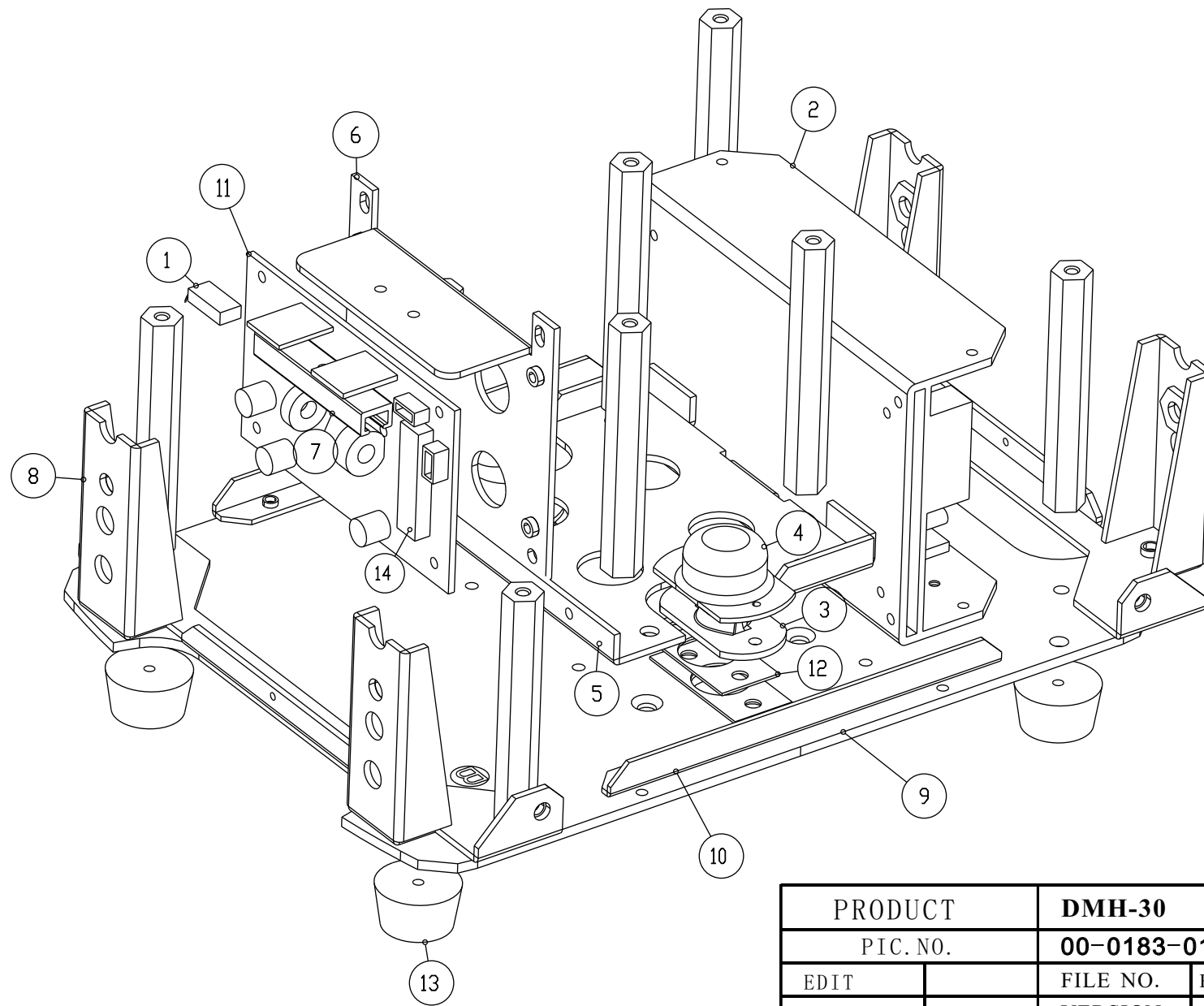
PRODUCT		DMH-30		
PIC. NO.		Front Page	Series No.	51841825X10NXS00010001-10050
EDIT		FILE NO.	HY-EXP-786A	
CHECK		ORDER NO.	So20100705/60997	
APPROVE		VERSION	NR	SOFTWARE VER. V1.0



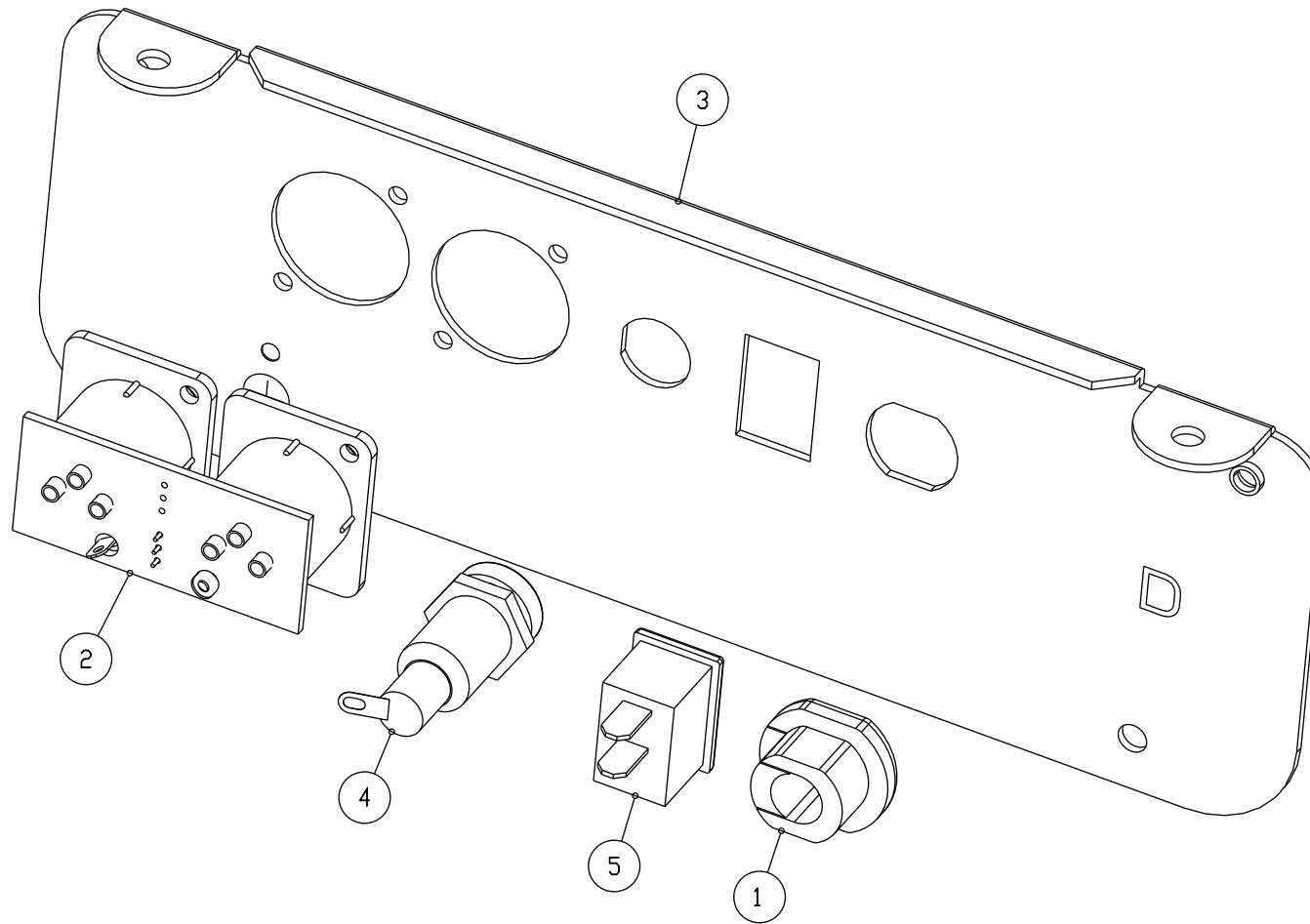
PRODUCT		DMH-30			
PIC. NO.		13-0078-00-00-00			
EDIT		FILE NO.	HY-EXP-786A	PAGE NO.	1/19
CHECK		VERSION	NR	DATE	2011.04.20
APPROVE		ECN NO.		DATE	



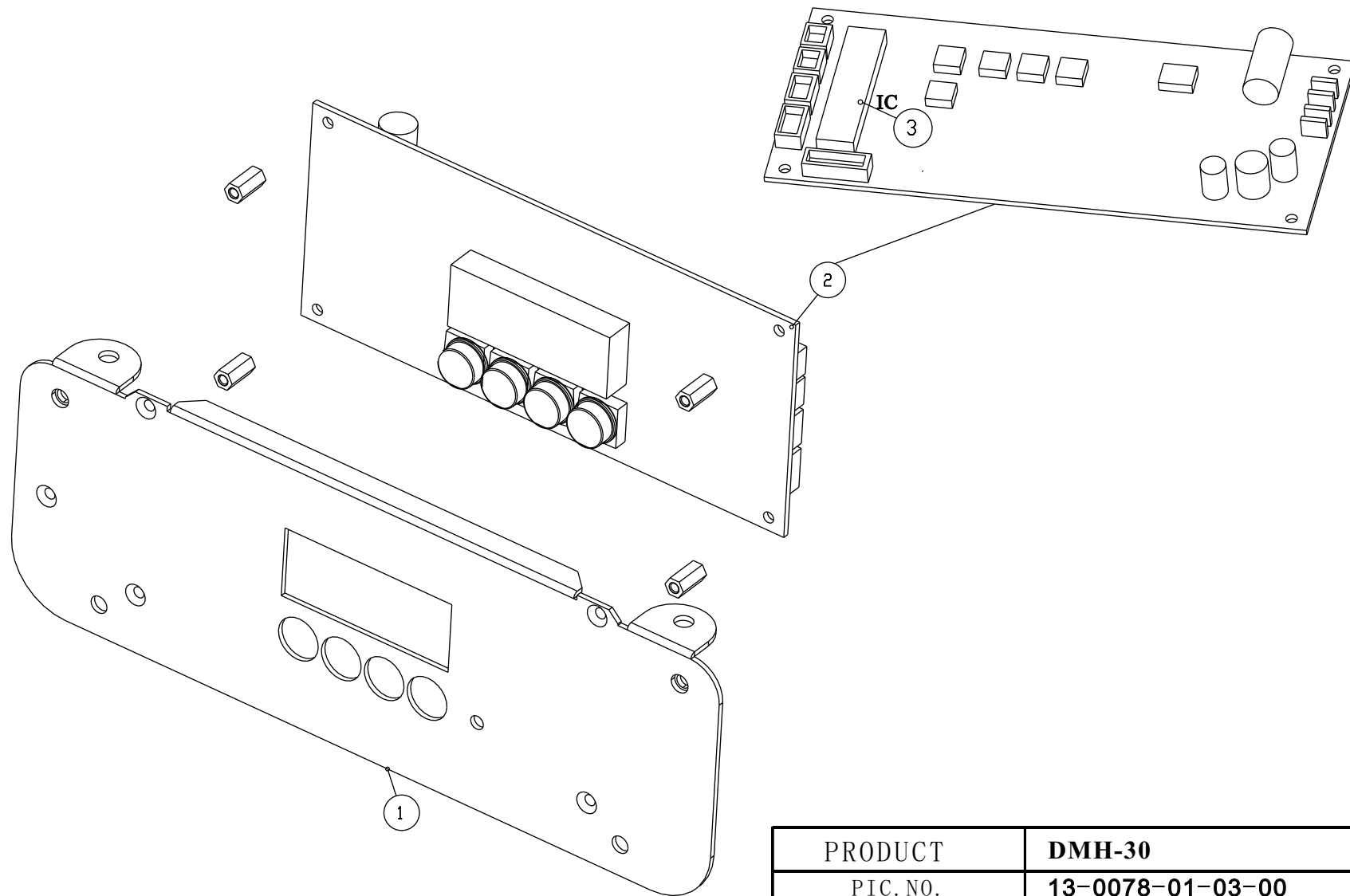
PRODUCT		DMH-30			
PIC. NO.		13-0078-01-00-00			
EDIT		FILE NO.	HY-EXP-786A	PAGE NO.	2/19
CHECK		VERSION	NR	DATE	2011.04.20
APPROVE		ECN NO.		DATE	



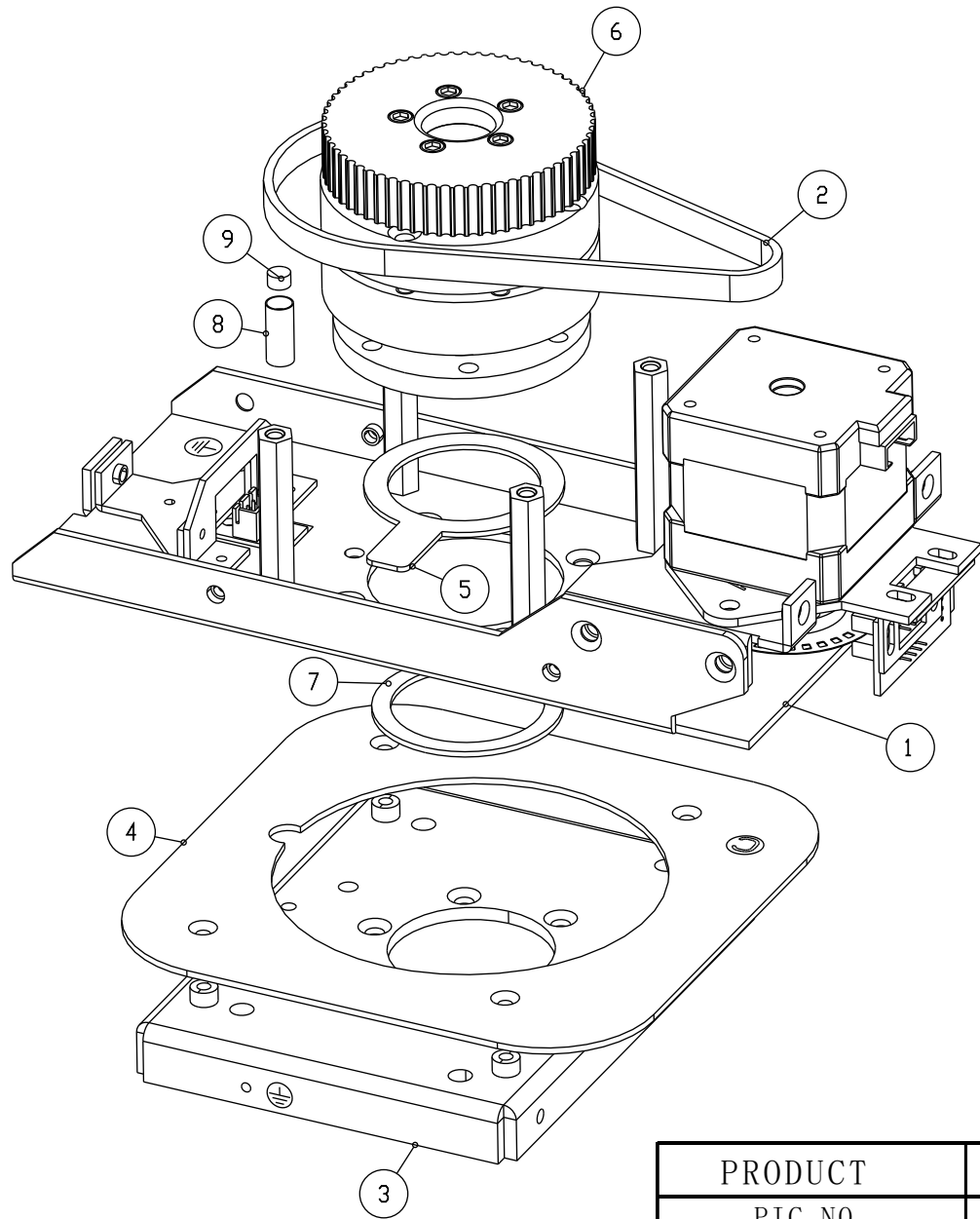
PRODUCT		DMH-30			
PIC. NO.		00-0183-01-01-00			
EDIT		FILE NO.	HY-EXP-786A	PAGE NO.	3/19
CHECK		VERSION	NR	DATE	2011.04.20
APPROVE		ECN NO.		DATE	



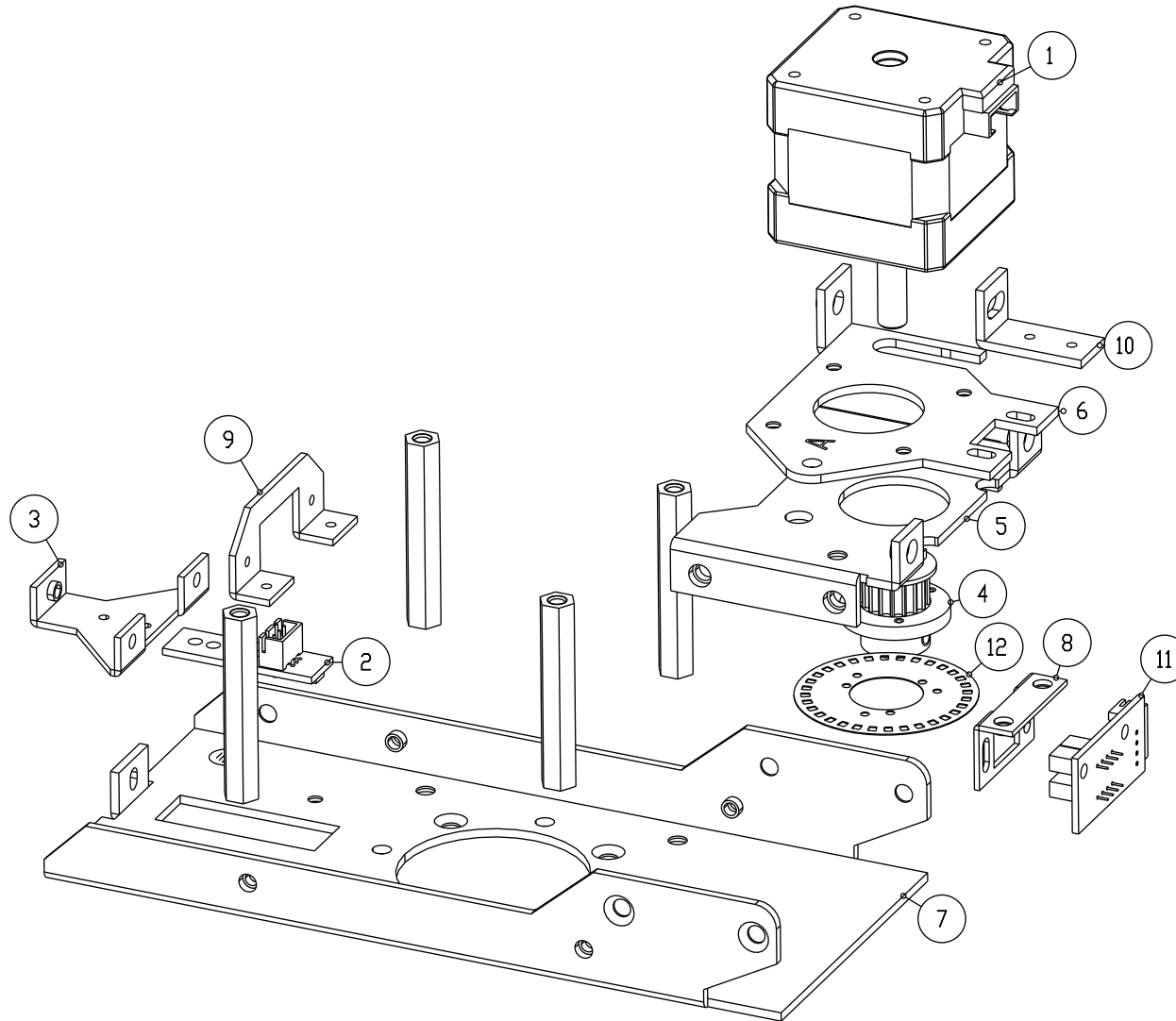
PRODUCT		DMH-30			
PIC. NO.		00-0183-01-02-00			
EDIT		FILE NO.	HY-EXP-786A	PAGE NO.	4/19
CHECK		VERSION	NR	DATE	2011.04.20
APPROVE		ECN NO.		DATE	



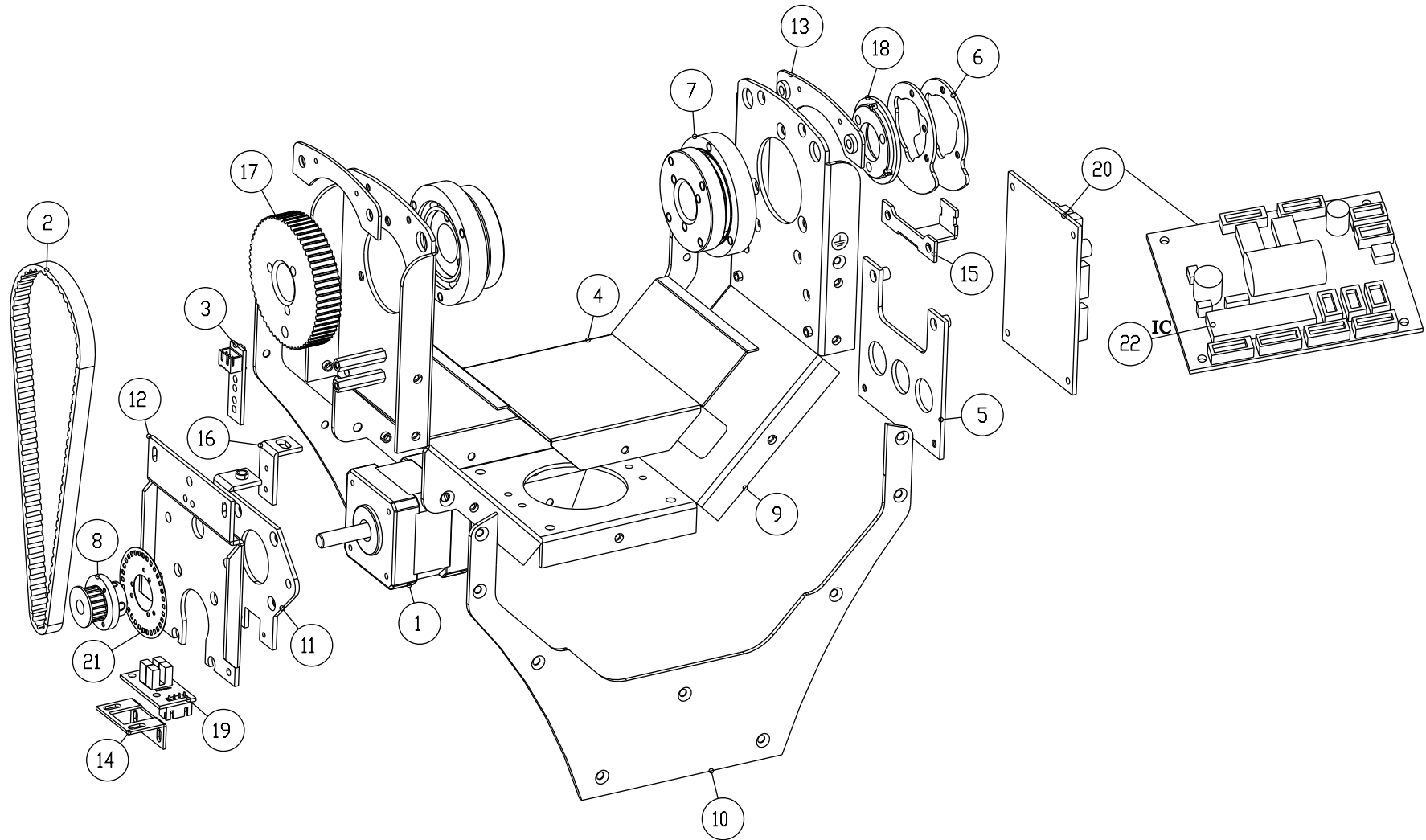
PRODUCT		DMH-30			
PIC. NO.		13-0078-01-03-00			
EDIT		FILE NO.	HY-EXP-786A	PAGE NO.	5/19
CHECK		VERSION	NR	DATE	2011.04.20
APPROVE		ECN NO.		DATE	



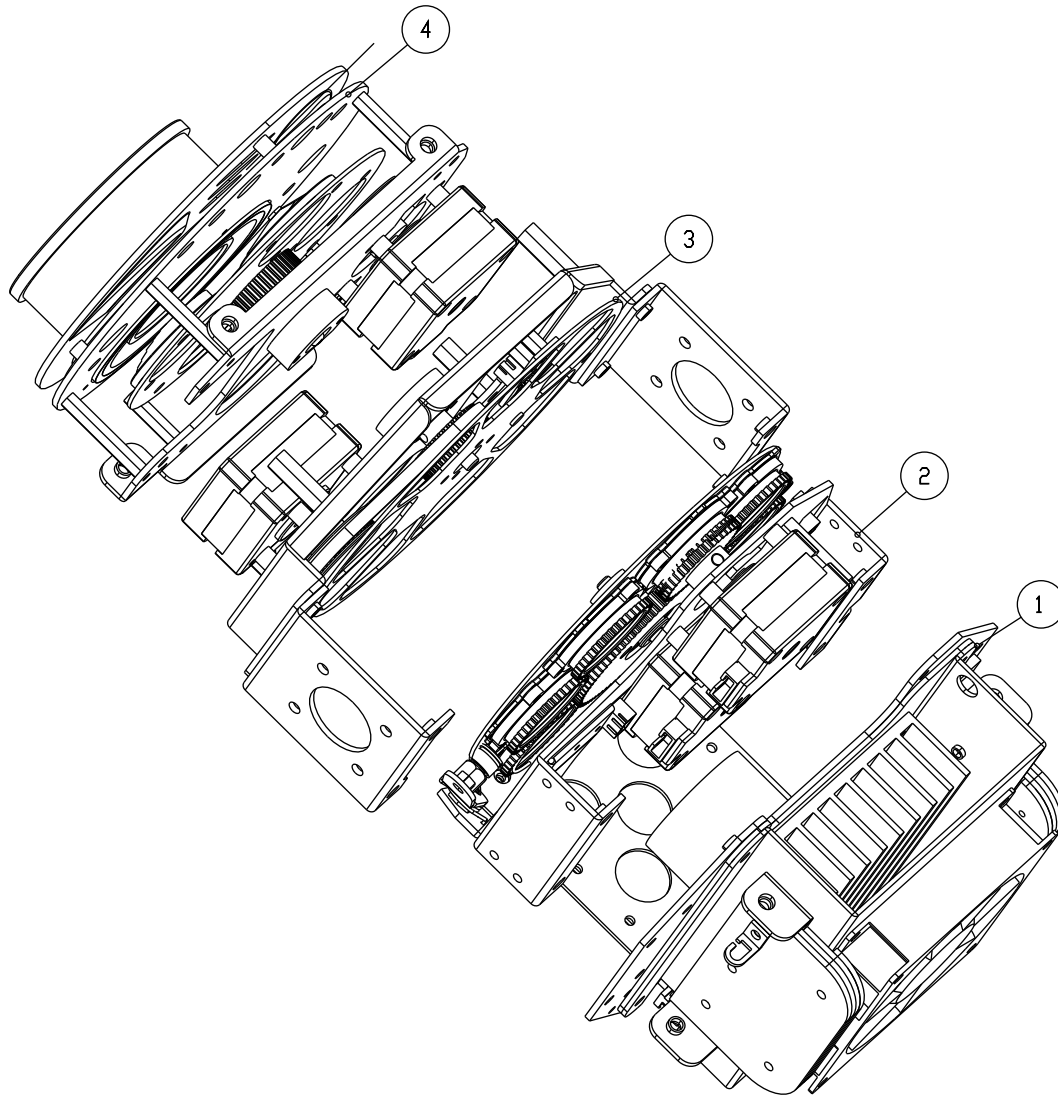
PRODUCT		DMH-30			
PIC. NO.		00-0183-02-00-00			
EDIT		FILE NO.	HY-EXP-786A	PAGE NO.	6/19
CHECK		VERSION	NR	DATE	2011.04.20
APPROVE		ECN NO.		DATE	



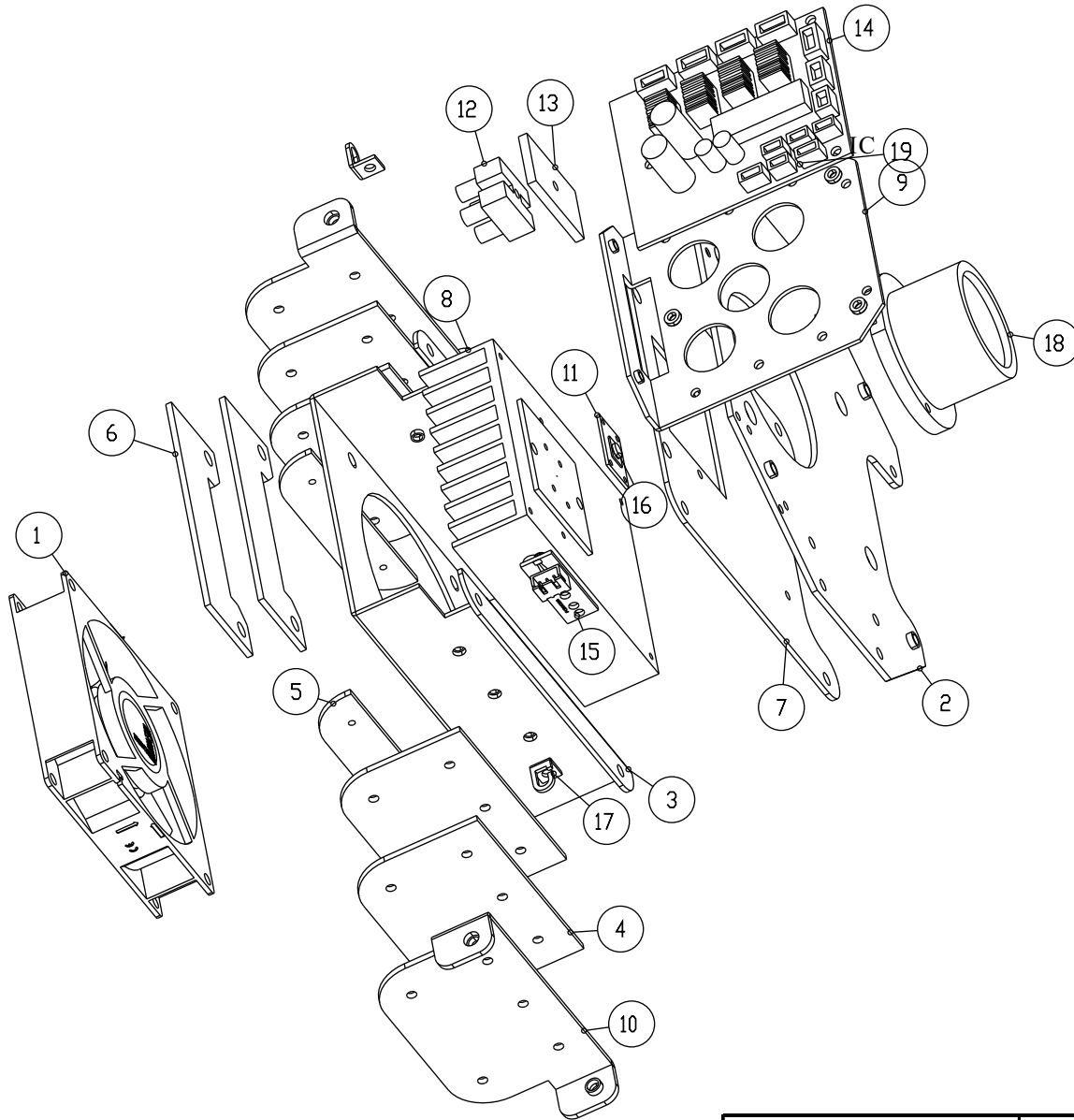
PRODUCT		DMH-30			
PIC. NO.		00-0183-02-01-00			
EDIT		FILE NO.	HY-EXP-786A	PAGE NO.	7/19
CHECK		VERSION	NR	DATE	2011.04.20
APPROVE		ECN NO.		DATE	



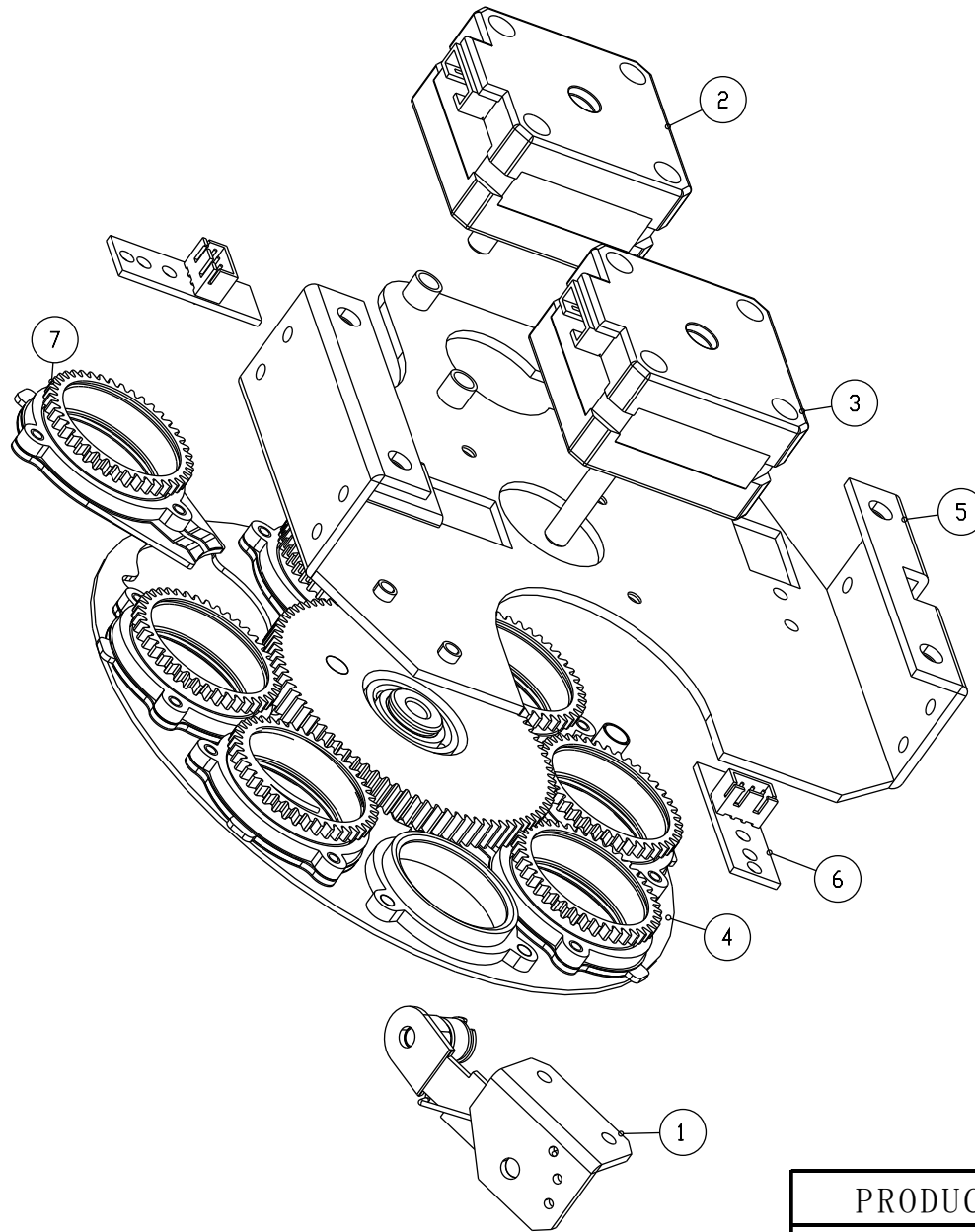
PRODUCT		DMH-30			
PIC. NO.		00-0183-03-00-00			
EDIT		FILE NO.	HY-EXP-786A	PAGE NO.	8/19
CHECK		VERSION	NR	DATE	2011.04.20
APPROVE		ECN NO.		DATE	



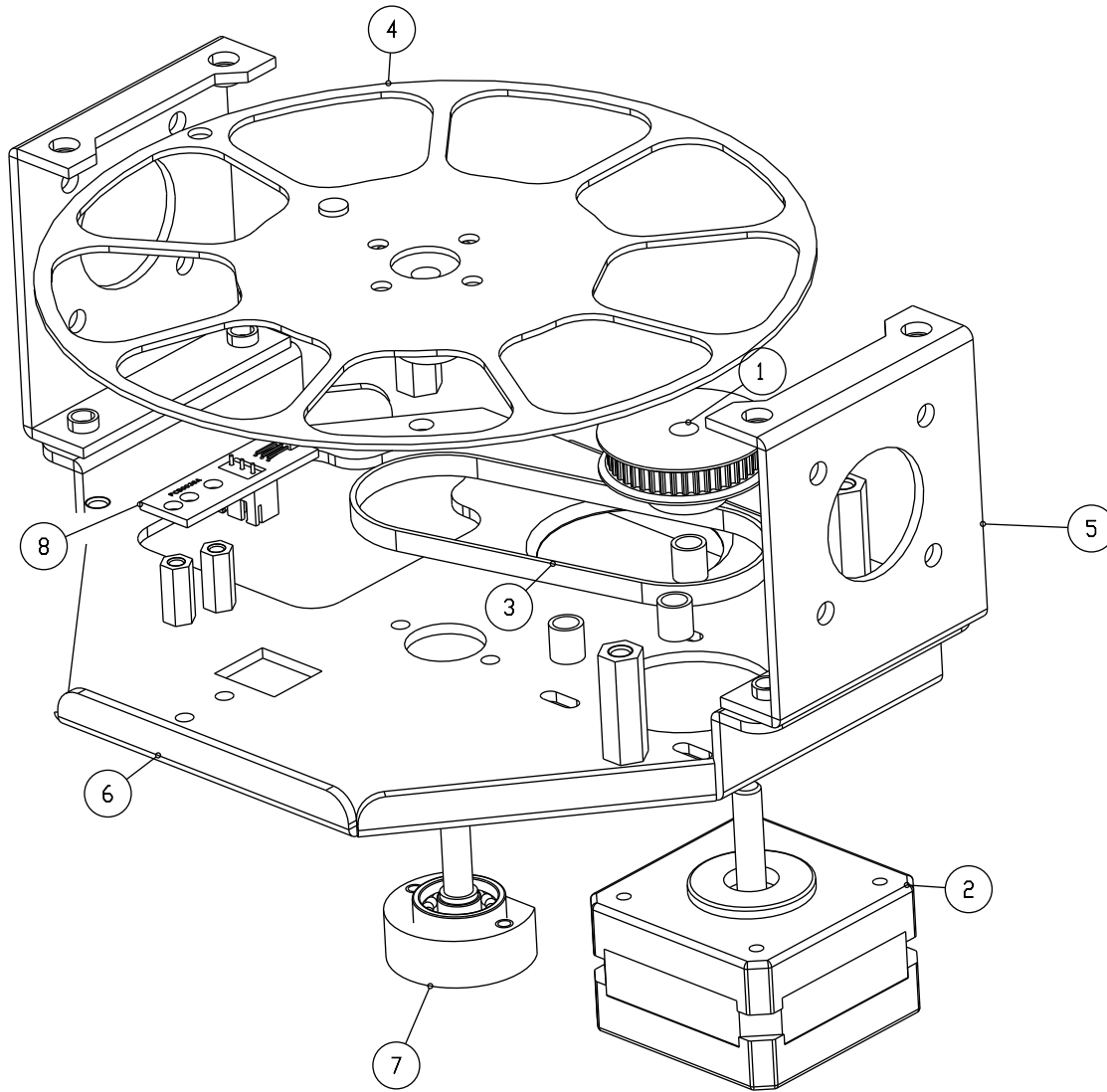
PRODUCT		DMH-30			
PIC. NO.		14-0042-04-00-00			
EDIT		FILE NO.	HY-EXP-786A	PAGE NO.	9/19
CHECK		VERSION	NR	DATE	2011.04.20
APPROVE		ECN NO.		DATE	



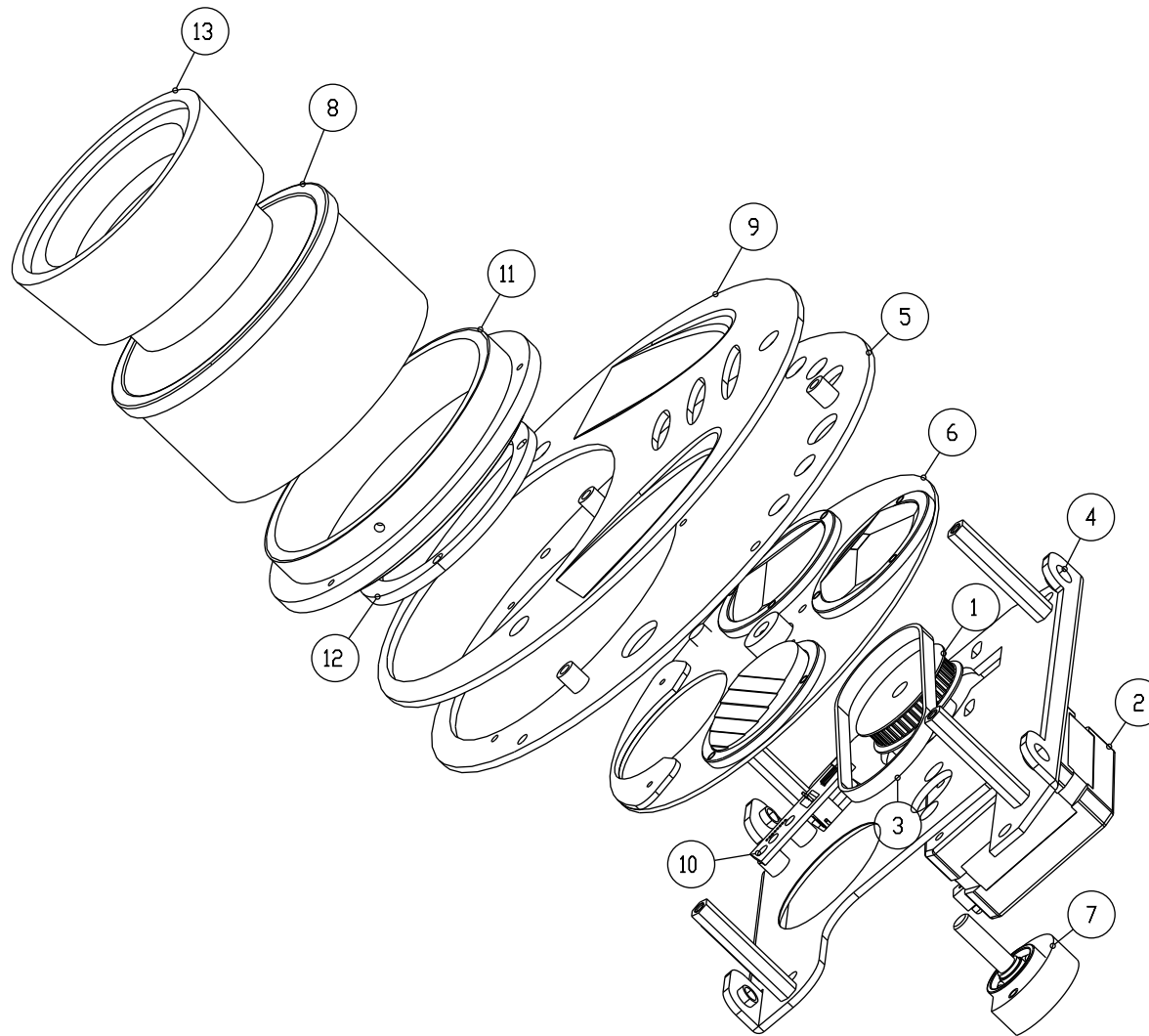
PRODUCT		DMH-30			
PIC. NO.		00-0183-04-01-00			
EDIT		FILE NO.	HY-EXP-786A	PAGE NO.	10/19
CHECK		VERSION	NR	DATE	2011.04.20
APPROVE		ECN NO.		DATE	



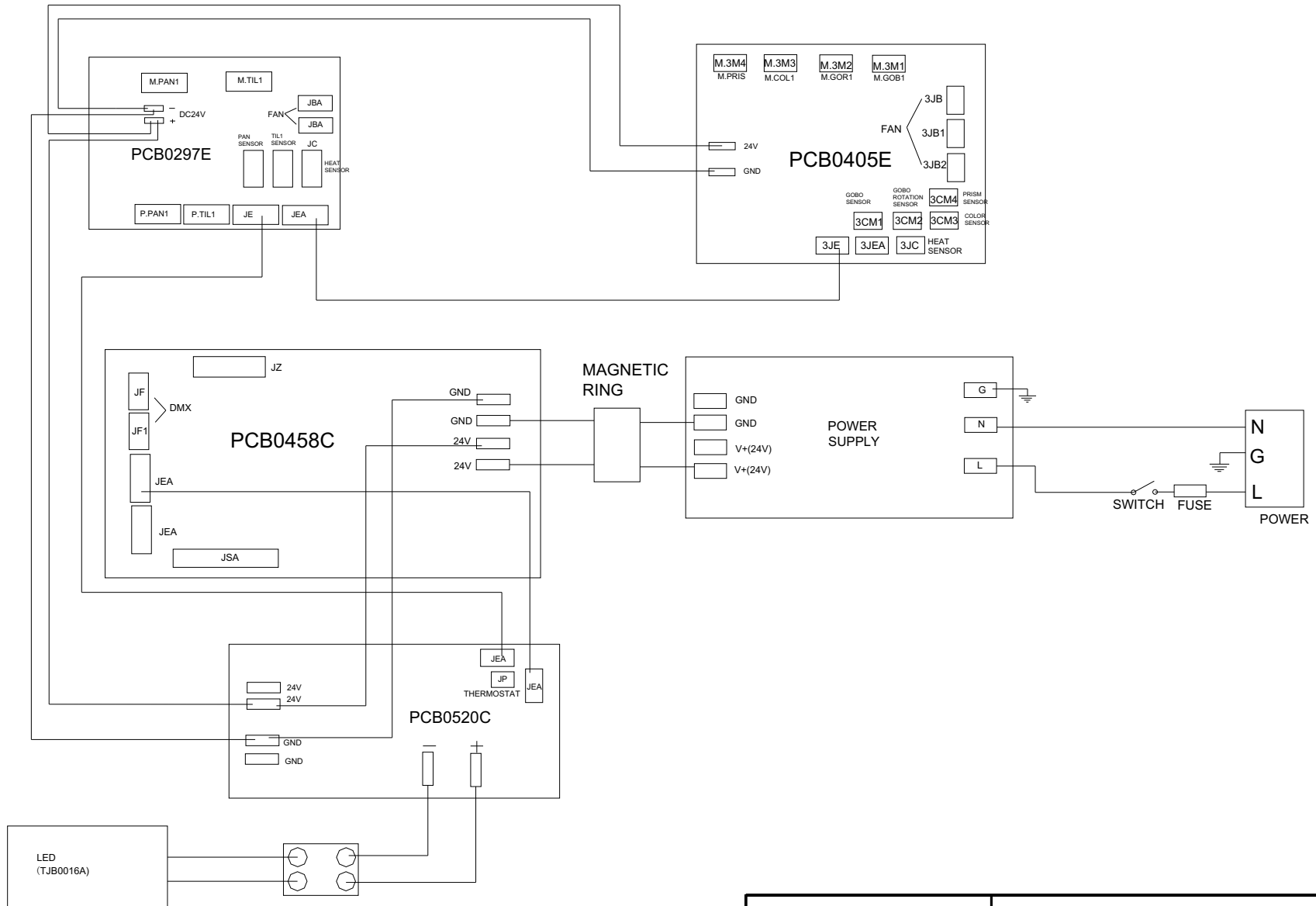
PRODUCT		DMH-30			
PIC. NO.		00-0183-04-02-00			
EDIT		FILE NO.	HY-EXP-786A	PAGE NO.	11/19
CHECK		VERSION	NR	DATE	2011.04.20
APPROVE		ECN NO.		DATE	



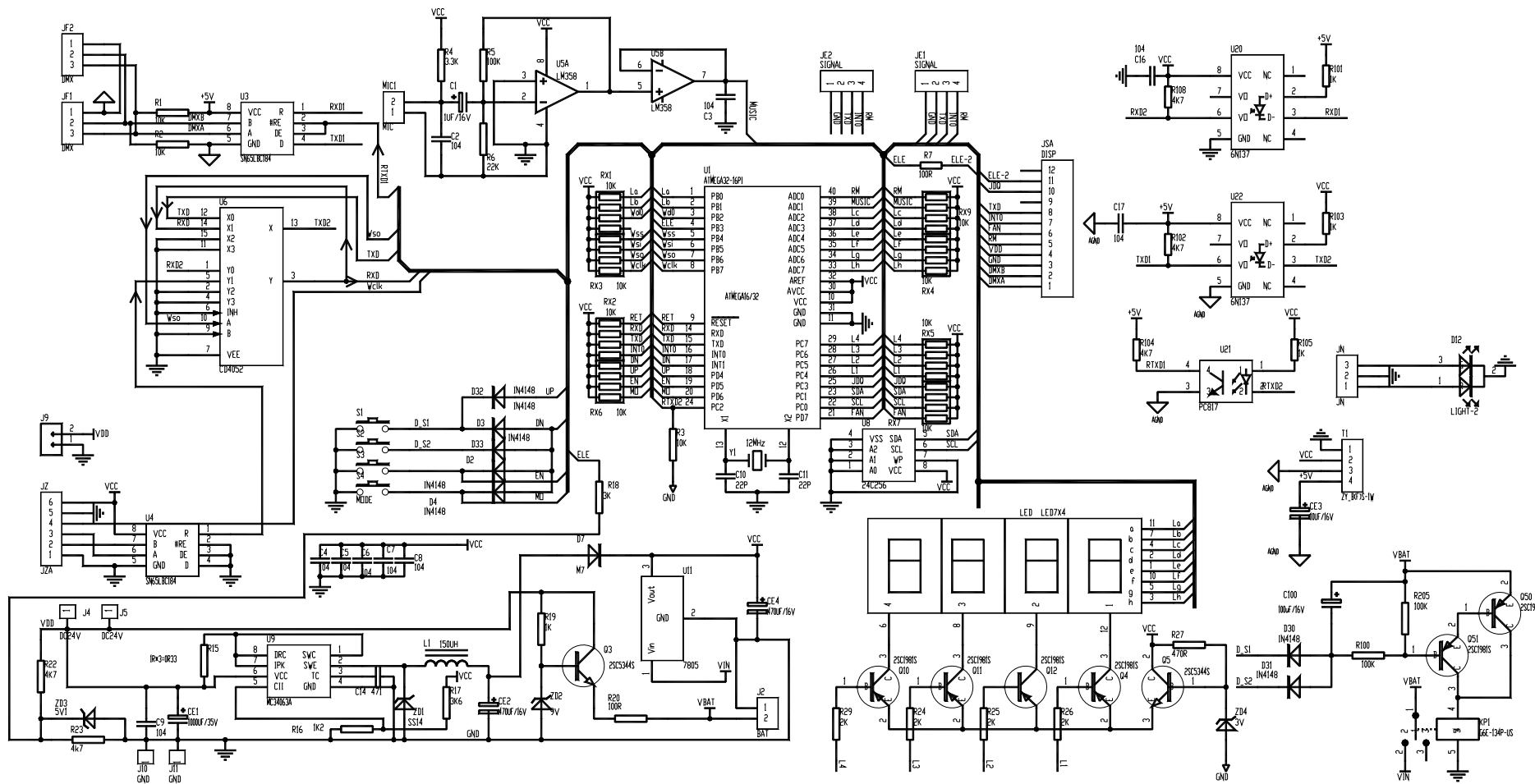
PRODUCT		DMH-30			
PIC. NO.		14-0042-04-03-00			
EDIT		FILE NO.	HY-EXP-786A	PAGE NO.	12/19
CHECK		VERSION	NR	DATE	2011.04.20
APPROVE		ECN NO.		DATE	



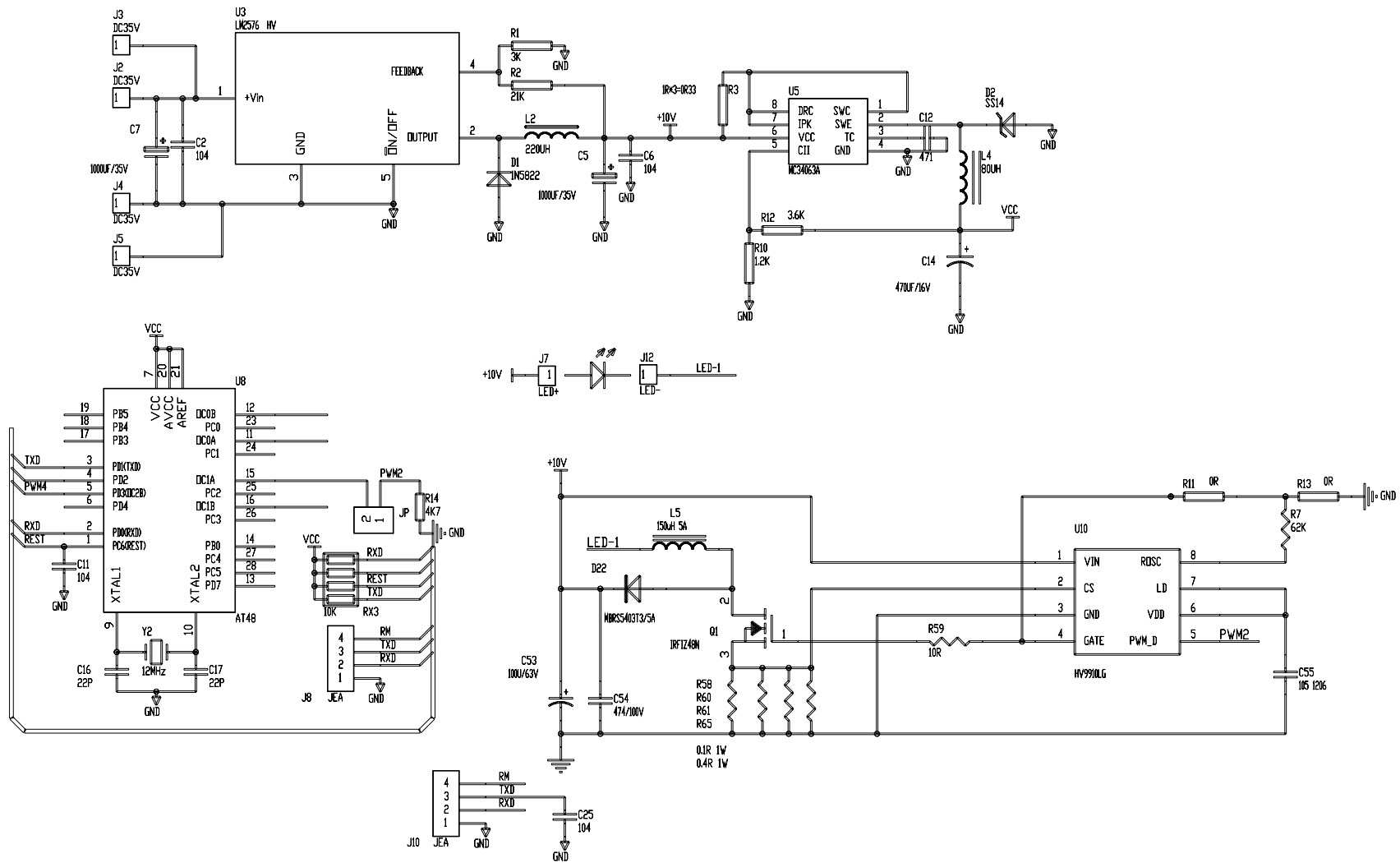
PRODUCT		DMH-30			
PIC. NO.		00-0183-04-04-00			
EDIT		FILE NO.	HY-EXP-786A	PAGE NO.	13/19
CHECK		VERSION	NR	DATE	2011.04.20
APPROVE		ECN NO.		DATE	



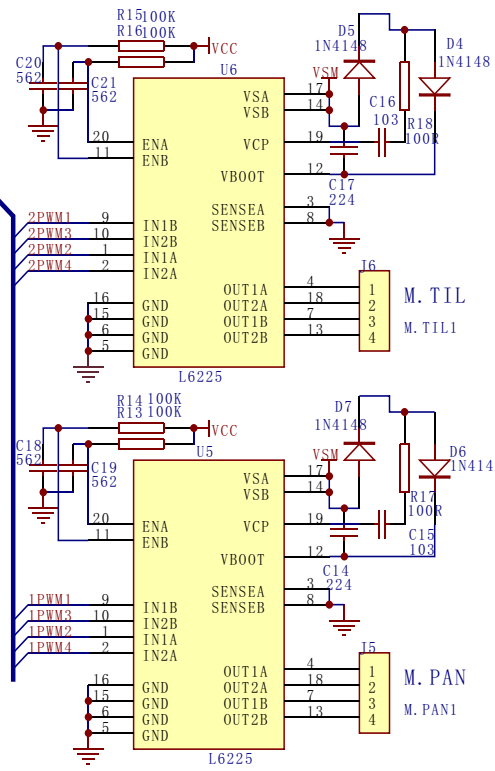
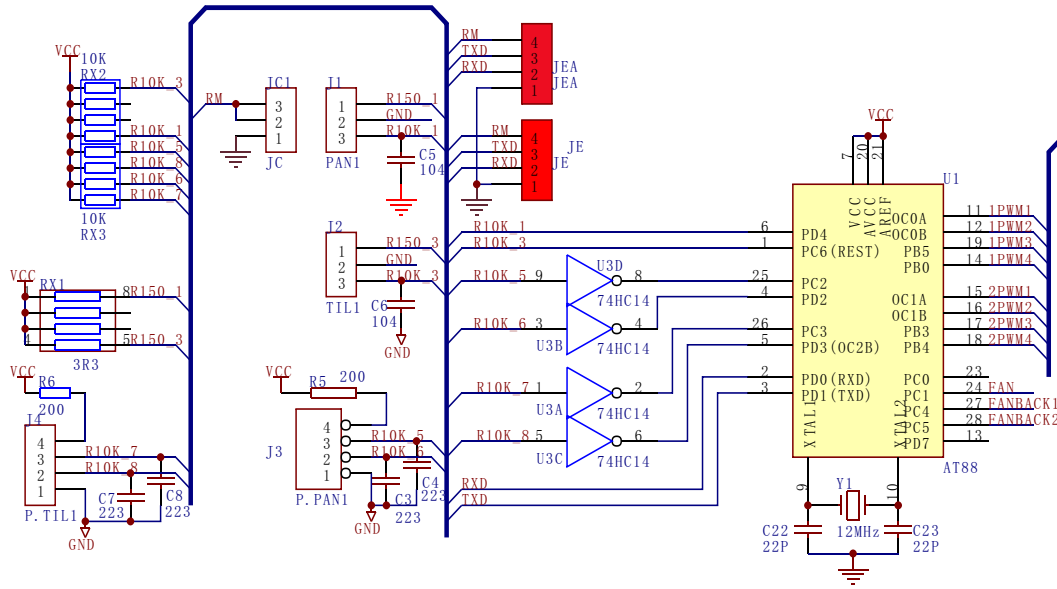
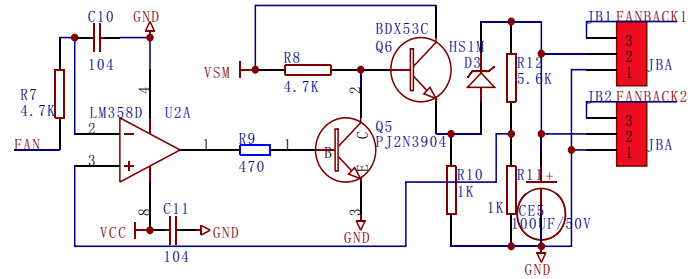
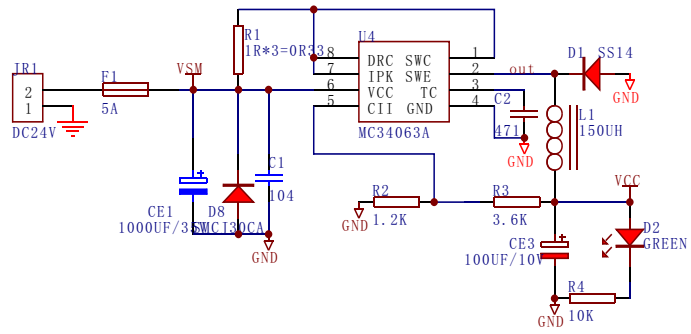
PRODUCT		DMH-30			
PIC. NO.		DMH-30 ELECTRIC			
EDIT		FILE NO.	HY-WIJL-A099	PAGE NO.	14/19
CHECK		VERSION	NR	DATE	2011.04.20
APPROVE		ECN NO.		DATE	



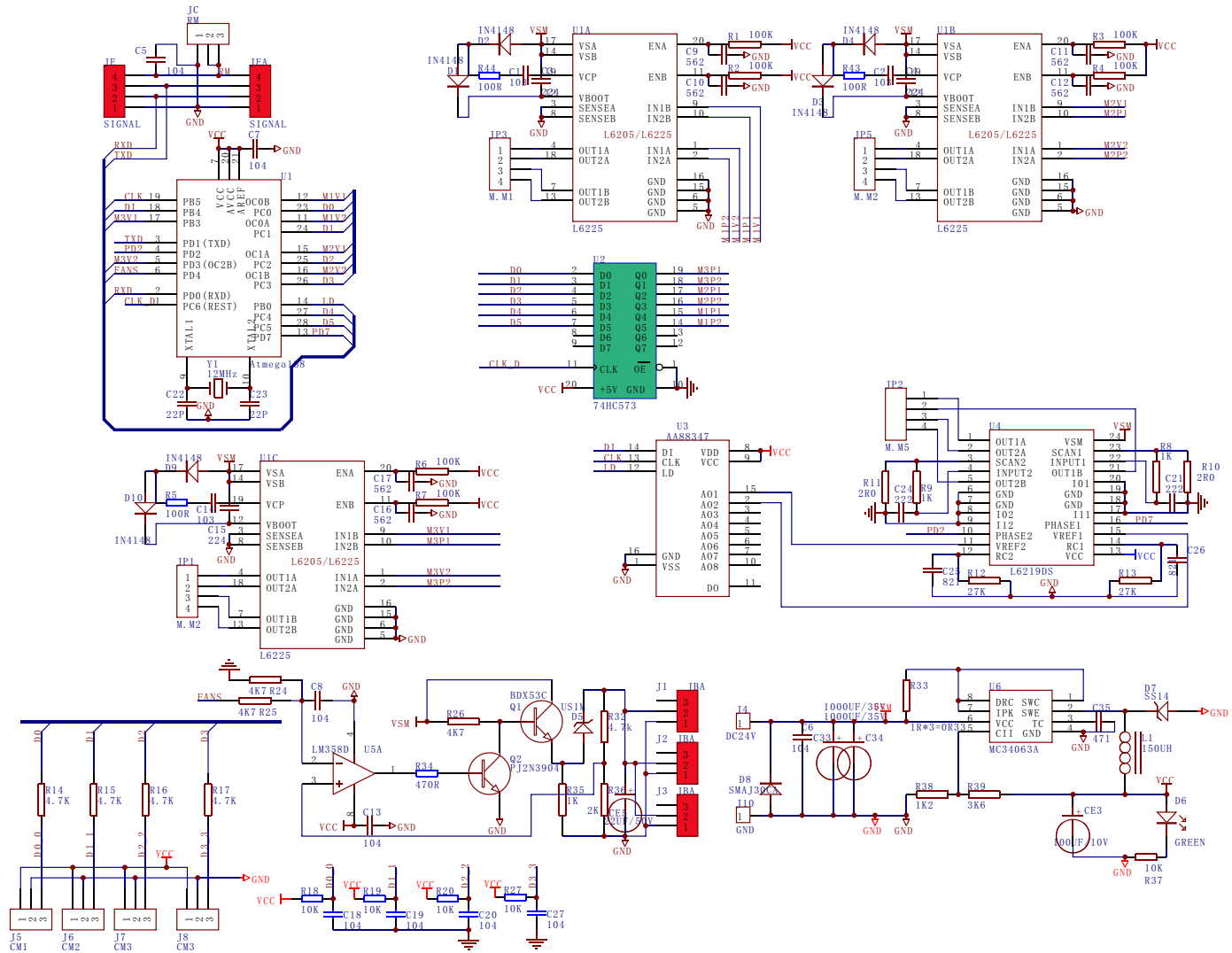
PRODUCT		DMH-30			
PIC. NO.		PCB0458C SCHEME			
EDIT		FILE NO.	HY-WIEC-0762	PAGE NO.	15/19
CHECK		VERSION	NR	DATE	2011.04.20
APPROVE		ECN NO.		DATE	



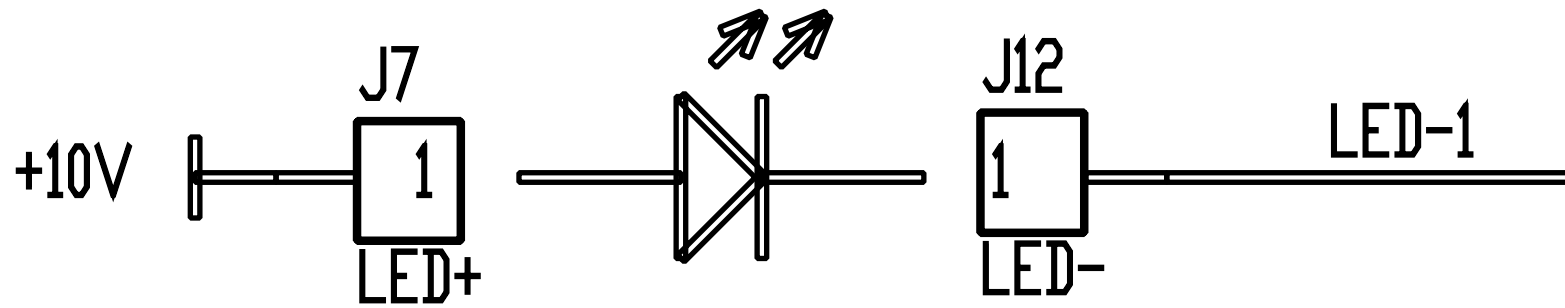
PRODUCT		DMH-30			
PIC. NO.		PCB0520C SCHEME			
EDIT		FILE NO.	HY-WIEC-0670	PAGE NO.	16/19
CHECK		VERSION	NR	DATE	2011.04.20
APPROVE		ECN NO.		DATE	



PRODUCT		DMH-30			
PIC. NO.		PCB0297E SCHEME			
EDIT		FILE NO.	HY-WIEC-0571	PAGE NO.	17/19
CHECK		VERSION	NR	DATE	2011.04.20
APPROVE		ECN NO.		DATE	



PRODUCT		DMH-30			
PIC. NO.		PCB0405E SCHEME			
EDIT		FILE NO.	HY-WIEC-0613	PAGE NO.	18/19
CHECK		VERSION	NR	DATE	2011.04.20
APPROVE		ECN NO.		DATE	



PRODUCT		DMH-30			
PIC. NO.		TJB0016A SCHEME			
EDIT		FILE NO.	HY-WIEC-0693	PAGE NO.	19/19
CHECK		VERSION	NR	DATE	2011.04.20
APPROVE		ECN NO.		DATE	