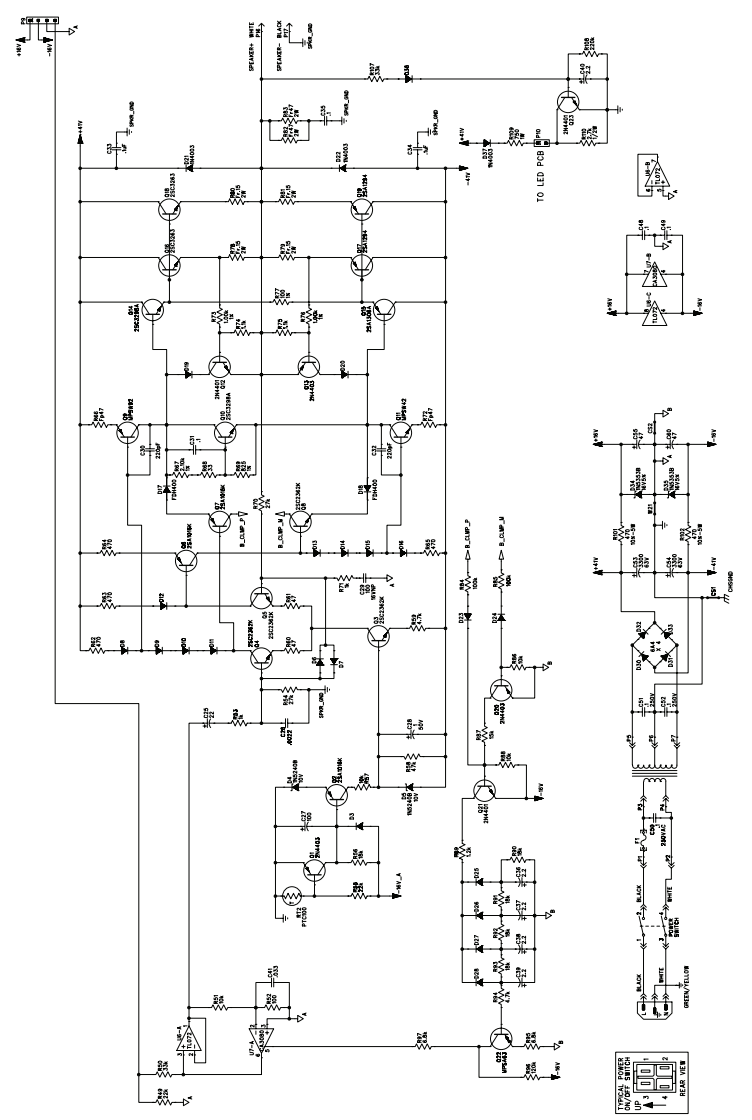


REV. DESCRIPTION DATE APPROVED			
A	PROJ59	26-NOV-02	GBL

REVISIONS		
1		
2		
3		
4		
5		
6		
7		
8		



POWER AMP PCB ASSEMBLY

THE PROPERTY OF MUSICAL INSTRUMENTS
 CORPORATION, 12000 WILSON BLVD., BOSTON, MA 02120
 ALL RIGHTS RESERVED. NO PART OF THIS DOCUMENT IS TO BE
 REPRODUCED OR TRANSMITTED IN ANY FORM OR BY ANY MEANS
 WITHOUT THE WRITTEN PERMISSION OF MUSICAL INSTRUMENTS
 CORPORATION.

MUSICAL INSTRUMENTS
 CORPORATION
 Corona, CA, U.S.A.

MIL-SERVICE NUMBER: 000
 PART NUMBER: 000
 DATE: 00000000
 RELEASE DATE: 26-NOV-02 SHEET: 2 OF 4

1. ALL DIMENSIONS UNLESS OTHERWISE NOTED.
 2. ALL DIMENSIONS ARE TO CENTER UNLESS OTHERWISE NOTED.
 3. ALL DIMENSIONS ARE TO CENTER UNLESS OTHERWISE NOTED.
 4. ALL DIMENSIONS ARE TO CENTER UNLESS OTHERWISE NOTED.
 5. ALL DIMENSIONS ARE TO CENTER UNLESS OTHERWISE NOTED.
 6. ALL DIMENSIONS ARE TO CENTER UNLESS OTHERWISE NOTED.
 7. ALL DIMENSIONS ARE TO CENTER UNLESS OTHERWISE NOTED.
 8. ALL DIMENSIONS ARE TO CENTER UNLESS OTHERWISE NOTED.
 9. ALL DIMENSIONS ARE TO CENTER UNLESS OTHERWISE NOTED.
 10. ALL DIMENSIONS ARE TO CENTER UNLESS OTHERWISE NOTED.

APPROVED BY: _____
 DATE: _____
 DRAWN BY: _____
 DATE: _____
 CHECKED BY: _____
 DATE: _____

DATE: 00000000
 RELEASE DATE: 26-NOV-02 SHEET: 2 OF 4