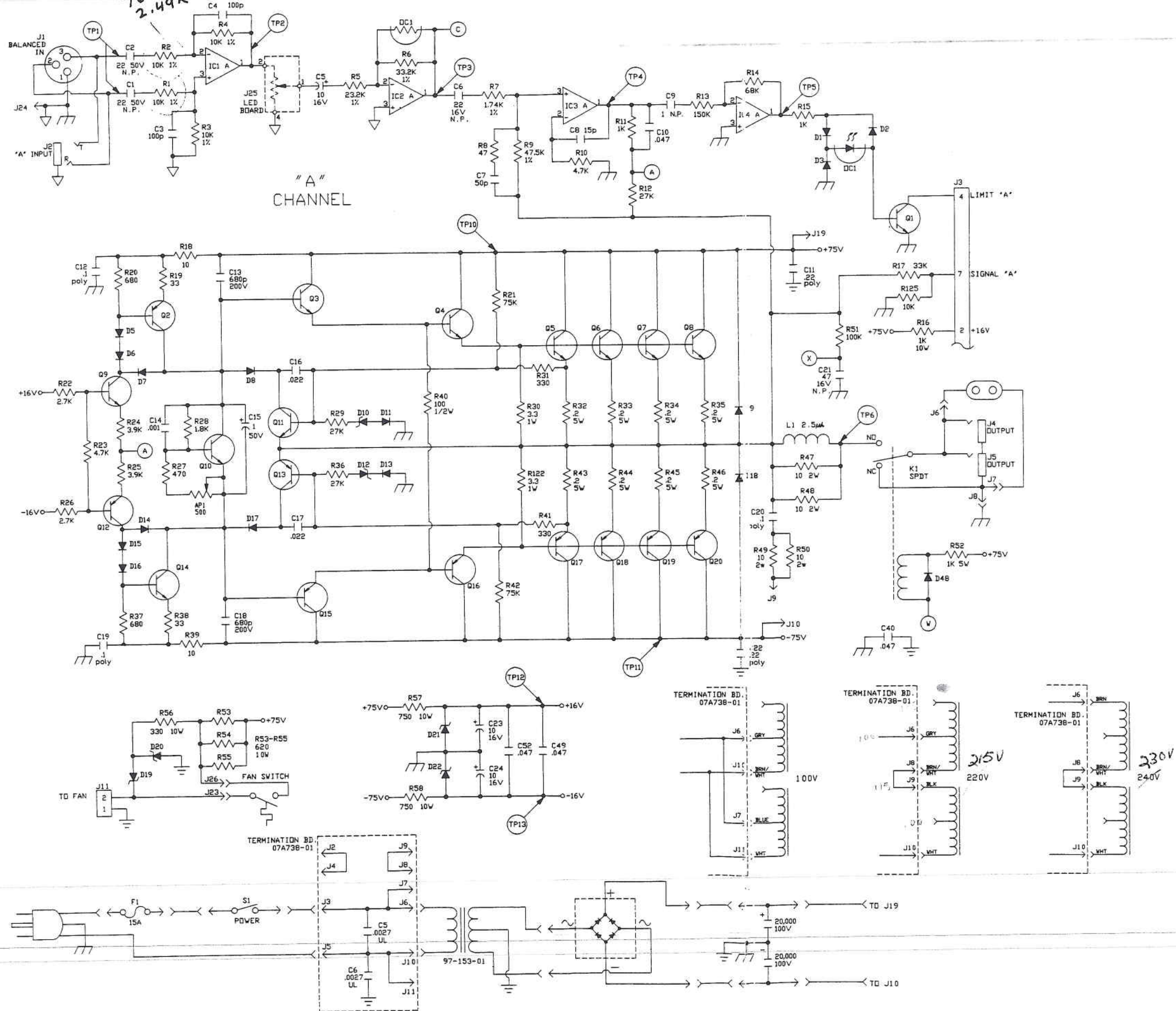


76-242-02 use for 0.25V sensitivity  
2.49K 1%




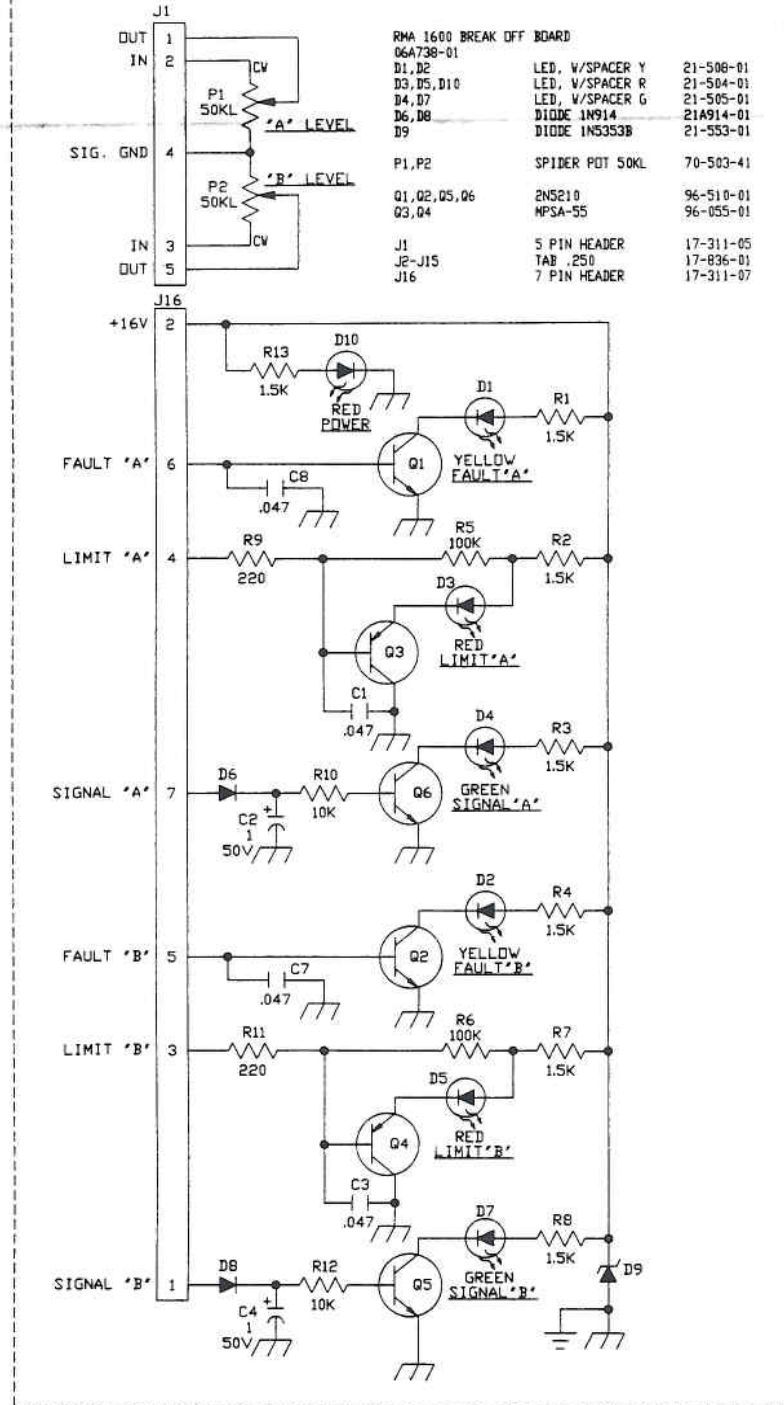
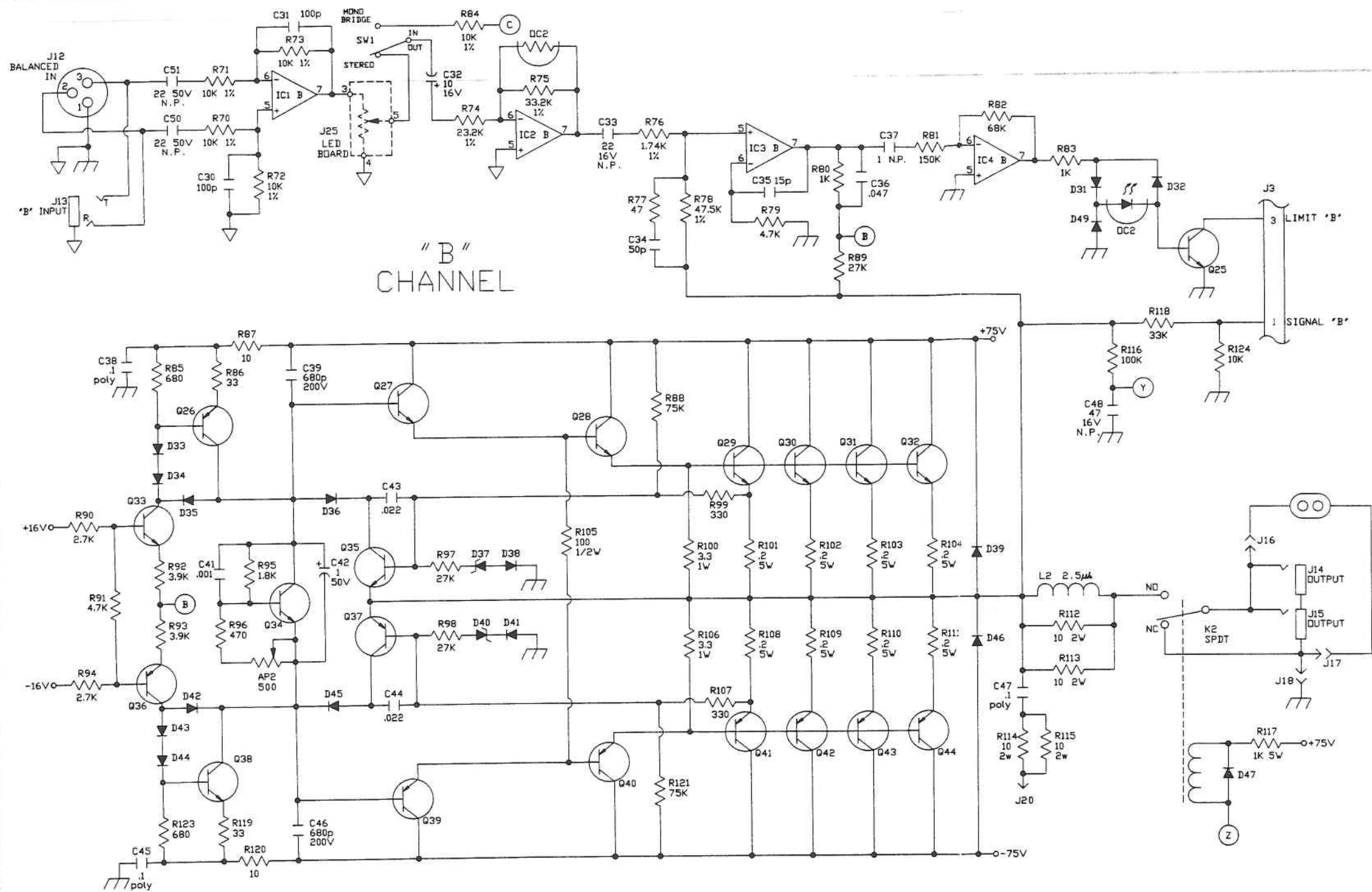
- NOTES**
- 1) THIS UNIT CONTAINS HAZARDOUS VOLTAGE. DISCONNECT POWER AND BE SURE POWER SUPPLY IS DISCHARGED BEFORE TOUCHING INTERNAL PARTS.
  - 2) UNLESS NOTED, RESISTOR VALUES IN OHMS, 1/4W-5% TOL. CAPACITOR VALUES IN MICROFARADS, 50V-10% TOL.
  - 3) VOLTAGES ARE MEASURED WITH 1 MEGOHM OSCILLOSCOPE AND 10 MEGOHM DIGITAL VOLTMETER.
  - 4) CIRCUIT GROUND  $\nabla$  INPUT GROUND  $\nabla$  CHASSIS GROUND  $\nabla$

**CAUTION:**  
THIS SCHEMATIC IS PROVIDED FOR USE BY QUALIFIED PERSONNEL. TO AVOID RISK OF ELECTRIC SHOCK, REFER SERVICING TO QUALIFIED SERVICE PERSONNEL. DO NOT PERFORM ANY SERVICING BEYOND THAT EXPLAINED IN THE OPERATING INSTRUCTIONS.

**RMA 1600 POWER AMP  
07A424-01**

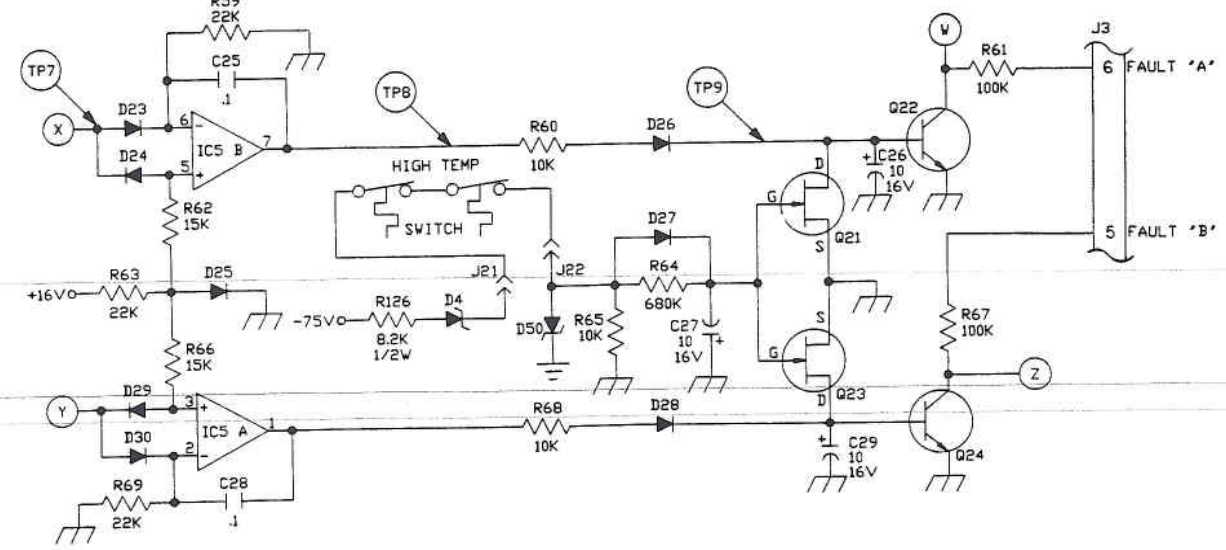
D1-D3, D5-D6	1N914	21A914-01
D8, D15-D17	1N914	21A914-01
D23-D34, D36	1N914	21A914-01
D43-D45	1N914	21A914-01
D7, D11, D13-D14	1N3070	21A370-01
D25, D38, D41, D42	1N3070	21A370-01
D9, D18, D39, D46	1N5393	21A593-01
D10, D12, D37	1N4740A	21A440-01
D40, D50	1N4740A	21A440-01
D19, D21, D22	1N5353A	21-553-01
D20	1N5347A	21-547-01
D47, D48	1N4002	21A402-01
D49	1N914	21A914-01
D4	1N4754A	21-454-01
J1, J12	R/A XLR	39-314-01
J2, J13	CLIFF T/R/S	39-117-01
J25	5 PIN HEADER	17-309-05
J4, J5, J14, J15	CLIFF T/S	39-116-01
J6-J10, J16-J24	TAB .250	17-836-01
J11	2 PIN HEADER	17-309-02
J3	7 PIN HEADER	17-309-07
J26	TAB .250	17-836-01
K1, K2	T-90 RELAY	82-090-01
L1, L2	2.5 $\mu$ H	94-142-01
DC1, DC2	VTL5C7	66-100-01
AP1, AP2	500 OHM TRIM	71-503-02
IC1, IC2	TL072	37-072-01
IC3, IC4	RC5532	37-532-01
IC5	RC4558	37-458-01
SW1	DPDT	88-302-01
Q1, Q25	MPSA06	96-006-01
Q2, Q15, Q26, Q39	2N6421	96-621-01
Q3, Q14, Q27, Q38	2N3584	96-384-01
Q4-Q8, Q28-Q32	MJ15022	96-122-01
Q40-Q44	MJ15023	96-123-01
Q9, Q11, Q22, Q24	MPS-U07	96-007-01
Q33, Q35	MPS-U07	96-007-01
Q10, Q34	2N3402	96-342-01
Q12, Q13, Q36, Q37	MPS-U57	96-057-01
Q16-Q20	MJ15023	96-123-01
Q21, Q23	J112	96-112-01

ORIG.	MGA 10\25\89		
VERS.	DRAWN BY	CHECKED BY	APPROVED BY
PAGE #	1 OF 2	DRAWING #	16-156-01
DESCRIPTION: RMA 1600 SCHEMATIC			
 <b>SLM ELECTRONICS</b> 11880 BORMAN DR. ST. LOUIS, MO 63146			



RMA 1600 BREAK OFF BOARD  
064738-01

D1, D2	LED, V/SPACER Y	21-508-01
D3, D5, D10	LED, V/SPACER R	21-504-01
D4, D7	LED, V/SPACER G	21-505-01
D6, D8	DIODE 1N914	21A914-01
D9	DIODE 1N5353B	21-553-01
P1, P2	SPIDER POT 50KL	70-503-41
Q1, Q2, Q5, Q6	2N5210	96-510-01
Q3, Q4	NPSA-55	96-055-01
J1	5 PIN HEADER	17-311-05
J2-J15	TAB .250	17-836-01
J16	7 PIN HEADER	17-311-07



T.P.	WAVE	CONDITION 1: 1 channel driven (4 ohms) 2Vp-p 1kHz input signal		CONDITION 2: 1 channel driven (4 ohms) 6Vp-p 1kHz input signal	
		WAVE	VOLTAGES	WAVE	VOLTAGES
1	[Waveform]	2.5Vp-p	0Vdc	6Vp-p	0Vdc
2	[Waveform]	2.5Vp-p	0Vdc	6Vp-p	0Vdc
3	[Waveform]	3.75Vp-p	0Vdc	4.8Vdc	0Vdc
4	[Waveform]	3.75Vp-p	+1.5Vdc	14Vp-p	+1.5Vdc
5	[Waveform]	1.2Vp-p	0Vdc	7Vp-p	0Vdc
6	[Waveform]	100Vp-p	+/-0.25Vdc	130Vp-p	+/-0.15Vdc
7	[Waveform]		+25Vdc		
8	[Waveform]		+15Vdc (-15Vdc under DC fault condition)		
9	[Waveform]		+7Vdc (-4Vdc under DC fault condition)		
10	[Waveform]		1Vp-p +75Vdc		
11	[Waveform]		1Vp-p -75Vdc		
12	[Waveform]		5mVp-p +16v +/-1.5Vdc		
13	[Waveform]		5mVp-p -16vdc +/-1.5Vdc		

NOTE: Slight variations may occur.

**CAUTION:**  
THIS SCHEMATIC IS PROVIDED FOR USE BY QUALIFIED PERSONNEL. TO AVOID RISK OF ELECTRIC SHOCK, REFER SERVICING TO QUALIFIED SERVICE PERSONNEL. DO NOT PERFORM ANY SERVICING BEYOND THAT EXPLAINED IN THE OPERATING INSTRUCTIONS.

- NOTES**
- THIS UNIT CONTAINS HAZARDOUS VOLTAGE. DISCONNECT POWER AND BE SURE POWER SUPPLY IS DISCHARGED BEFORE TOUCHING INTERNAL PARTS.
  - UNLESS NOTED, RESISTOR VALUES IN OHMS, 1/4W-5% TOL. CAPACITOR VALUES IN MICROFARADS, 50V-10% TOL.
  - VOLTAGES ARE MEASURED WITH 1 MEGOHM OSCILLOSCOPE AND 10-MEGOHM DIGITAL VOLTMETER.
  - CIRCUIT GROUND  $\text{---}$  INPUT GROUND  $\text{---}$  CHASSIS GROUND  $\text{---}$

ORIG.	MGA 10/25/89	CHECKED BY	APPROVED BY
VERS.	DRAWN BY	CHECKED BY	APPROVED BY
PAGE #	2 OF 2	DRAWING #	16-156-01
DESCRIPTION: RMA 1600 SCHEMATIC			

**SLM ELECTRONICS**  
11880 BORMAN DR.  
ST. LOUIS, MO 63146