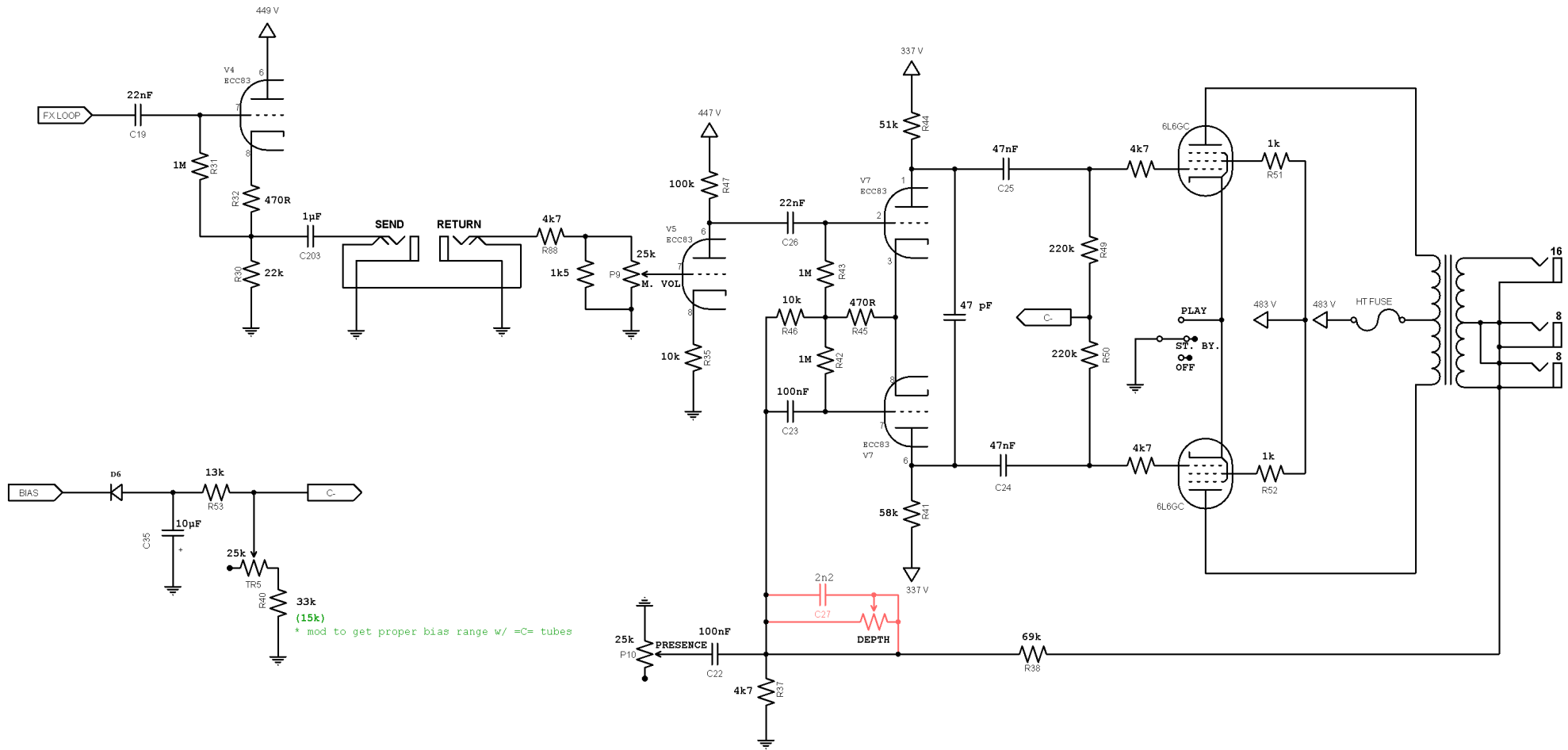


NON MOUNTED COMPONENTS IN PINK

BOGNER SHIVA 6L6 NR	
PREAMP	
PCB Rev 3.0 02/05/09	Page n° 1/2



NON MOUNTED COMPONENTS IN PINK
 * BOOST AMP is TL072 amplifier

BOGNER SHIVA 6L6 NR	
FX LOOP + AMP	
PCB Rev 3.0 02/05/09	Page n° 2/2