

MESA/BOOGIE[®]

20/20 Power Amp

20/20

FRONT PANEL

MISC PARTS		
Control Function	Type	Mesa Part#
Vol A	Pot	593151
	Knob	408111
Vol B	Pot	593151
	Knob	408111
Presence A	Pot	593151
	Knob	408111
Presence B	Pot	593151
	Knob	408111

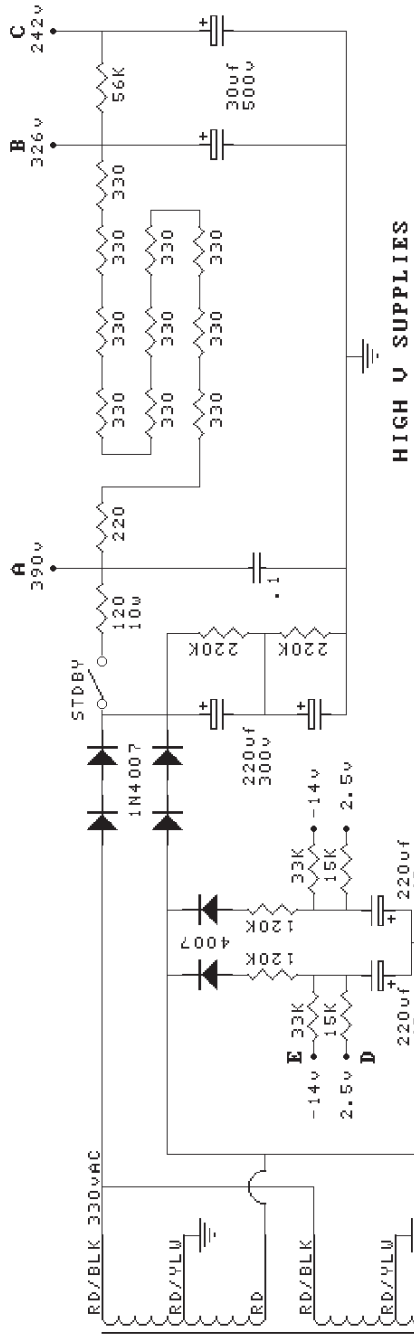
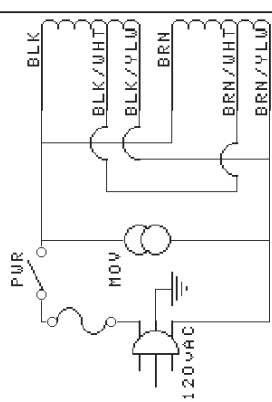
MISC PARTS		
Control Function	Type	Mesa Part#
Power	Switch	601073
Standby	Switch	601073
Fuse Holder		
Domestic	Cap/Holder	790347
	Fuse	790200
Export	Cap/Holder	790346
	Fuse	795101

REAR PANEL

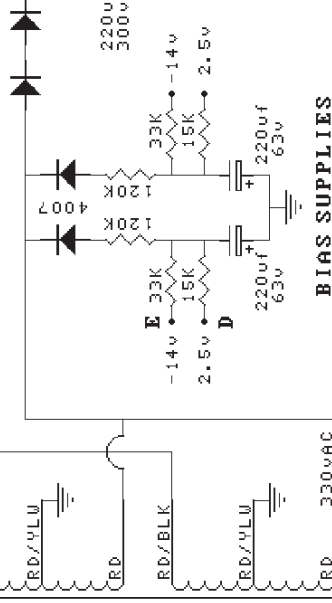
MISC PARTS		
Control Function	Type	Mesa Part#
Jacks		
All (5)	Dual Mono	618357
Ground	Switch	600115

MESA-BOOGIE 20/20 POWER AMP

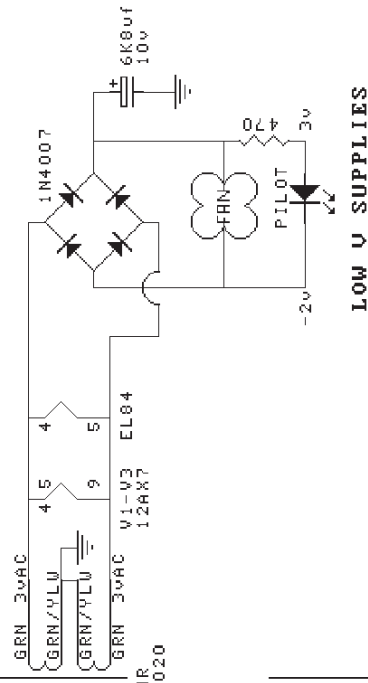
POWER SUPPLIES
FILE 2020SUPP.S01
1/2



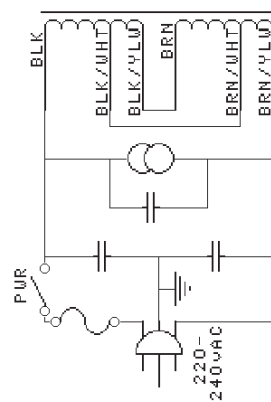
HIGH V SUPPLIES



BIAS SUPPLIES



LOW V SUPPLIES



EXPORT PRIMARY
XFMR #561020

XFMR #561020

MESA-BOOGIE 20/20 POWER AMP

FILE 2020PUR.501
2/72

