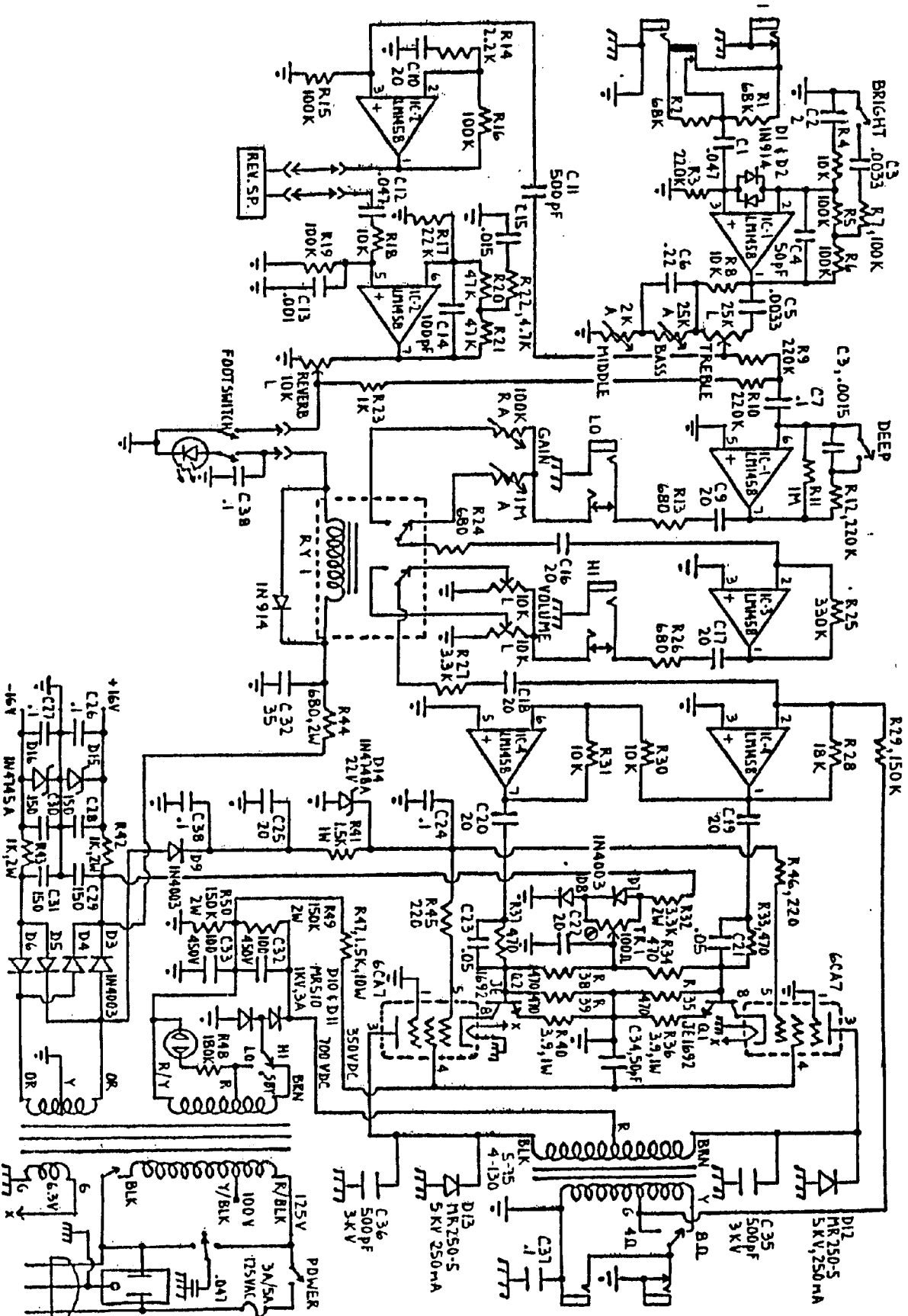




Amplifier Schematics

Chassis Numbers: 2165-RD and 2100-RD

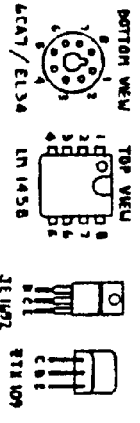
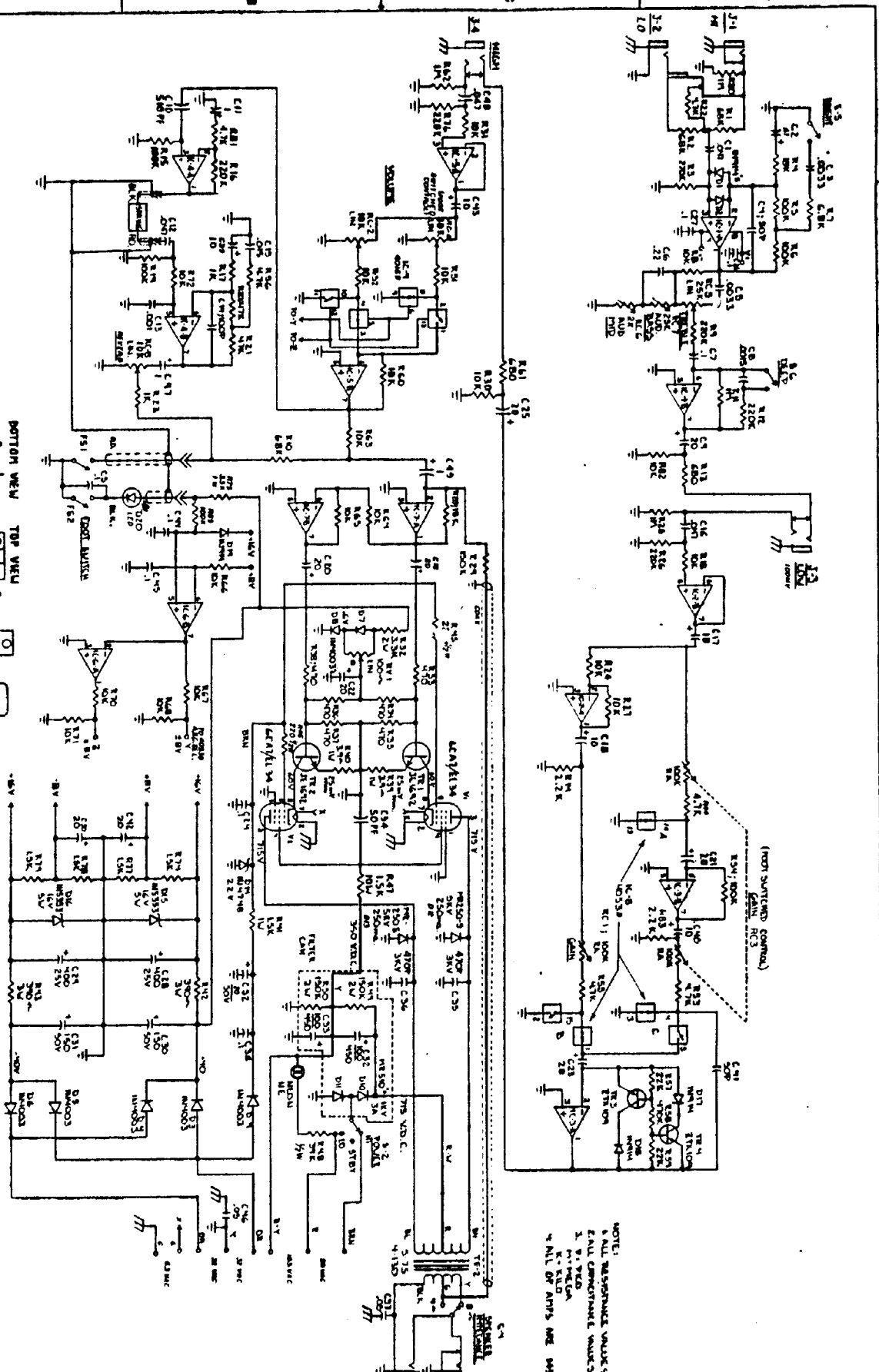


CHASSIS № 2165-RD & 2100-RD
GD-1

MUSIC MAN INC.
ANAHEIM, CA.

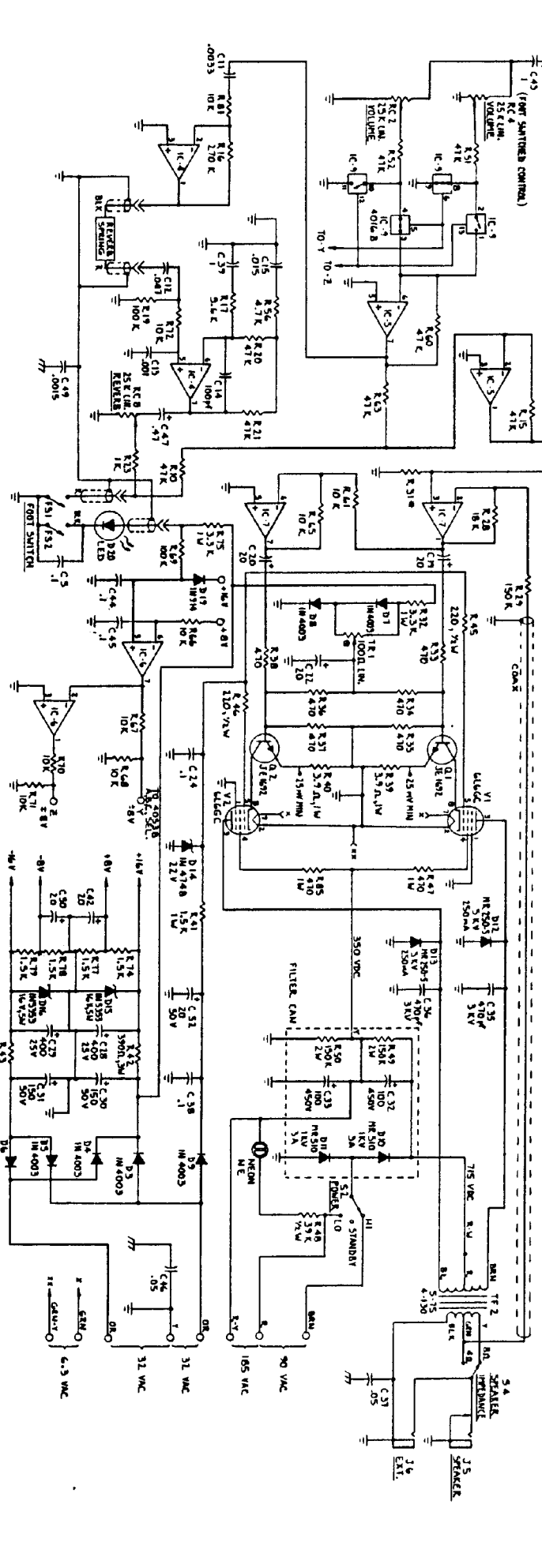
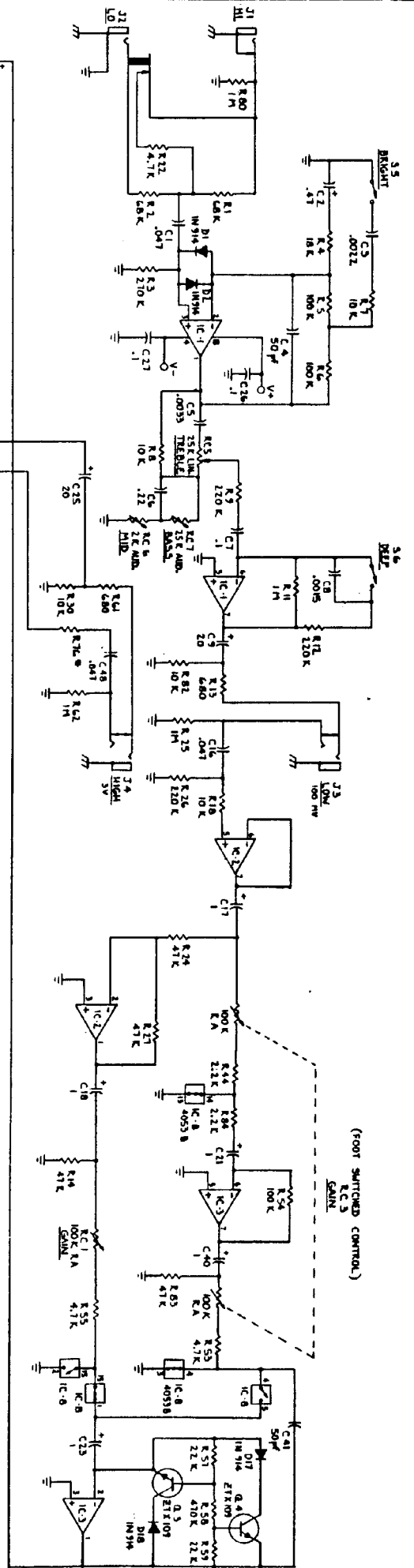
REV.	DATE	BY	CHKD.
1			
2			
3			
4			
5			
6			
7			
8			
9			
10			

NOTE: RESISTANCE VALUES ARE IN OHMS UNLESS OTHERWISE SPECIFIED.
 ALL COMPONENT VALUES ARE IN PERCENT TOLERANCE UNLESS OTHERWISE SPECIFIED.
 ALL CAPACITANCE VALUES ARE IN MICROFARADS UNLESS OTHERWISE SPECIFIED.
 ALL DIODES ARE 1N4001 UNLESS OTHERWISE SPECIFIED.
 ALL TRANSISTORS ARE 2N4350 UNLESS OTHERWISE SPECIFIED.



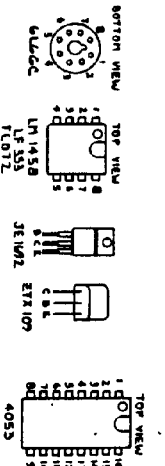
REV.	DATE	BY	CHKD.
1			
2			
3			
4			
5			
6			
7			
8			
9			
10			

MUSIC MAN, INC.
 RD AMPLIFIER CD-2



COMPONENT VALUES

R5	150 K
R31	100 K
R32	220 K
R36	50 K
R37	22 K



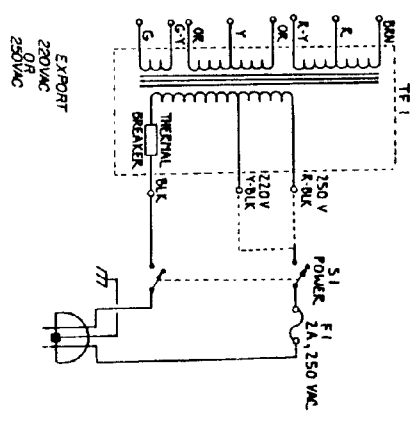
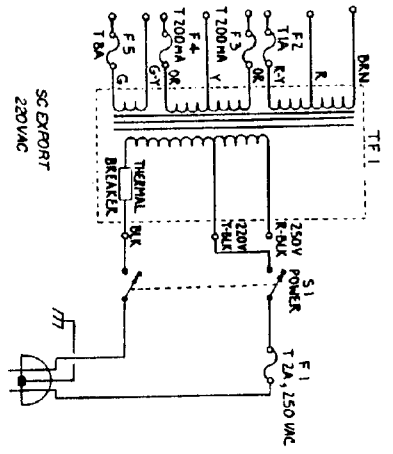
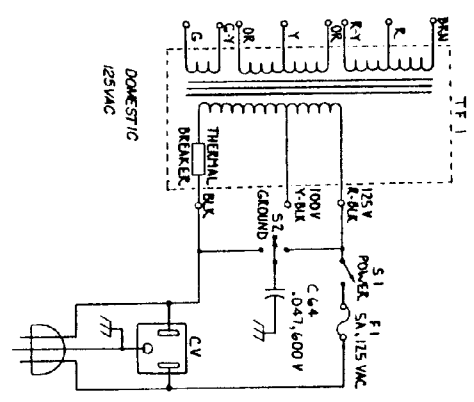
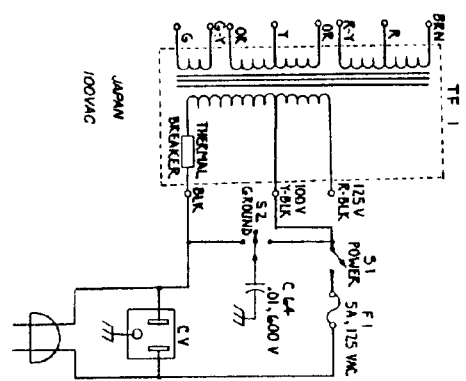
NOTE: 1. ALL RESISTANCE VALUES ARE IN OHMS (Ω) EXCEPT WHERE NOTED.

4. IC-1, IC-3, IC-4 ARE LF 353 OR TL012 OP AMPS.

3. IC-2, IC-5, IC-6, IC-7 ARE LM1458 OP AMPS.

2. ALL CAPACITANCE VALUES ARE IN MICROGRAMS (μF) EXCEPT WHERE NOTED.

DESIGNED BY	J. M. C. L. R. M.
CHECKED BY	R. M. W. S. W.
REVISIONS	1.0
DATE	1-1-78
BY	J. M. C. L. R. M.
APPROVED BY	J. M. C. L. R. M.
DATE	1-1-78
PROJECT	MUSIC PLAYER - SCHEMATIC DRAWING - PART 1
SHEET	1 OF 1

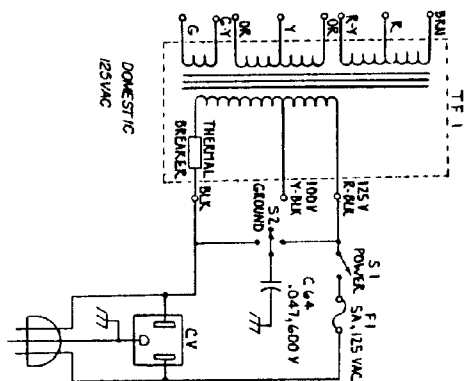


- TF 1 PART NUMBERS
- 100-65 — 6.5 W, 75 W, 100-125 VAC
 - 100-65-250 — 6.5 W, 75 W, 220-250 VAC
 - 200-130 — 100 W, 150 W, 100-115 VAC
 - 200-130-250 — 100 W, 150 W, 220-250 VAC

POWER TRANSFORMER DIAGRAM	
Part No.	5002
Manufacturer	MUSIC MAN INC.
Location	ANN ARBOR, MI.

RD and RP 65 and 100 SERIES PARTS LIST

- Output Transformer- 65 Watt
- Output Transformer- 100 Watt
- Power Transformer - 65 Watt
- Power Transformer - 100 Watt
- Tubes 6L6
- Tubes 6CA7 (older models)
- Tube socket, 8 pin
- Filter cover
- Pilot light assembly
- Control knob- black- 0-10
- Fuse 3A 125V- S10-b10
- Fuse cap (push type)
- Fuseholder (screw-in type)
- Switch, toggle SPTT (standby)
- Control, /00K RA (power)
- Diode IN 4748
- Diode IN 5353
- Diode HV 50 (replaces MR250-5)
- Diode MR 510
- Transistor ZTX 109
- Transistor JH 1692 (2N6292)
- IC TLO72 (LF-353)
- IC MCI 4053B
- IC MC 1458
- IC MC 4016B
- Reverb Pan
- Reverb input transducer
- Reverb output transducer
- Speaker 10" G/HD
- Speaker 10" Electro-Voice
- Speaker 12" C12G
- Speaker 12" Electro-Voice
- Speaker 15" Electro-Voice



POWER TRANSFORMER DIAGRAM	
DATE	REVISED BY
MUSIC MAN INC. ANAHEIM, CA.	
5002	