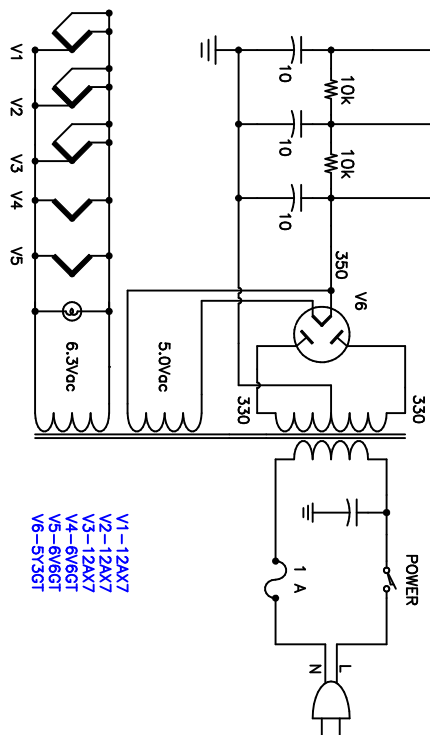
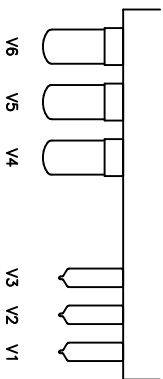


VOLTAGE CHART

#	TYPE	1	2	3	4	5	6	7	8	9
V1	12AX7	90	-0.65	0	3.3oc	3.3oc	90	-0.65	0	3.3oc
V2	12AX7	90	-0.65	0	3.3oc	3.3oc	90	-0.65	0	3.3oc
V3	12AX7	175	NC	1.7			175	22	1.7	3.3oc
V4	6V6GT	NC	3.3oc	345	250	0	NC	3.3oc	15	—
V5	6V6GT	NC	3.3oc	345	250	0	NC	3.3oc	15	—
V6	5Y3GT	NC	350	NC	330	NC	330	NC	350	—



V1-12AX7
 V2-12AX7
 V3-12AX7
 V4-6V6GT
 V5-6V6GT
 V6-5Y3GT

Weatherford Amplifiers

SCALE: NONE

DATE: 5/18/2005

This schematic redrawn from an original copy of the Gibson schematic.
 Weatherford Amplifiers claims no rights to any of the information in this drawing.

DRAWN: Bgson Weatherford

DRAWING NUMBER

1956 GIBSON GA20