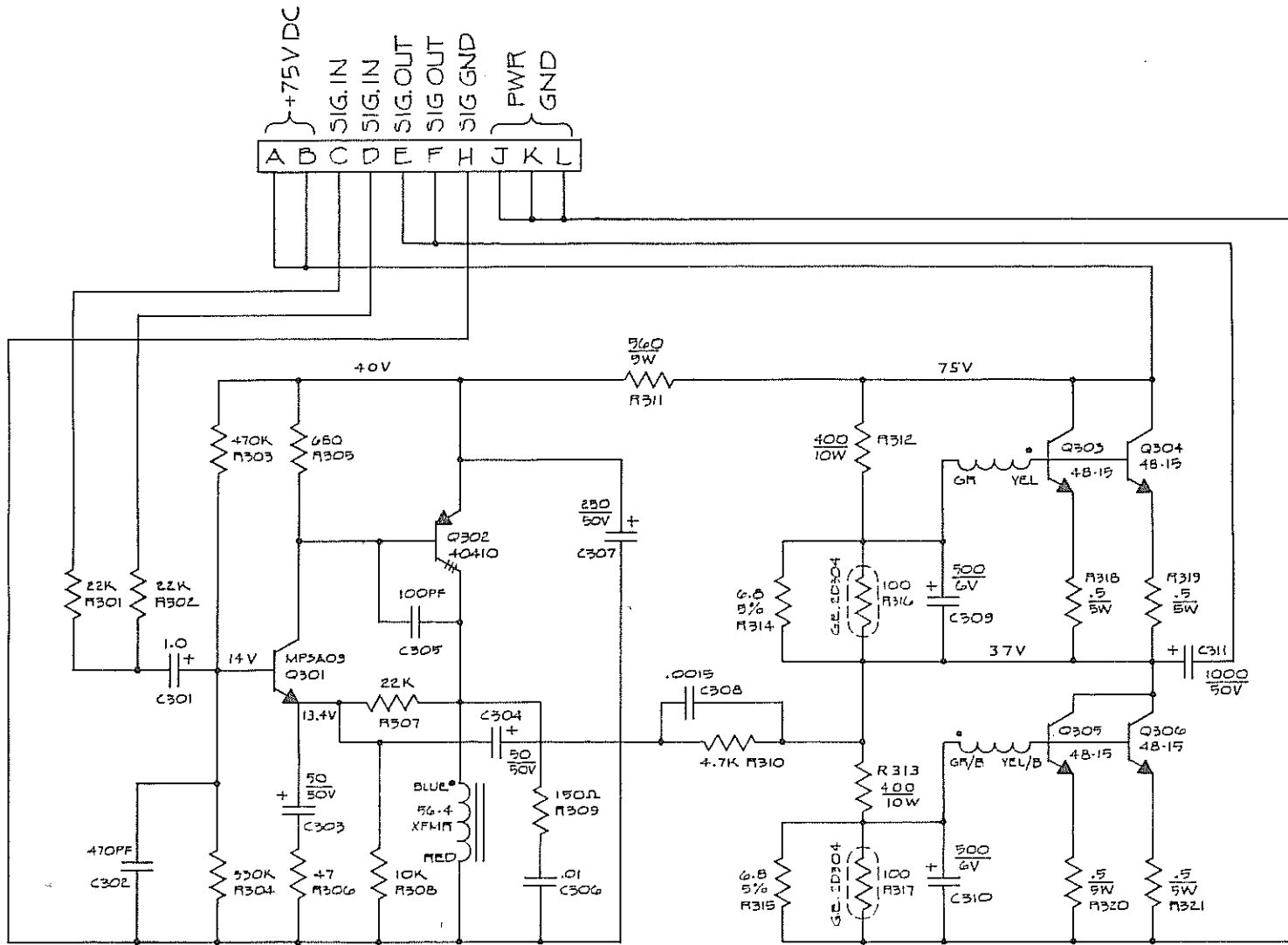


PREAMP (17-10)

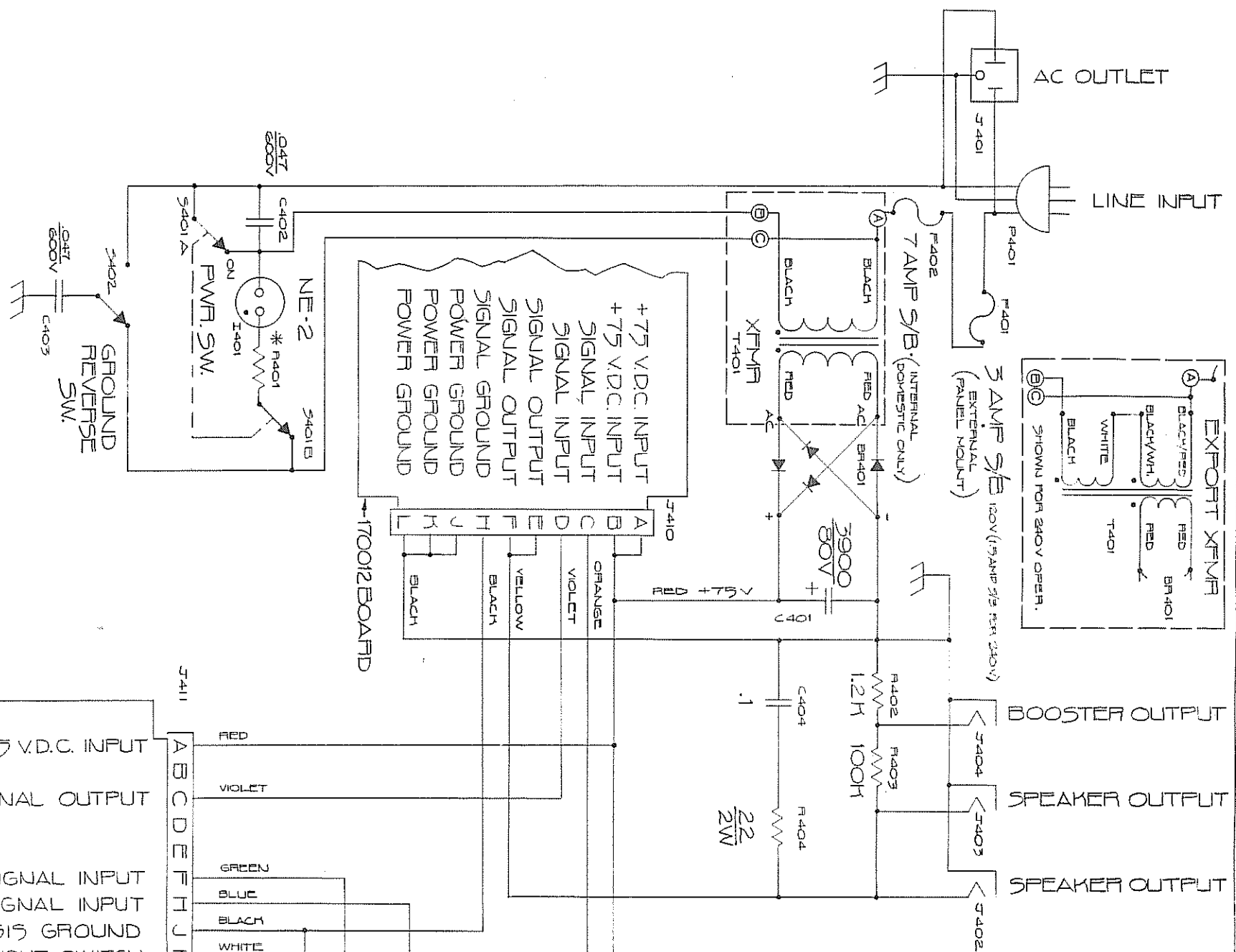
BY CHG PBR BCM 1101	12-11-72
AIMADE NEW DWG	1-11-71
SCALE: NONE	APPROVED:
DATE: 1-11-71	DRAWN: JHC
SCHEMATIC 17-10	
ACOUSTIC CONTROL CORP.	1104B

P/N 410051

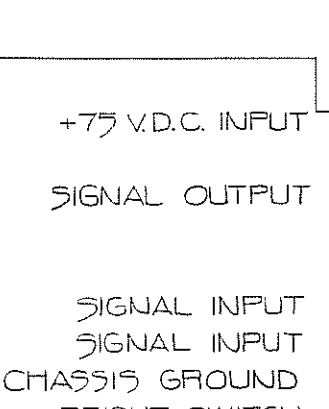


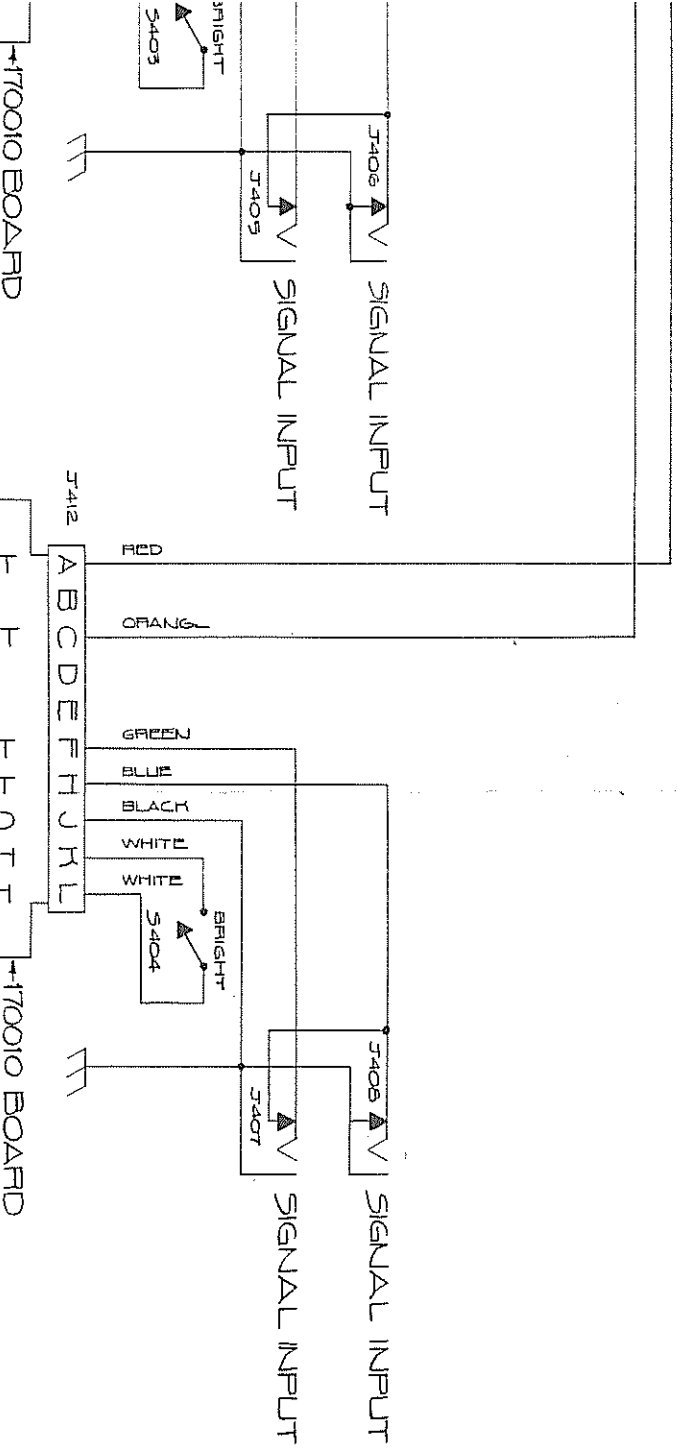
POWER MODULE (17-12)

A MADE NEW VELLUM	1-11-71
SCALE NONE	APPROVED
DATE 1-11-71	DRAWN
SCHEMATIC (17-12)	
ACOUSTIC CONTROL CORP	1103A



NOTE:-
 F401 FOR 120V=47H
 F401 FOR 240V=100H





- I. PLOT LAMP
- P. PLUG
- T. TRANSFORMER
- F. FUSE
- S. SWITCH
- J. JUNCTION
- R. RESISTOR
- C. CAPACITOR

BI EQU LIT'S MADE NEW DWG	3-5-75 JLE
DATE: NONE	REVISION: JLE
DATE: 3-5-75	DESIGNED BY: [Signature]
CHAS 919 WIRING (140)	
ACOUSTIC CONTROL	
	1107B