

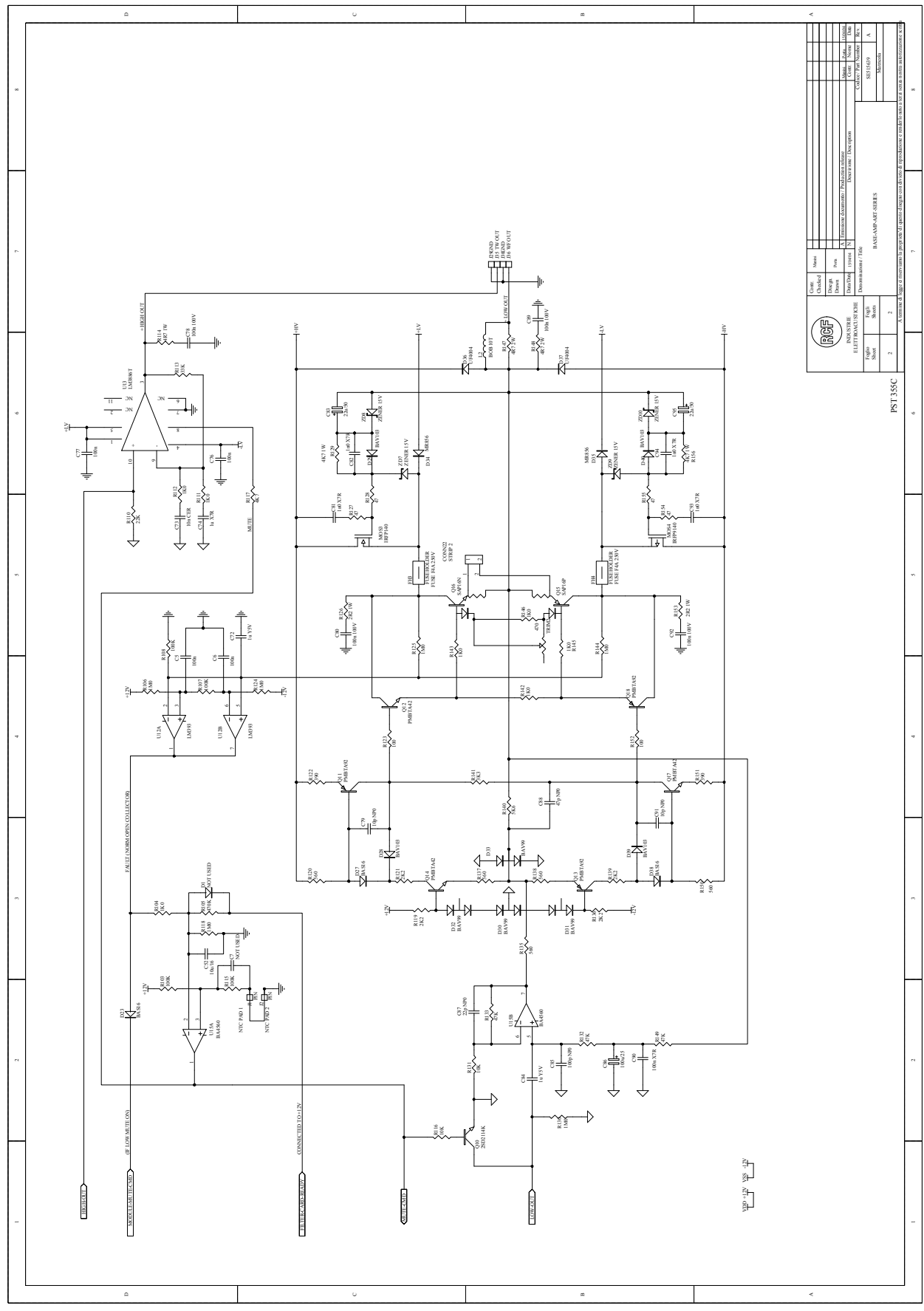
FUNCTION TABLE

INPUTS	CHANNEL ON
IN XYZ	XYZ
L X Y Z	XYZ
H X X	XYZ

DEFAULT XYZ = X/Y/Z

Company	Radio Shack
Product	INDUSTRIAL ELECTRONICS
Part Number	PST 335C
Revision	1
Quantity	1
Drawn By	J. J. ...
Checked By	J. J. ...
Approved By	J. J. ...
Date	...
Sheet	1 of 1

PST 335C



Rev	Description	Date
1	Initial Design	10/15/00
2	Final Design	10/15/00
3	Final Design	10/15/00
4	Final Design	10/15/00
5	Final Design	10/15/00
6	Final Design	10/15/00
7	Final Design	10/15/00
8	Final Design	10/15/00
9	Final Design	10/15/00
10	Final Design	10/15/00
11	Final Design	10/15/00
12	Final Design	10/15/00
13	Final Design	10/15/00
14	Final Design	10/15/00
15	Final Design	10/15/00
16	Final Design	10/15/00
17	Final Design	10/15/00
18	Final Design	10/15/00
19	Final Design	10/15/00
20	Final Design	10/15/00
21	Final Design	10/15/00
22	Final Design	10/15/00
23	Final Design	10/15/00
24	Final Design	10/15/00
25	Final Design	10/15/00

PST 335C

A revision of this drawing is not valid unless it is accompanied by a change order or a change order number.

Drawn by: [Name]

Checked by: [Name]

Approved by: [Name]

Date: [Date]

Project: [Project Name]

Drawing Number: [Drawing Number]

Revision Number: [Revision Number]

Drawing Title: [Drawing Title]

Drawing Scale: [Drawing Scale]

Drawing Size: [Drawing Size]

Drawing Status: [Drawing Status]

Drawing Location: [Drawing Location]

Drawing Author: [Drawing Author]

Drawing Date: [Drawing Date]

Drawing Version: [Drawing Version]

Drawing Revision: [Drawing Revision]

Drawing Change: [Drawing Change]

Drawing Comment: [Drawing Comment]