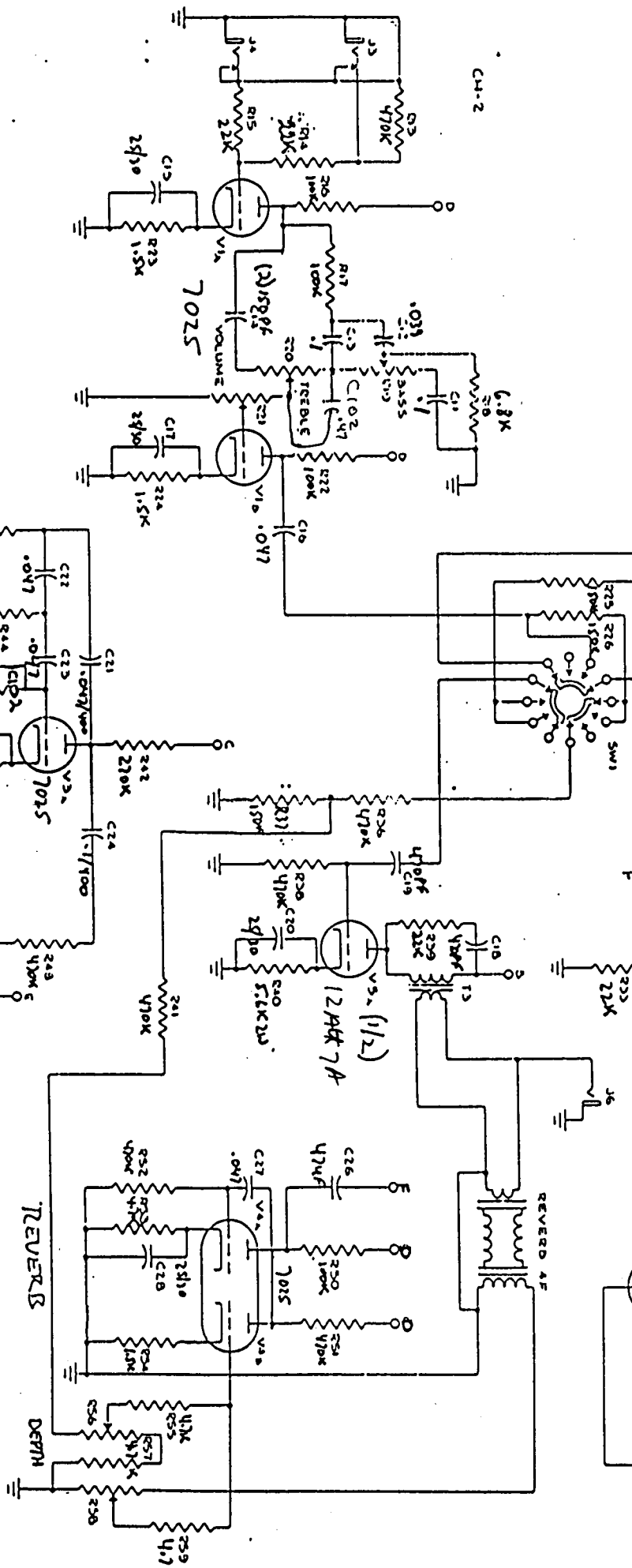
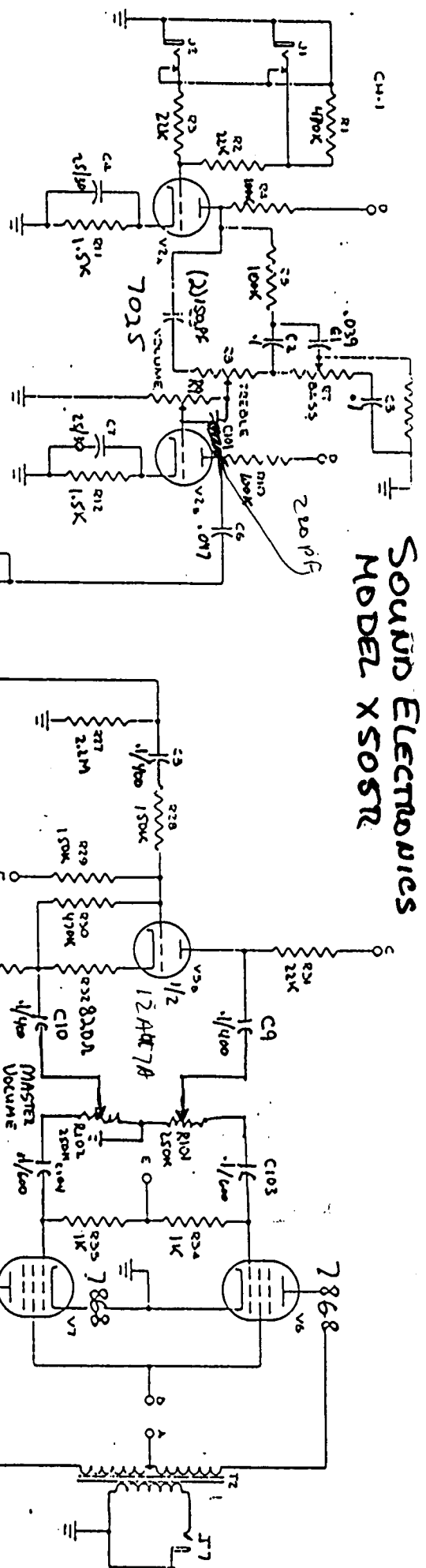


SOUND ELECTRONICS MODEL X505R



Revised Schematic 11/94