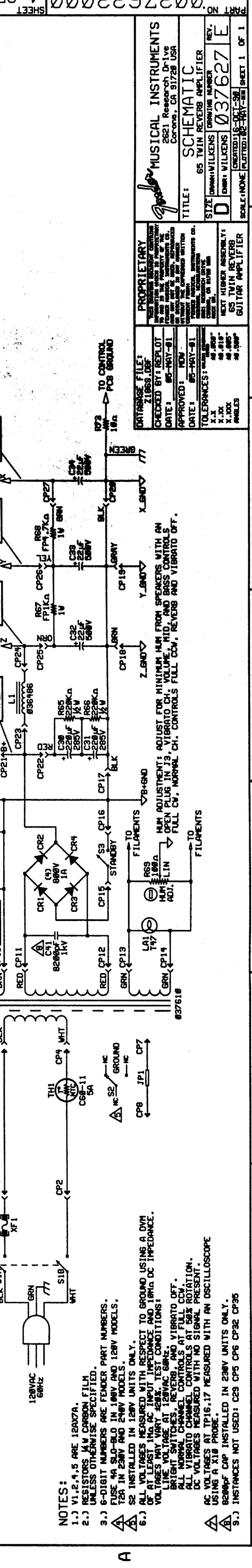
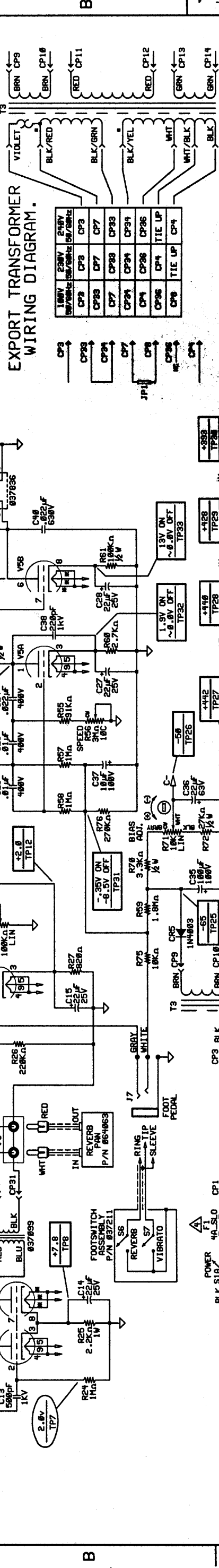
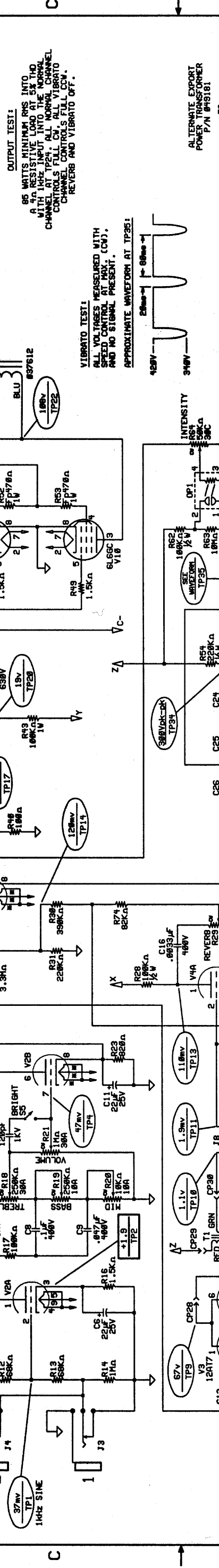
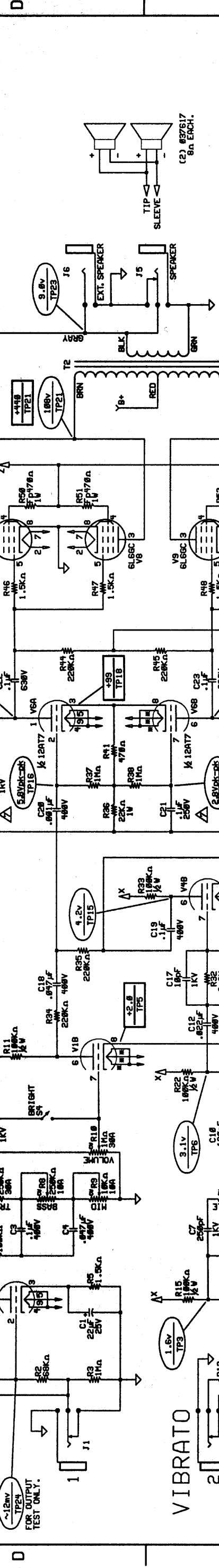
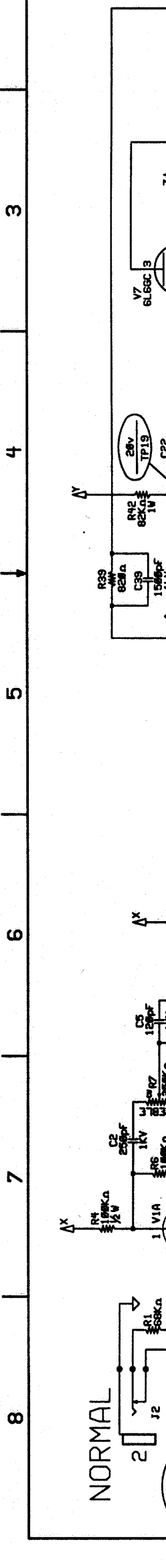


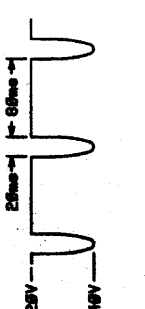
REVISIONS

REV.	DESCRIPTION	DATE	APPROVED
A	RELEASED PR186	88-MAR-91	
B	ECO L02271	88-JUL-91	
C	EC 784	11-SEP-91	
D	EC 1388 / ECO L02897	28-OCT-94	MDW
E	EC 1786	16-OCT-96	MDW



OUTPUT TEST:
85 WATTS MINIMUM RMS INTO A 4Ω RESISTIVE LOAD 5V TPO WITH 100% INPUT INTO THE NORMAL CHANNEL AT TP24. ALL NORMAL CHANNEL CONTROLS FULL CW. ALL VIBRATO CHANNELS FULL CCW. REVERB AND VIBRATO OFF.

VIBRATO TEST:
ALL VOLTAGES MEASURED WITH SPEED CONTROL AT MAX. (CW), AND NO SIGNAL PRESENT.
APPROXIMATE WAVEFORM AT TP35:



EXPORT TRANSFORMER WIRING DIAGRAM.

100V	200V	240V
CP3	CP8	CP9
CP8	CP7	CP7
CP7	CP8	CP3
CP9	CP9	CP9
CP4	CP6	CP6
CP6	CP4	TIE UP
CP9	TIE UP	CP4

- NOTES:**
- V1, 2, 4, 5 ARE 120K7A.
 - RESISTORS 1/4W CARBON FILM UNLESS OTHERWISE SPECIFIED.
 - 6-DIGIT NUMBERS ARE FENDER PART NUMBERS.
 - FUSE 4A SLO-BLO IN 100V AND 120V MODELS. T2R IN 230V AND 240V MODELS.
 - S2 INSTALLED IN 120V UNITS ONLY.
 - ALL VOLTAGES MEASURED WITH RESPECT TO GROUND USING A DVM OR AT LEAST 1MΩ AC INPUT IMPEDANCE AND 50MΩ DC IMPEDANCE. VOLTAGE MAY VARY ±20% TEST CONDITIONS!
 - LINE VOLTAGE MAY VARY AT 120VAC 60Hz. BRIGHT SWITCHES, REVERB, AND VIBRATO OFF. ALL NORMAL CHANNEL CONTROLS AT FULL CCW. ALL VIBRATO CHANNEL CONTROLS AT 50% ROTATION.
 - DC VOLTAGES MEASURED WITH NO SIGNAL PRESENT. AC VOLTAGES MEASURED WITH AN OSCILLOSCOPE USING A X10 PROBE.
 - 8200pF CAP INSTALLED IN 230V UNITS ONLY.
 - INSTANCES NOT USED: CP3 CP5 CP6 CP32 CP36

MUSICAL INSTRUMENTS
2621 Research Dr. Ives
Corona, CA 91728 USA

SCHEMATIC
6S TWIN REVERB AMPLIFIER
DRAWING NUMBER: 037627
REV. E

PROPRIETARY
THIS DRAWING IS THE PROPERTY OF MUSICAL INSTRUMENTS. IT IS TO BE USED ONLY FOR THE MANUFACTURE OF THE INSTRUMENTS IDENTIFIED HEREIN. IT IS NOT TO BE REPRODUCED, COPIED, OR TRANSMITTED IN ANY FORM OR BY ANY MEANS, ELECTRONIC OR MECHANICAL, INCLUDING PHOTOCOPYING, RECORDING, OR BY ANY INFORMATION STORAGE AND RETRIEVAL SYSTEM.

DATE: 85-MAY-91
APPROVED: MDW
DATE: 85-MAY-91

TOLERANCES:
X.XX ±.005"
X.XX ±.010"
X.XX ±.015"
X.XX ±.020"

SIZE: D
SCALE: NONE
DATE: 85-MAY-91
BY: JMW
CHKD: JMW
APP'D: JMW

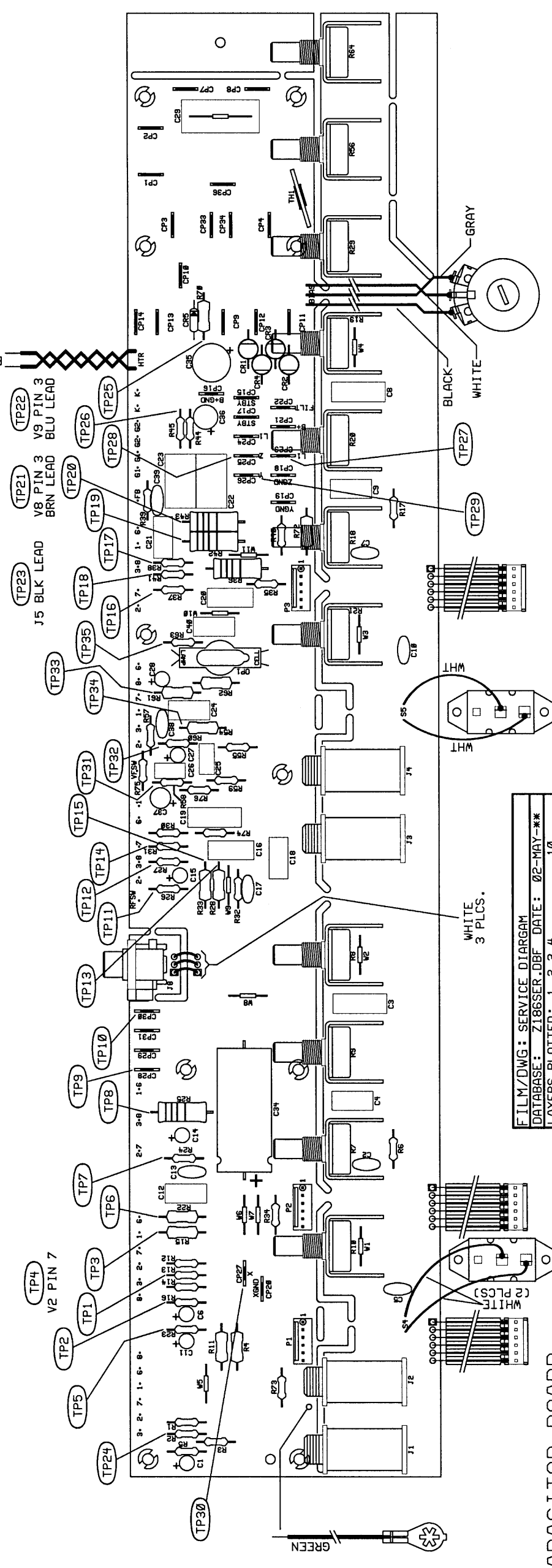
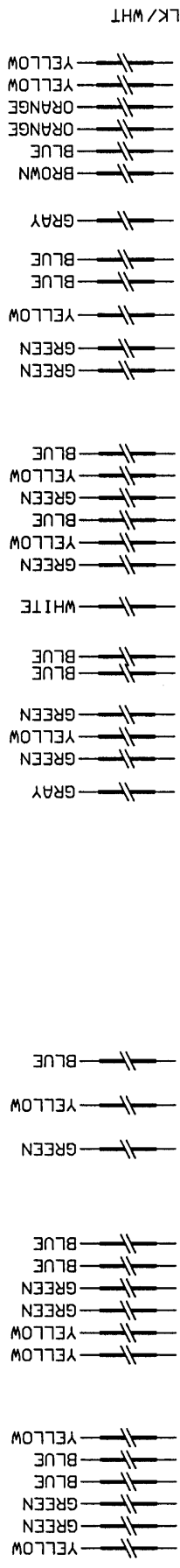
FILE: Z1863.DBF
CHECKED BY: REPLIT
DATE: 85-MAY-91

ADJUSTMENT: ADJUST FOR MINIMUM HUM FROM SPEAKERS WITH AN OPEN PLUG IN J3. VIBRATO CH. VOLUME, MID, AND BASS CONTROLS FULL CW. NORMAL CH. CONTROLS FULL CCW. REVERB AND VIBRATO OFF.

1 2 3 4 5 6

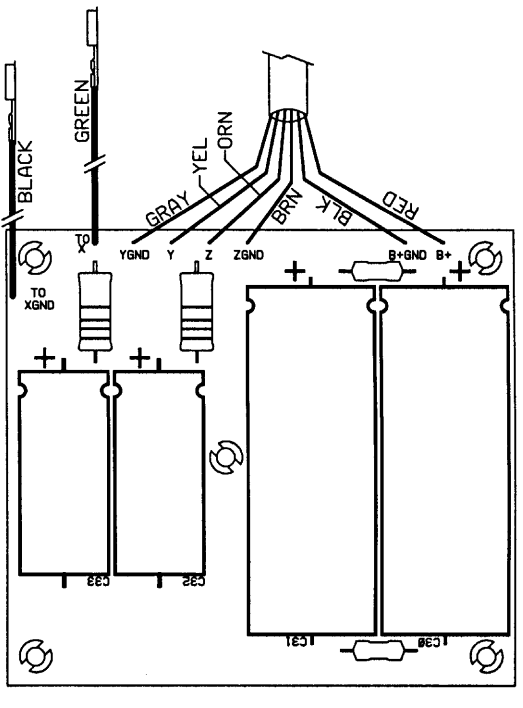
REVISIONS

ZONE	REV.	DESCRIPTION	DATE	APPROVED
	A	RELEASED PR 186	3/8/91	
	B	ECO L02271	09-JUL-91	
	C	EC 784	11-SEP-91	
△	D	EC 1388 / ECO L02839	24-JAN-95	<i>WLN</i>



FILM/DWG: SERVICE DIAGRAM
 DATABASE: Z186SER.DBF DATE: 02-MAY-95
 LAYERS PLOTTED: 1 2 3 4 10 15 18

CAPACITOR BOARD



NOTES:
 1.) PCB SHOWN AS FABRICATED, EXCEPT WITH CAPACITOR BREAK-AWAY BOARD SEPARATED. REV. D REFLECTS THE REMOVAL OF SECONDARY FUSING IN EXPORT UNITS THAT USE POWER TRANSFORMER P/N 049181, AND THE REMOVAL OF THE LINE BYPASS CAPACITOR IN DOMESTIC UNITS.

DATABASE FILE: Z186SER.DBF	PROPRIETARY THIS DRAWING DOCUMENT CONTAINS INFORMATION WHICH IS PROPRIETARY TO FENNER MUSICAL INSTRUMENTS CO. AND MAY NOT BE USED, REPRODUCED OR DISCLOSED IN ANY MANNER WITHOUT THE EXPRESSED WRITTEN CONSENT OF FENNER MUSICAL INSTRUMENTS CO.
CHECKED BY: REPLST	FENNER MUSICAL INSTRUMENTS CO. REGIONAL HEADQUARTERS 2621 RESEARCH DRIVE CORONA, CA 91728 USA STILL BELONGING...
DATE: 02-MAY-01	REV. D
APPROVED: <i>WLN</i>	TITLE: SERVICE DIAGRAM 65 TWIN REVERB
DATE: 02-MAY-01	SIZE: B
TOLERANCES: UNLESS OTHERWISE SPECIFIED: X.XX X.XXX X.XXX	DRAWN: WILKENS ENGR: WILKENS
ANGLES	DRAWING NUMBER: 037632
	REV. D
	SCALE: NONE
	CREATED: 01-NOV-90
	PLOTTED: 02-MAY-95
	SHEET 1 OF 1

C B A

C B A