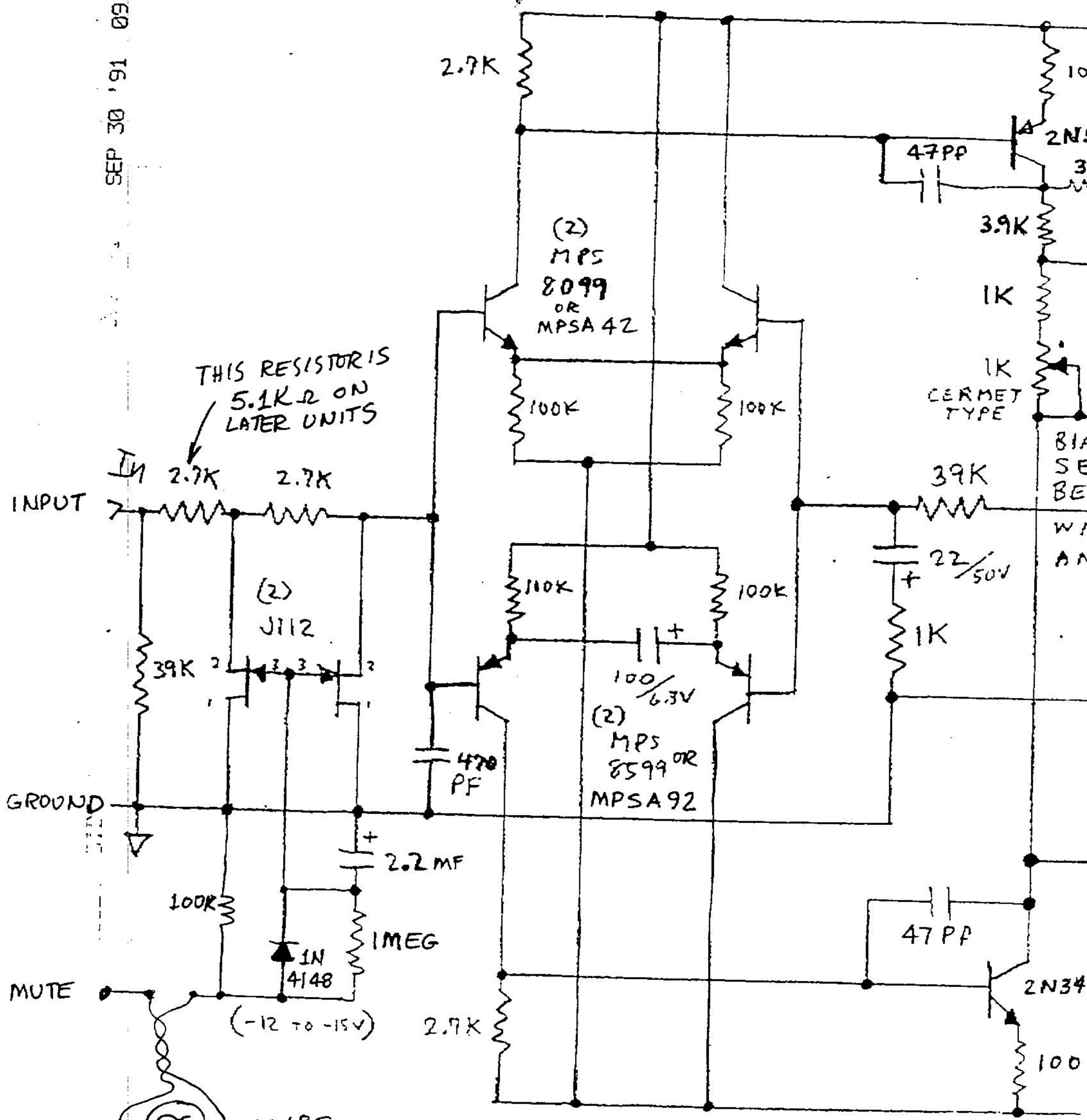


SEP 30 '91 09:30



THIS RESISTOR IS  
5.1KΩ ON  
LATER UNITS

INPUT

GROUND

MUTE

190°F  
OR  
210°F  
N.C. T-STAT

GAIN = X 40

PM 400