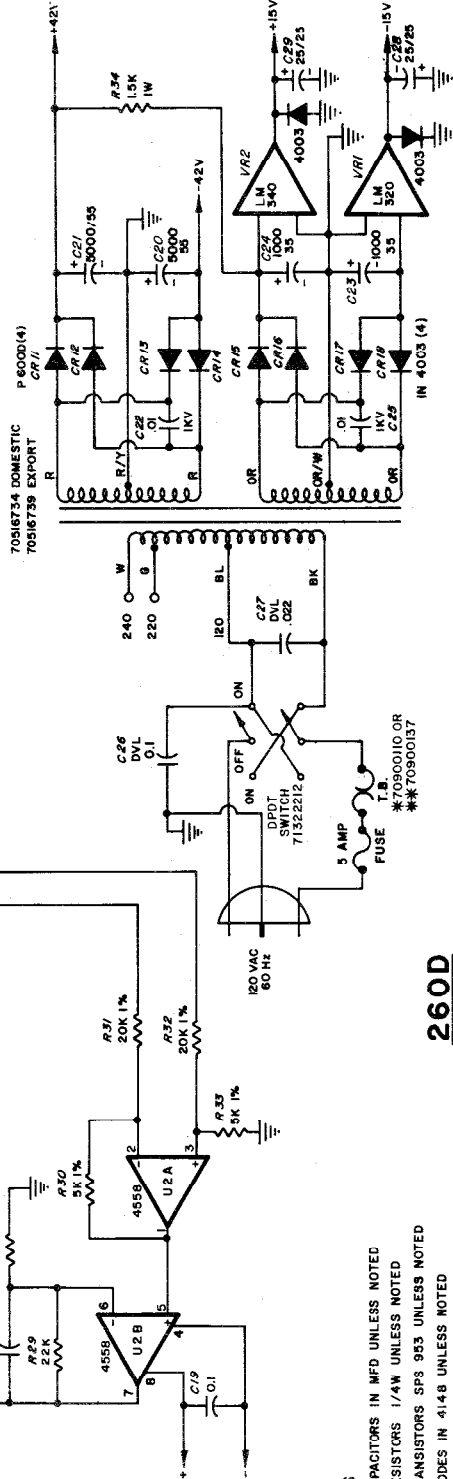
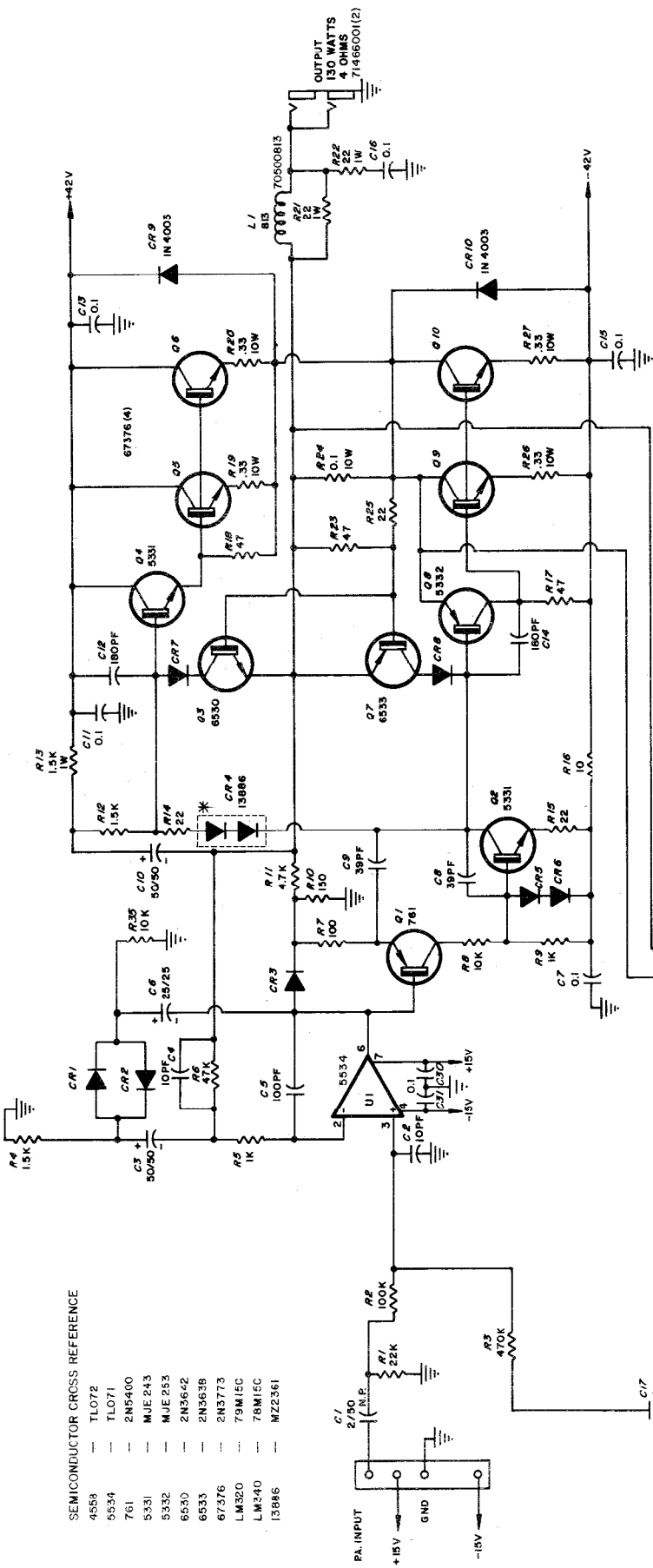


SEMICONDUCTOR CROSS REFERENCE

4558	TL072
5534	TLO71
761	2N5400
5331	MJE 243
5332	MJE 253
6530	2N3642
6533	2N3638
67376	2N3773
LM320	79M15C
LM340	78M15C
13886	MZ2361



NOTES

- ALL CAPACITORS IN MFD UNLESS NOTED
- ALL RESISTORS 1/4W UNLESS NOTED
- ALL TRANSISTORS SP3 953 UNLESS NOTED
- ALL DIODES IN 4148 UNLESS NOTED
- LAST REFERENCE DESIGNATOR USED
- C3 R35 Q10 U2 CR18
- \*\*ATTACHED TO H.S. \*\* ATTACHED TO 67376 TRANSISTOR

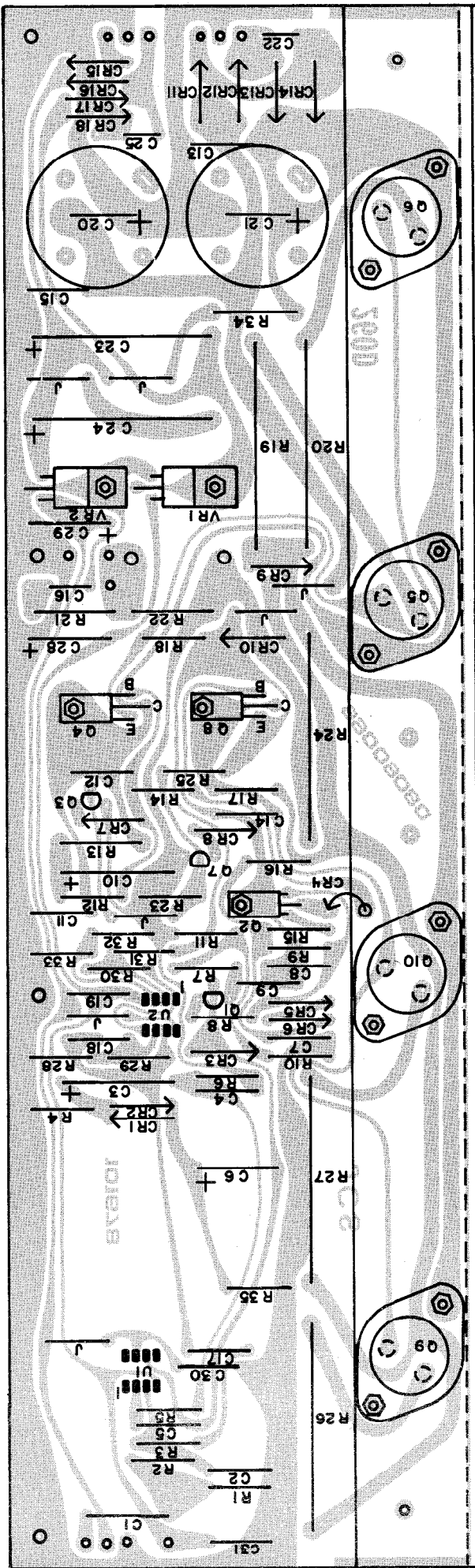
PRINTED IN U.S.A. ©1986 PEAVEE ELECTRONICS

260D

PEAVEE ELECTRONICS CORP.  
MERIDIAN, MS

DRAWN BY: [Signature]  
DATE: [Blank]  
CK. BY: [Signature]  
APPR. BY: [Signature]

REVISED 8/11/86



260 D