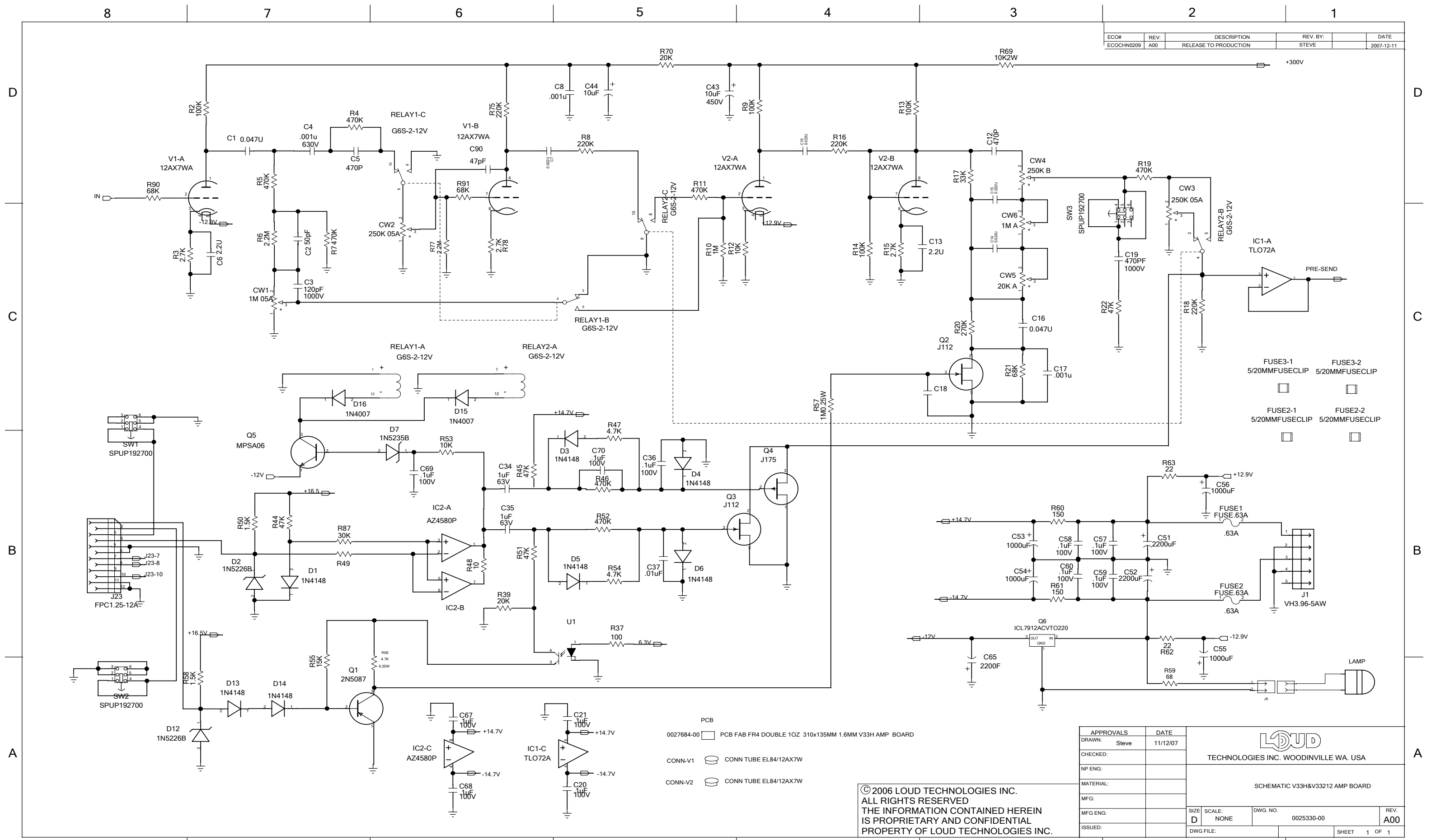


ECO#	REV.	DESCRIPTION	REV. BY:	DATE
ECOCHN0209	A00	RELEASE TO PRODUCTION	STEVE	2007-12-11



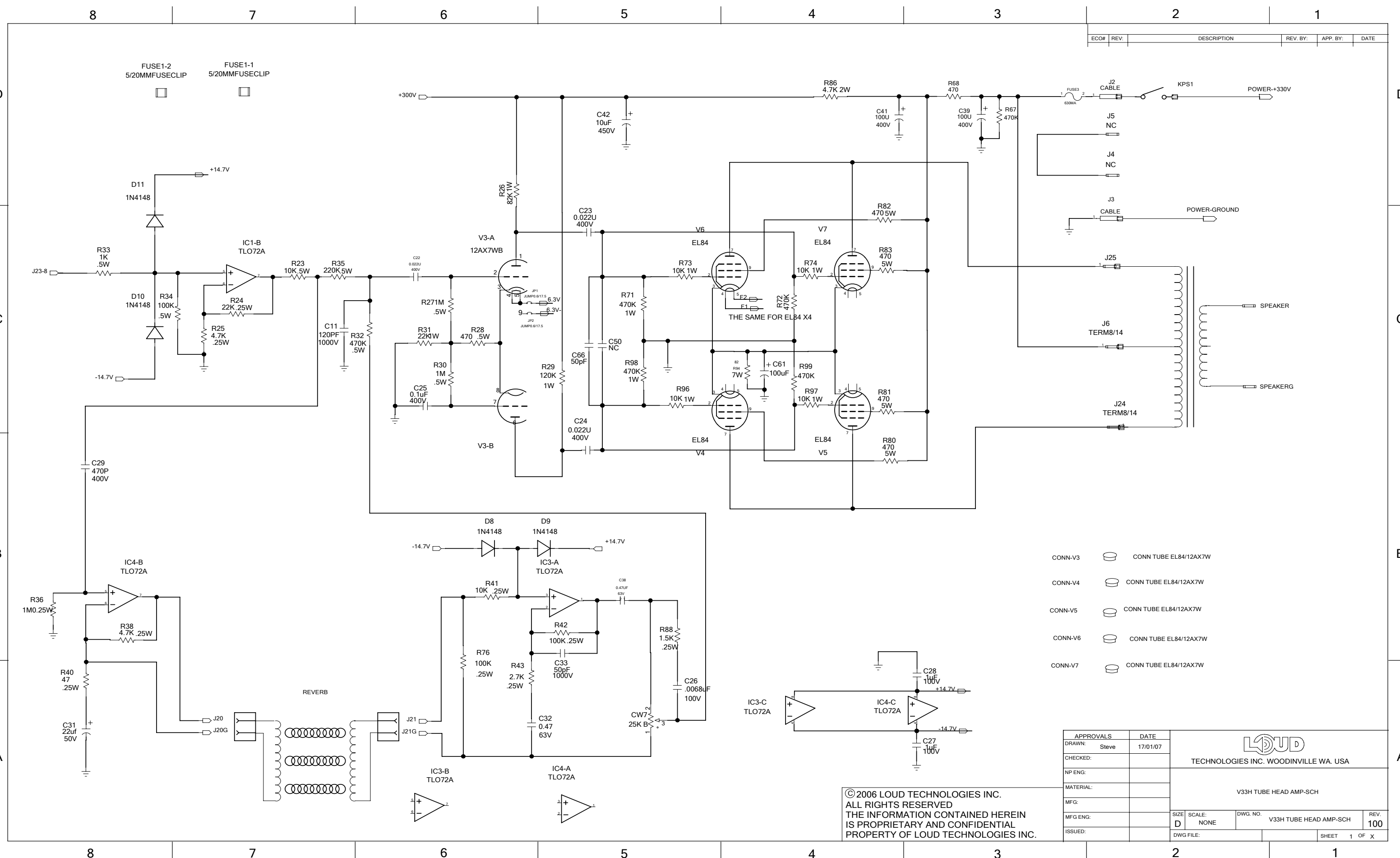
- PCB
0027684-00 □ PCB FAB FR4 DOUBLE 1OZ 310x135MM 1.6MM V33H AMP BOARD
- CONN-V1 ○ CONN TUBE EL84/12AX7W
- CONN-V2 ○ CONN TUBE EL84/12AX7W

© 2006 LOUD TECHNOLOGIES INC.
ALL RIGHTS RESERVED
THE INFORMATION CONTAINED HEREIN
IS PROPRIETARY AND CONFIDENTIAL
PROPERTY OF LOUD TECHNOLOGIES INC.

APPROVALS		DATE
DRAWN: Steve		11/12/07
CHECKED:		
NP ENG:		
MATERIAL:		
MFG:		
MFG ENG:		
ISSUED:		
SIZE: D		SCALE: NONE
DWG. NO. 0025330-00		REV. A00
DWG FILE:		SHEET 1 OF 1

D
C
B
A

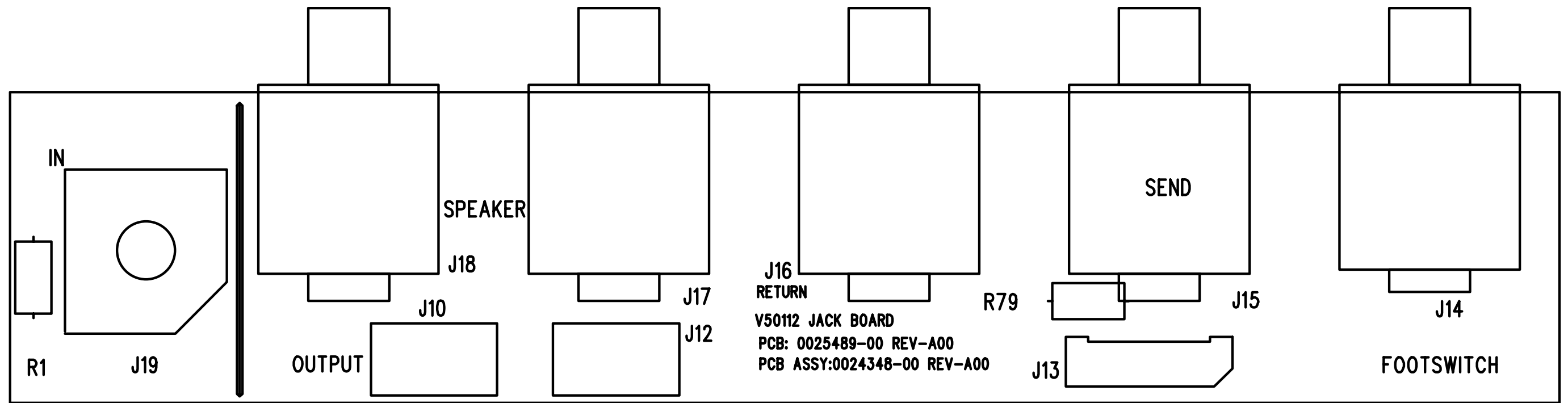
D
C
B
A



- CONN-V3 ⌀ CONN TUBE EL84/12AX7W
- CONN-V4 ⌀ CONN TUBE EL84/12AX7W
- CONN-V5 ⌀ CONN TUBE EL84/12AX7W
- CONN-V6 ⌀ CONN TUBE EL84/12AX7W
- CONN-V7 ⌀ CONN TUBE EL84/12AX7W

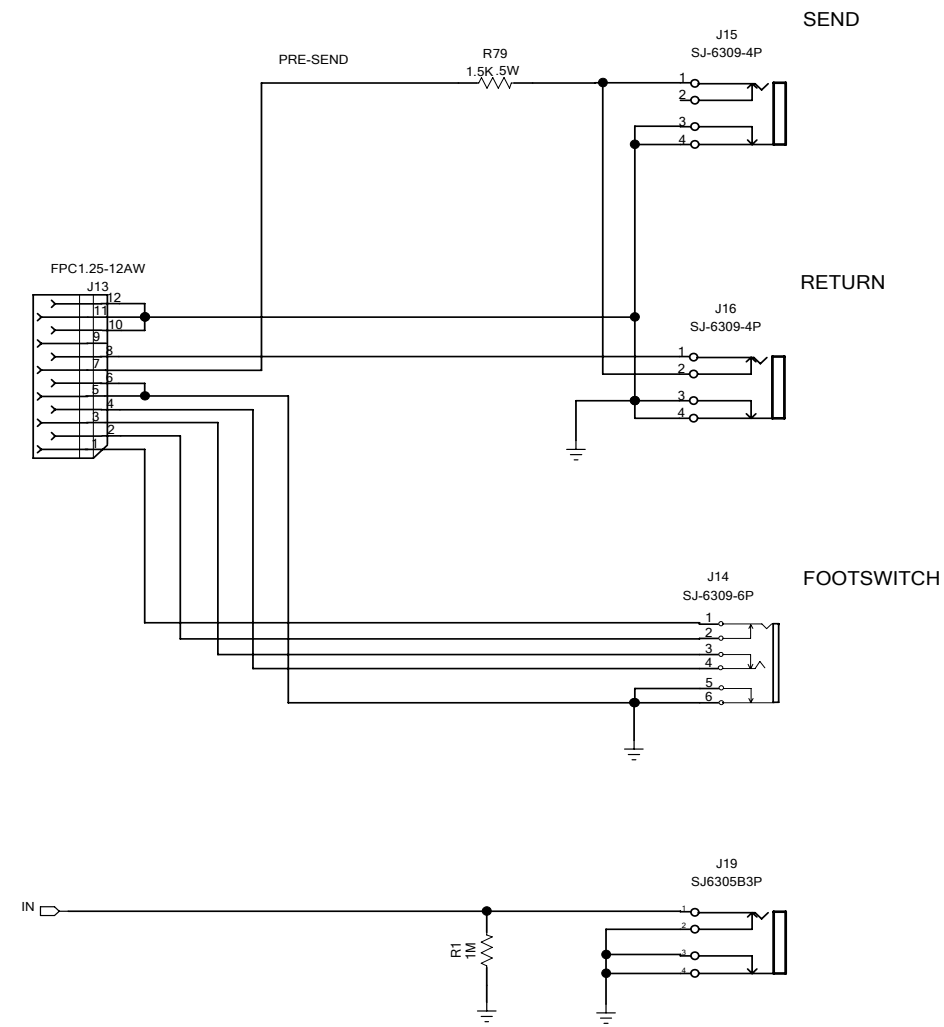
APPROVALS		DATE	 TECHNOLOGIES INC. WOODINVILLE WA, USA			
DRAWN:	Steve	17/01/07				V33H TUBE HEAD AMP-SCH
CHECKED:						
NP ENG:						
MATERIAL:						
MFG:						
MFG ENG:			SIZE: D	SCALE: NONE	DWG. NO. V33H TUBE HEAD AMP-SCH	REV. 100
ISSUED:			DWG FILE:		SHEET 1 OF X	

© 2006 LOUD TECHNOLOGIES INC.
 ALL RIGHTS RESERVED
 THE INFORMATION CONTAINED HEREIN
 IS PROPRIETARY AND CONFIDENTIAL
 PROPERTY OF LOUD TECHNOLOGIES INC.



.pcb – Thu Nov 29 18:11:41 2007

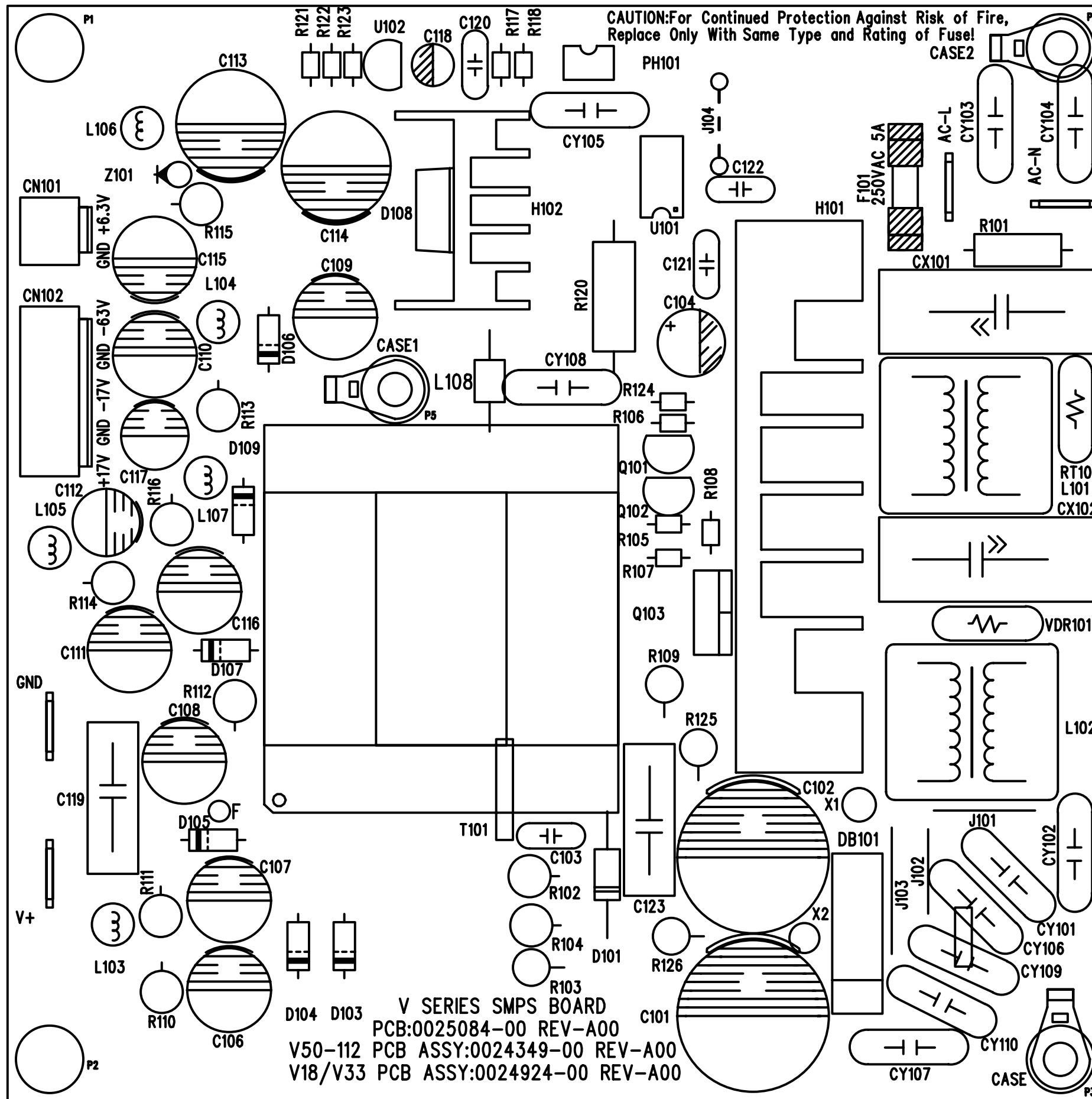
ECO#	REVISION	DESCRIPTION	REV. BY:	DATE
ECOCHN0122	A00	Release to production	Steve. Zhou	2007-12-11



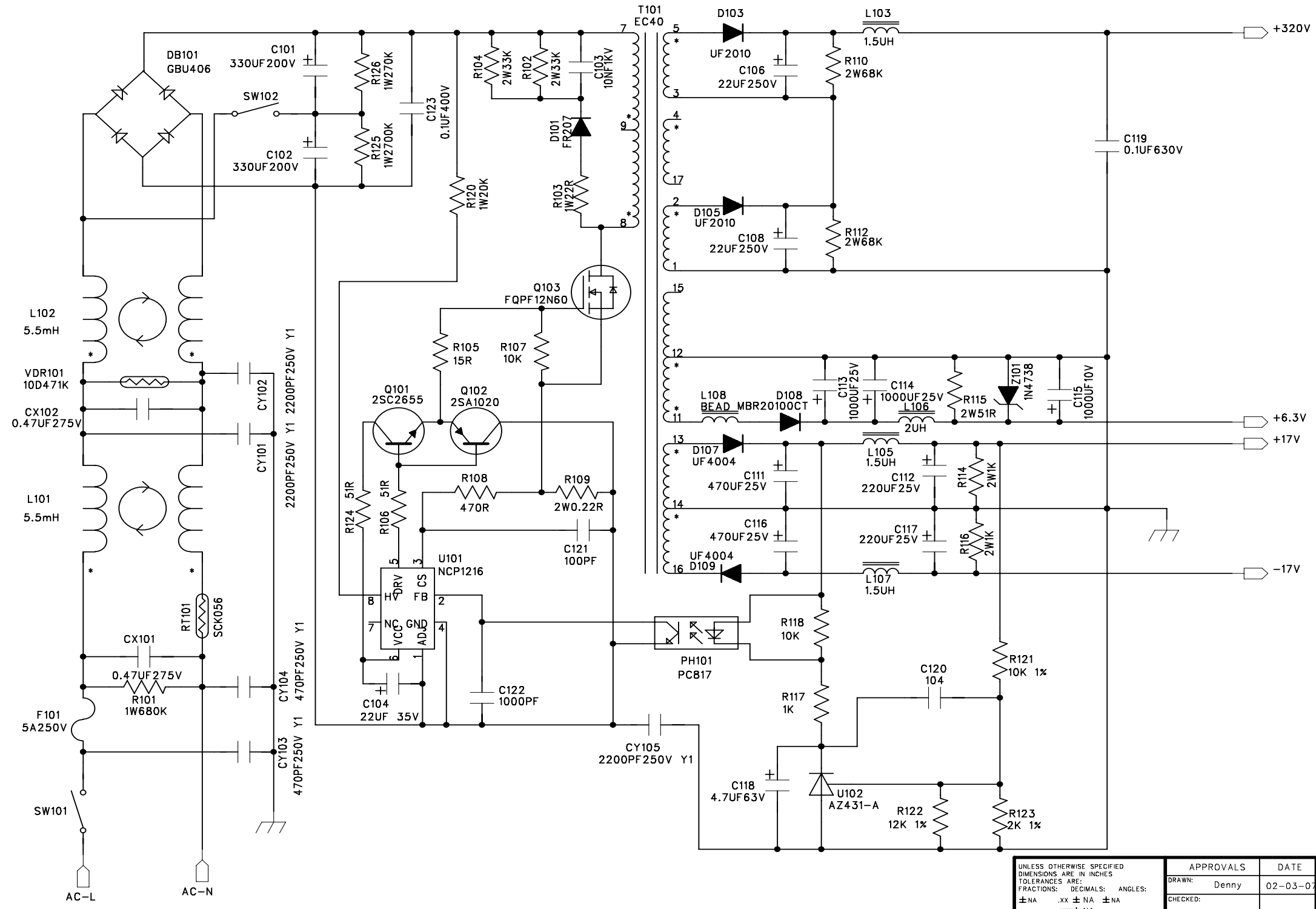
0025489-00 PCB
 0025489-00 PCB BOARD FR4 SINGLE 1OZ 172X34.5MM 1.6MM V50-112 INPUT BOARD

© 2006 LOUD TECHNOLOGIES INC.
 ALL RIGHTS RESERVED
 THE INFORMATION CONTAINED HEREIN
 IS PROPRIETARY AND CONFIDENTIAL
 PROPERTY OF LOUD TECHNOLOGIES INC.

APPROVALS	DATE	LOUD TECHNOLOGIES INC. WOODINVILLE WA. USA			
DRAWN: Steve	11/12/07	SCHEMATIC V50112 JACK BOARD			
CHECKED:					
NP ENG:					
MATERIAL:					
MFG:					
MFG ENG:		SIZE: D	SCALE: NONE	DWG. NO. 0024348-00	REV. A00
ISSUED:		DWG FILE:		SHEET 1 OF 1	



ECO/DSR	REV.	DESCRIPTION	REV.BY	DATE
ECOCHN0119	A00	INITIAL RELEASE TO PRODUCTION	STEVE ZHOU	2007-8-30



©2006 LOUD TECHNOLOGIES INC.
 ALL RIGHTS RESERVED
 THE INFORMATION CONTAINED HEREIN
 IS PROPRIETARY AND CONFIDENTIAL
 PROPERTY OF LOUD TECHNOLOGIES INC.

UNLESS OTHERWISE SPECIFIED DIMENSIONS ARE IN INCHES TOLERANCES ARE: FRACTIONS: DECIMALS: ANGLES: ± NA .xx ± NA ± NA .xxx ± NA		APPROVALS	DATE	 16220 WOOD-RED RD NE WOODINVILLE, WA 98072 V18 POWER SUPPLY
MATERIAL:		DRAWN: Denny	02-03-07	
FINISH:		CHECKED:		
DO NOT SCALE DRAWING		NP ENGINEERING:		
		MANUFACTURING:		
		MFG ENGINEERING:		
		ISSUED:		SIZE: D SCALE: 1:1 DWG. NO.: 0024924-00 REV. A00
		DWG FILE:		SHEET 1 OF 1