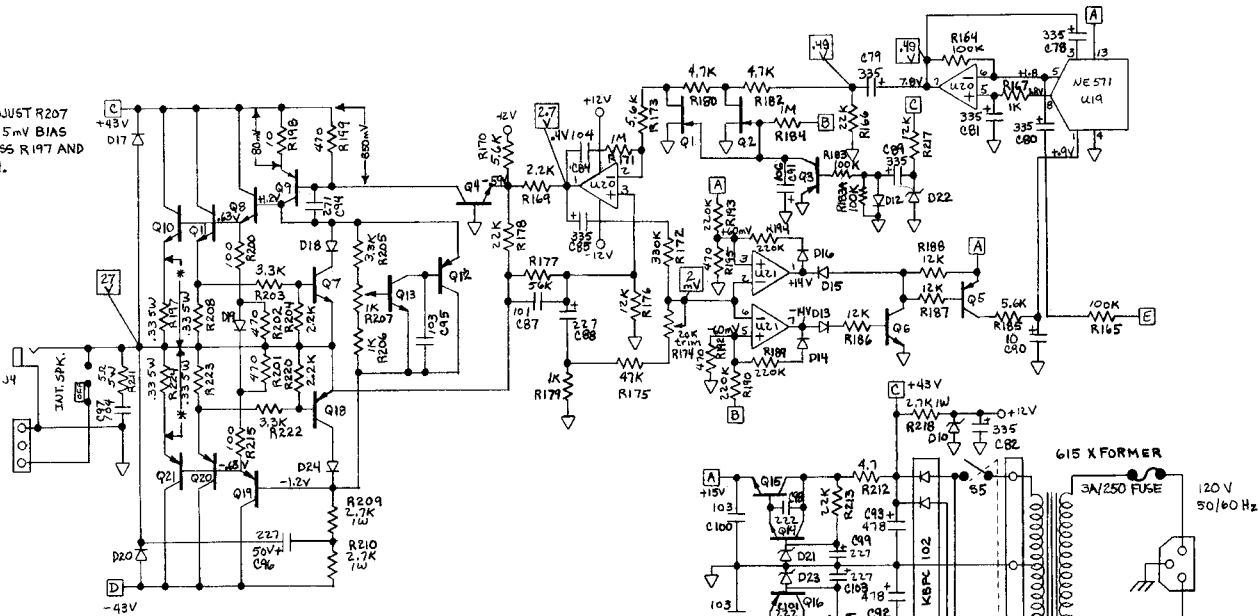
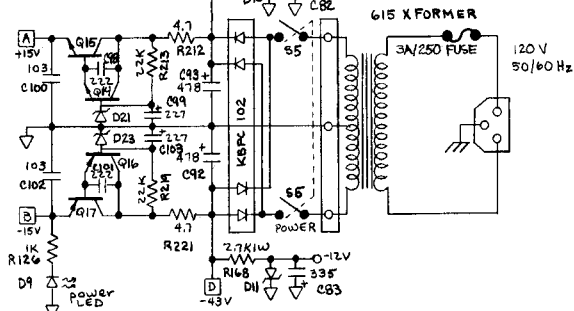


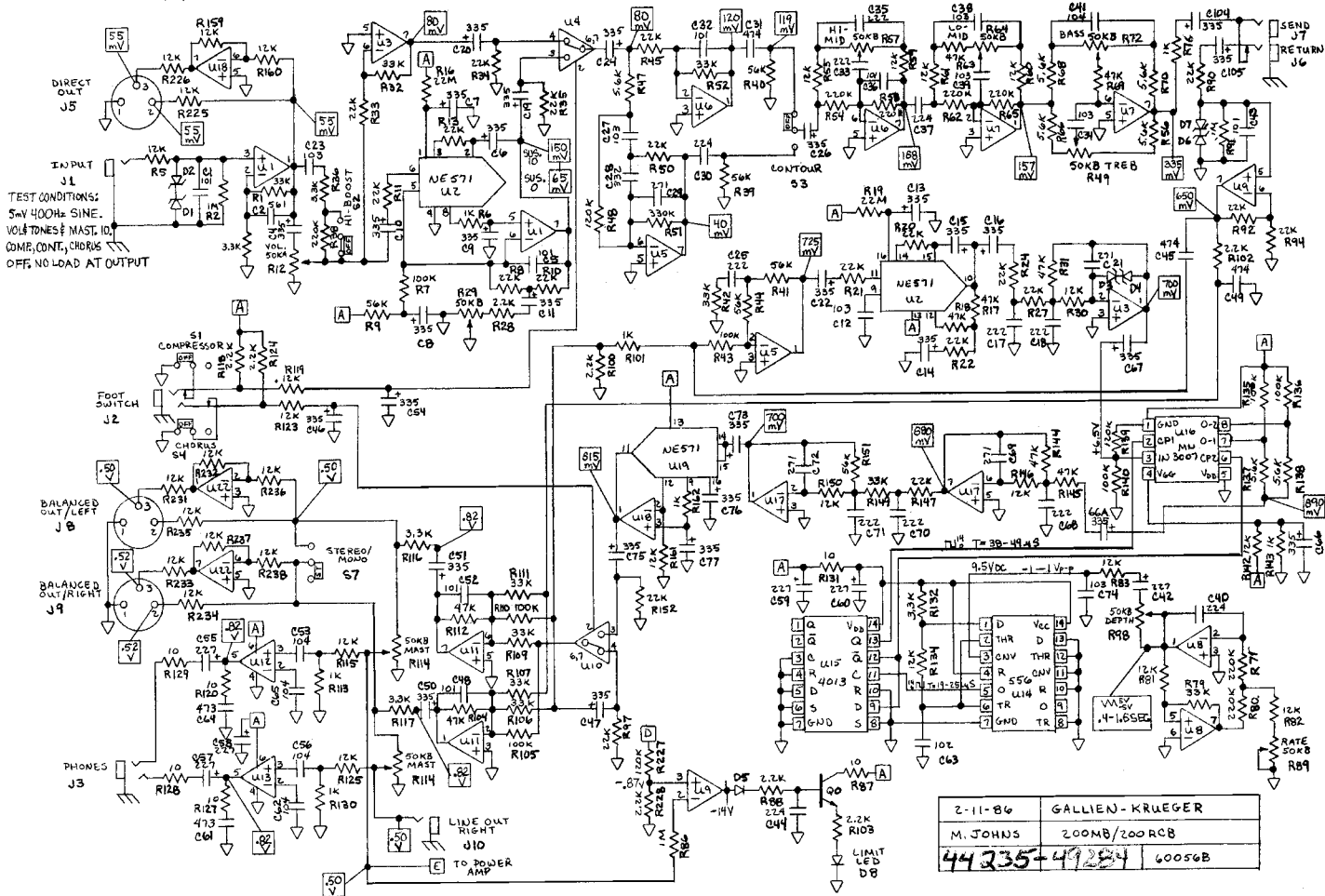
* ADJUST R207 FOR 5-mV BIAS ACROSS R197 AND R224.



- | | | | |
|------------------------------|-------------|-------------------|--------------|
| U14 | -MN3007 | D5,12,13,14,15,16 | -1N914 |
| U14 | -LM556CN | D22 | -1N4688 |
| U4,10 | -TL604CP | D17,18,19,20,24 | -1N4002 |
| U1,3,5,6,7,8,9,11,8,20,21,22 | -LF353N | D3,4 | -1N747A |
| U15 | -CD4013 BCN | D1,2,4,7,10,11 | -1N759A |
| U12,13 | -LM398N | D21,23 | -1N966B |
| U2,19 | -NE571 | D8,9 | -LED T-1 |
| O1,2 | -J113 | J1,6 | -RN112APC |
| Q1,4,6,7,13,14 | -MPS A06 | J2 | -RN114BPC |
| Q3,5,12,16,18 | -MPS A56 | J4,7,10 | -RN111PC |
| Q3,5 | -TIP29C | J5 | -RN112BPC |
| Q9,17,19 | -TIP30C | J5B,9 | -DO X7016ZPC |
| Q10,11 | -TIP33C | | |
| Q20,21 | -TIP34C | | |



11-4-85	GALLIEN-KRUEGER
M. JOHNS	200MB
	60056B



2-11-86	GALLIEN-KRUEGER
M. JOHNS	200MB/200RCB
44235-49254	60056B