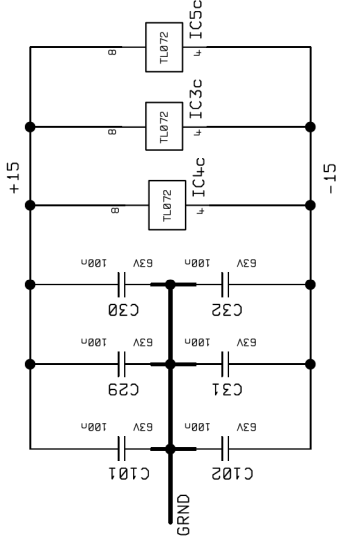
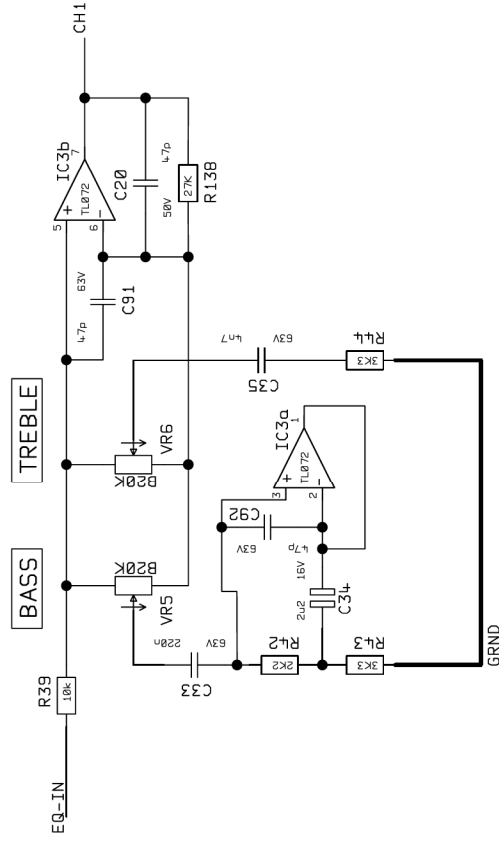
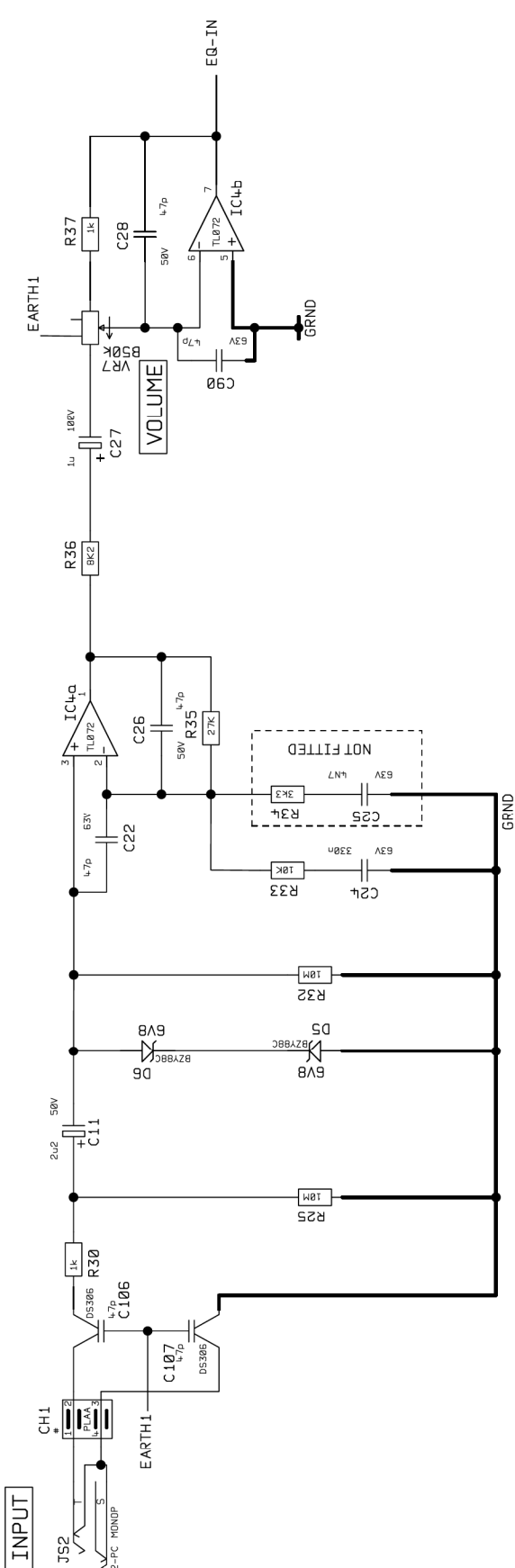
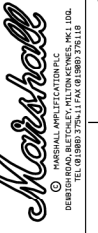


DWG.No. AS50-60-02

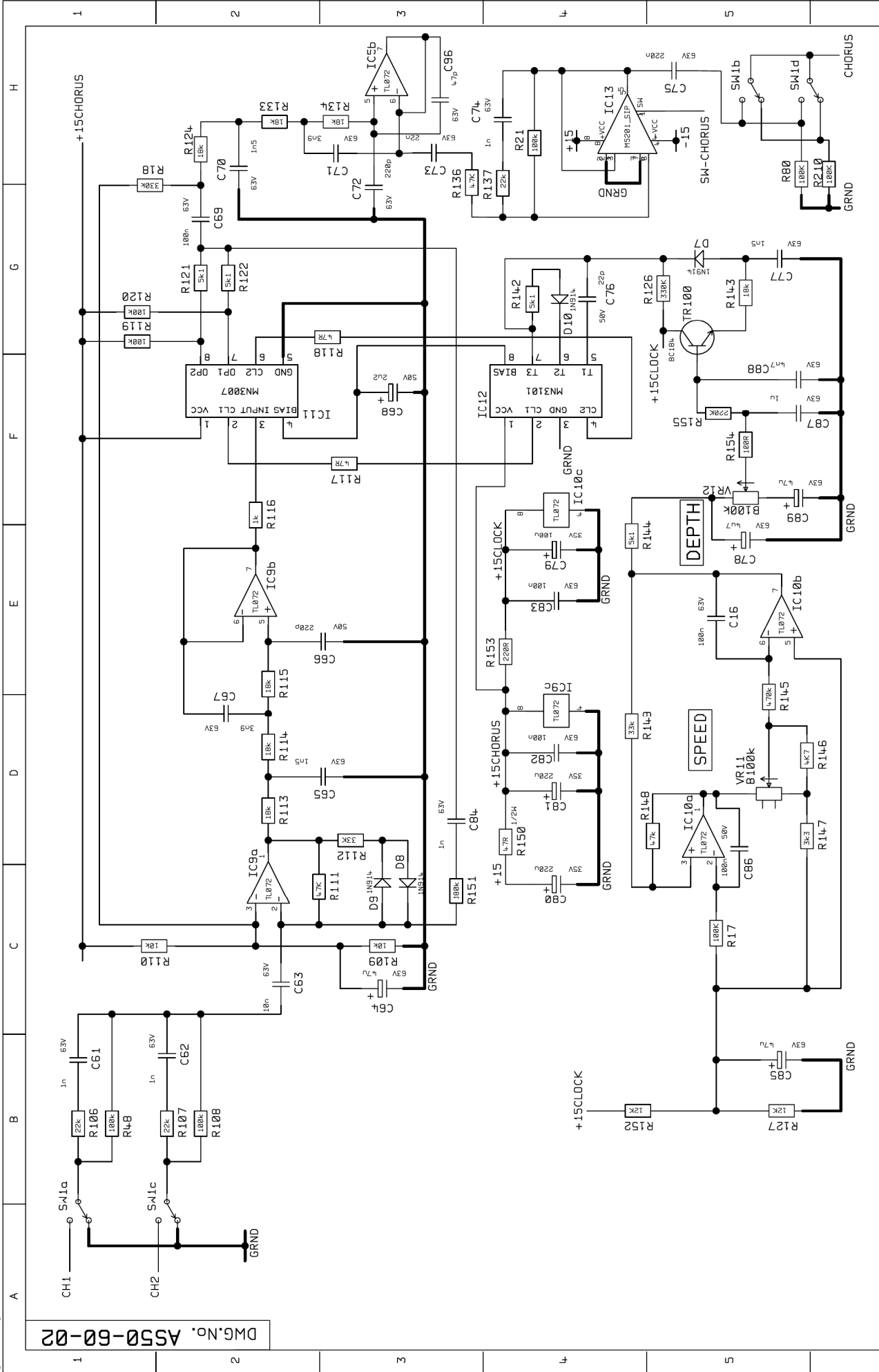


ignorelayers 4

ALL OTHER HOLES =				DIMENSIONS IN					
A	B	C	D	E	F	G	H	TITLE PREAMP INSTRUMENT CH1	sht 1 of 6
3	cap c23 added sht2	9-12-99		18/5/98				AS50R	DIAG.No AS50-60-02
2	VR1 now tandem	9-11-99							
ISS	ECD NUMBER	DATE							ISS 3



© MARSHALL APPLICATION PAC
 DEBEN ROAD, BLETCHLEY, MILTON KEYNES, MK1 1DL
 TEL: 01298 379511 FAX: 01298 379510



DMG.No. AS50-60-02

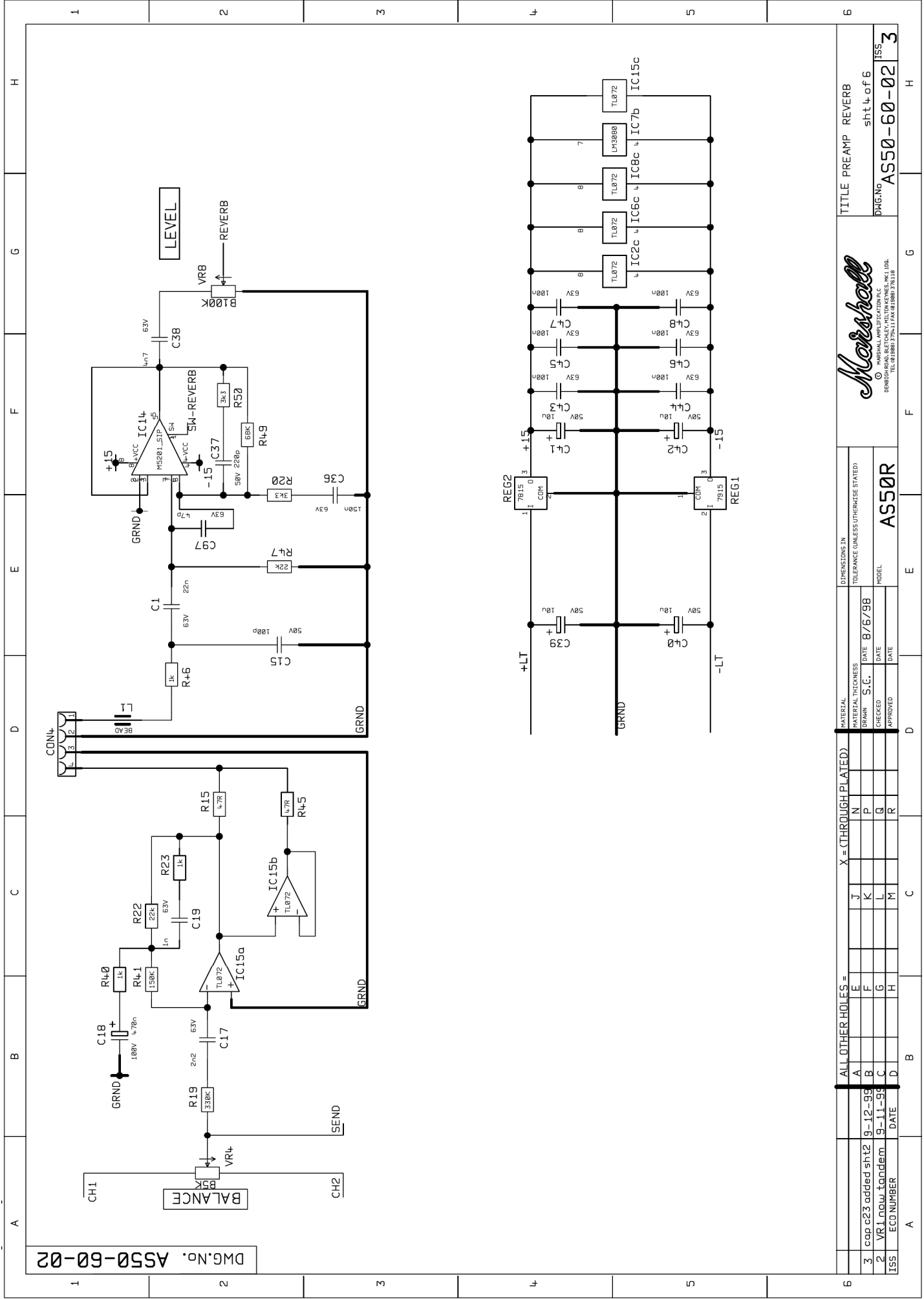
ALL OTHER HOLES =		DIMENSIONS IN	
MATERIAL THICKNESS		TOLERANCE (UNLESS OTHERWISE STATED)	
DRAWN	S.G.	DATE	8/6/98
3	cap e23 added sht2	CHECKED	
2	VR Layout tandem	APPROVED	
ISS	ECD NUMBER	DATE	

AS50R

© MARSHALL APPLICATOR, INC. 1998
 DIMENSIONS IN MILLIMETERS (INCHES) IN PARENT PARENTHESIS
 TEL: 608-335-1174 FAX: 608-335-1118



TITLE PREAMP
 CHORUS sht 3 of 8
 DMG.No. AS50-60-02 ISS 3



DMG.No. AS50-60-02

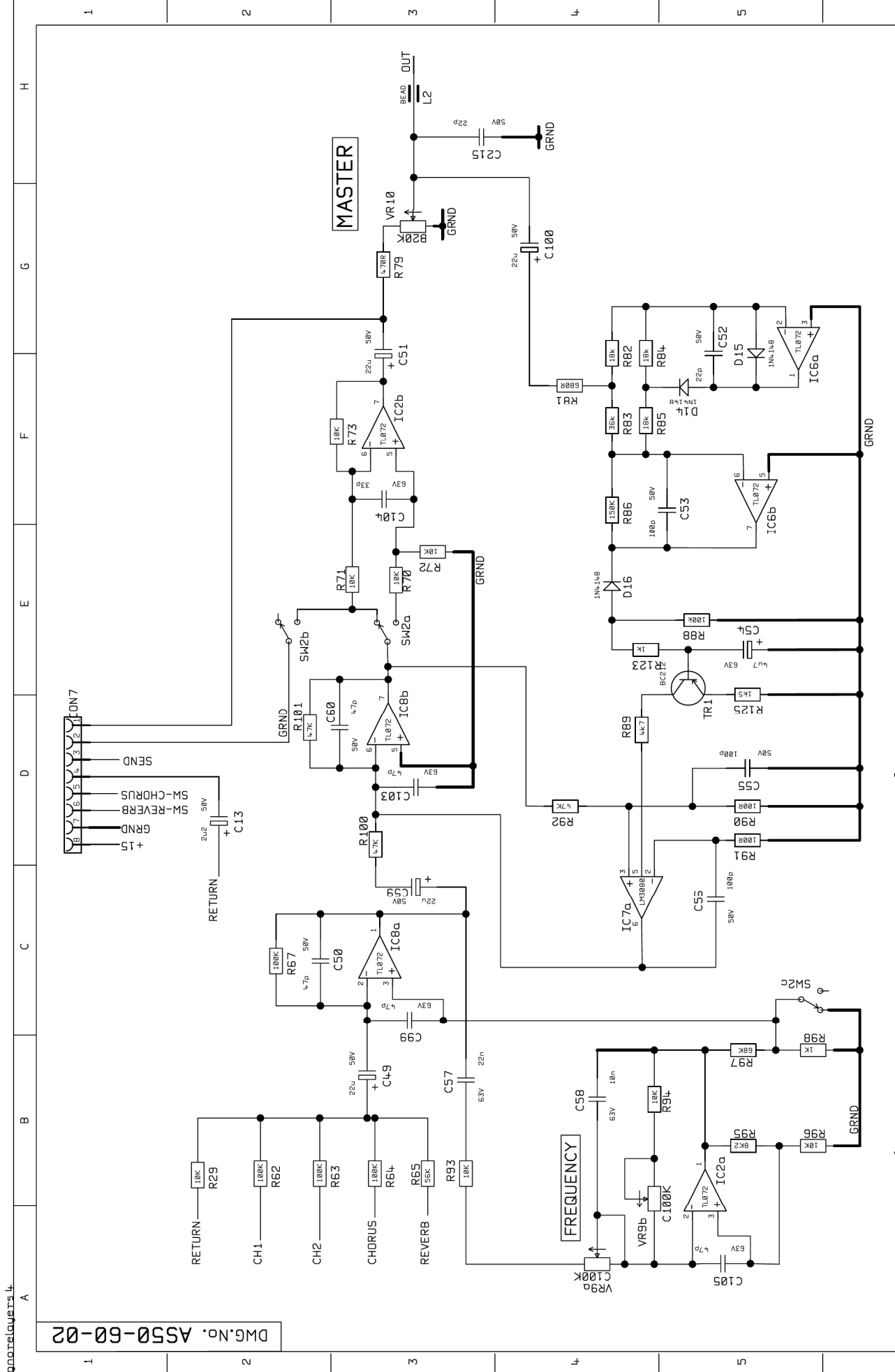
BALANCE

LEVEL

ALL OTHER HOLES =		X = (THROUGH PLATED)		DIMENSIONS IN		TOLERANCE (UNLESS OTHERWISE STATED)		TITLE PREAMP REVERB	
A	E	J	N	MATERIAL		MATERIAL THICKNESS		sheet 4 of 6	
B	F	K	P	DRAWN		S.C.		ISS	
C	G	L	Q	DATE		DATE		DMG.No. AS50-60-02	
D	H	M	R	CHECKED		APPROVED		ISS	
E				DATE		DATE		3	



© MARSHALL AMPLIFICATION PLC MK1 100
 00000000377011 FAX 01880 376118
 TEL 01880 376111

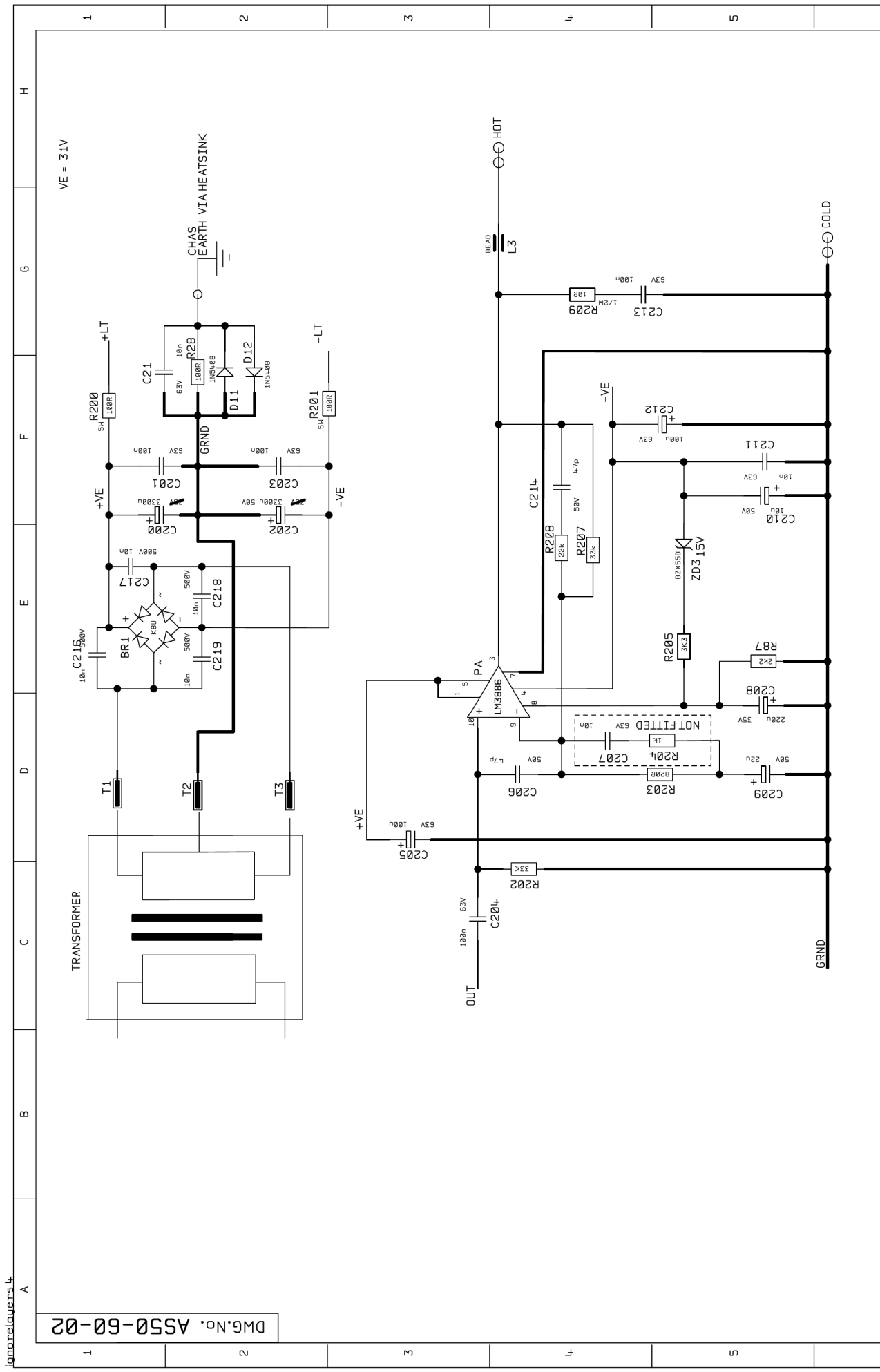


DWG. No. AS50-60-02

ALL OTHER HOLES =		X = (THROUGH PLATED)		DIMENSIONS IN		TOLERANCE (UNLESS OTHERWISE STATED)	
A	E	J	N	IN	IN	DATE	8/6/98
B	F	K	O	DATE	DATE	MODEL	AS50R
C	G	L	P	CHECKED	DATE	ISS	AS50-60-02
D	H	M	Q	APPROVED	DATE	ISS	3
E	A	N	R				
F	B	O	S				
G	C	P	T				
H	D	Q	U				



MARSHALL AMPLIFICATION P.L.C.
 BENDISYD, TRAFALGAR SQUARE, LONDON, U.K.
 TEL: 01 437 2511 FAX: 01 437 2518



DWG. No. AS50-60-02

ALL OTHER HOLES =									
A	B	C	D	E	F	G	H	J	K
3	cap c23 added sht2	9-12-99	N						
2	VR1 now tandem	9-11-99	Q						
ISS	ECO NUMBER	DATE	R						
DIMENSIONS IN TOLERANCE UNLESS OTHERWISE STATED:									
AS50R									
MARSHALL									
MARSHALL ELECTRONICS P.L.C. GENERAL SERVICES DIVISION TEL: 01889 37411 FAX: 01889 37419									
TITLE POWER AMP & POWER SUPPLY sht 6 of 6									
DWG. NO. AS50-60-02 ISS 3									