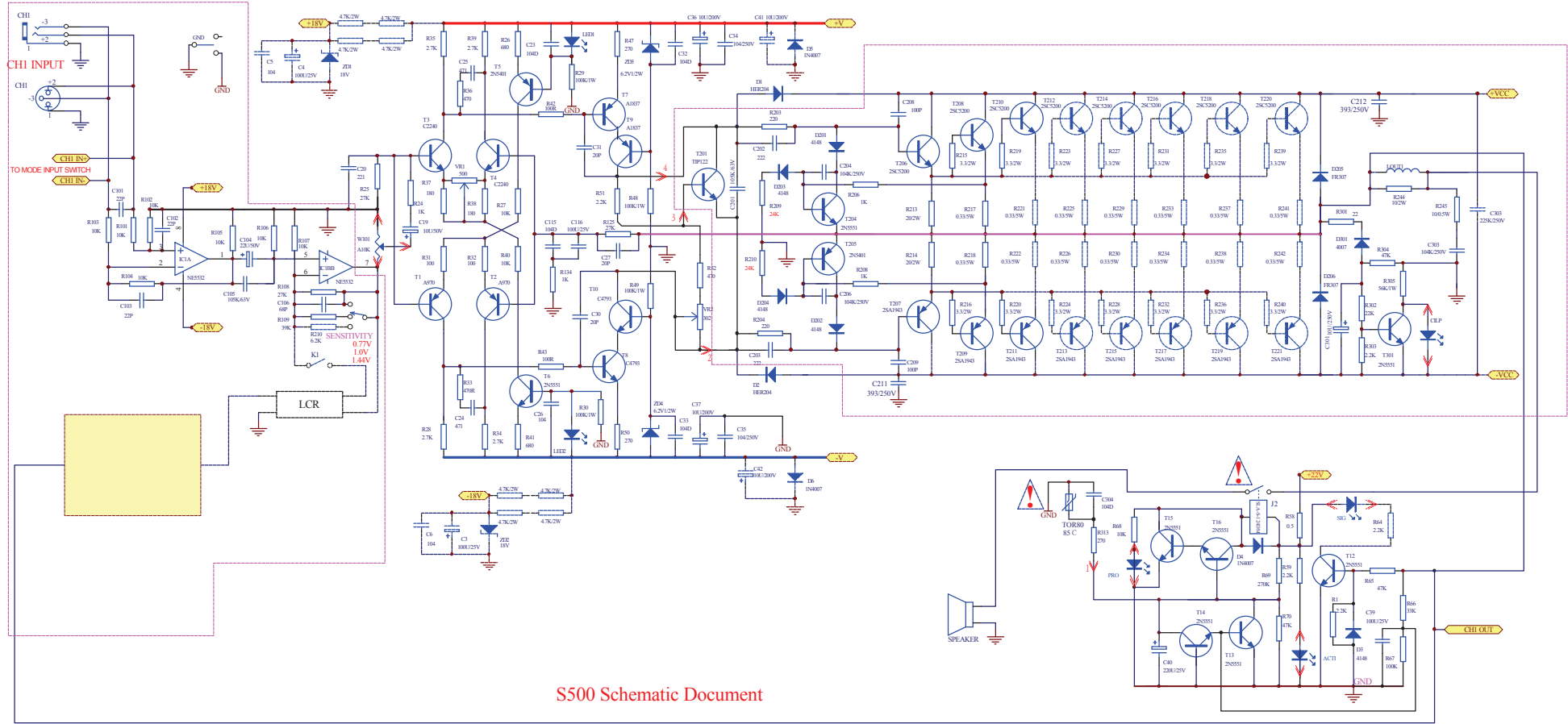
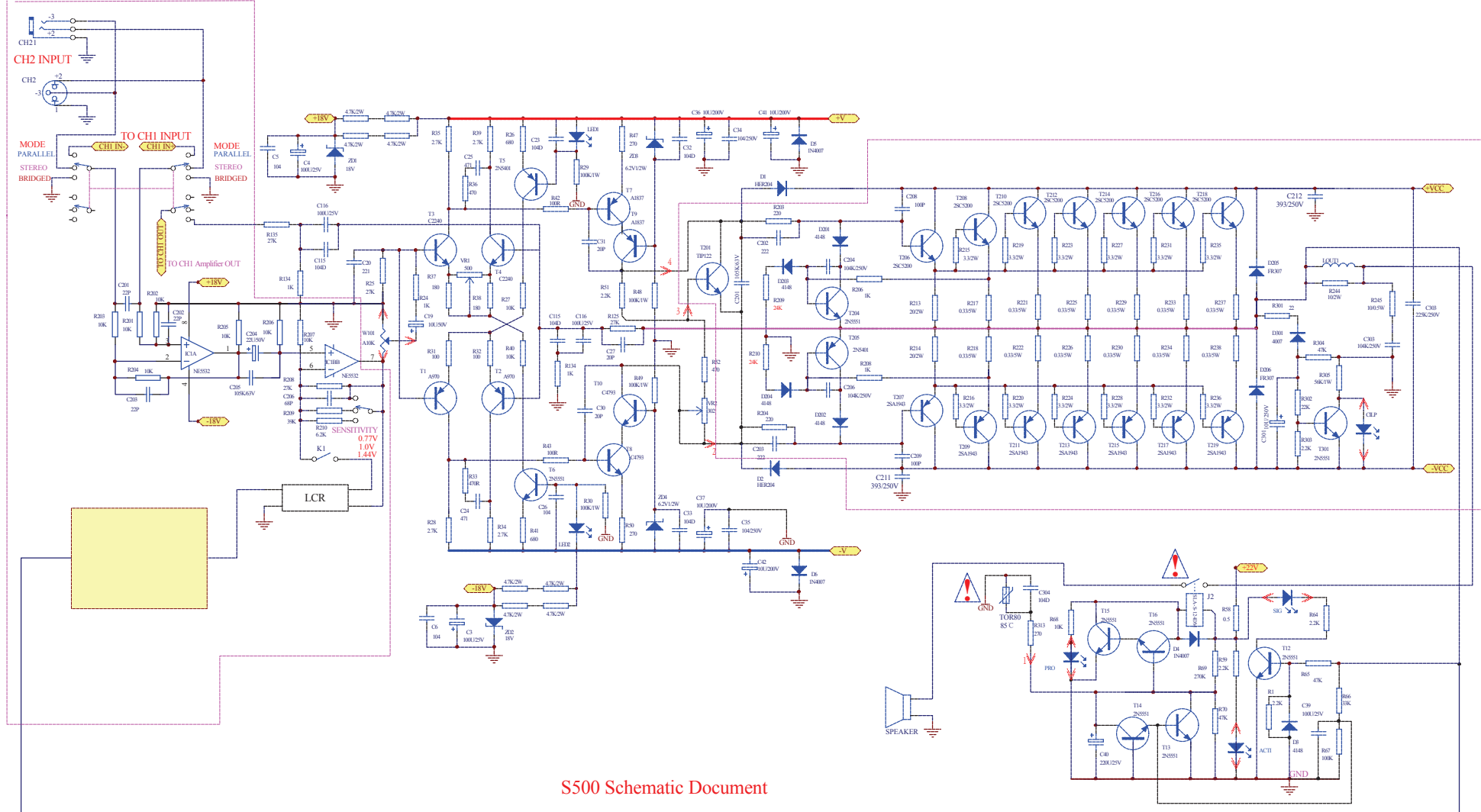


CH1 Power Amplifier

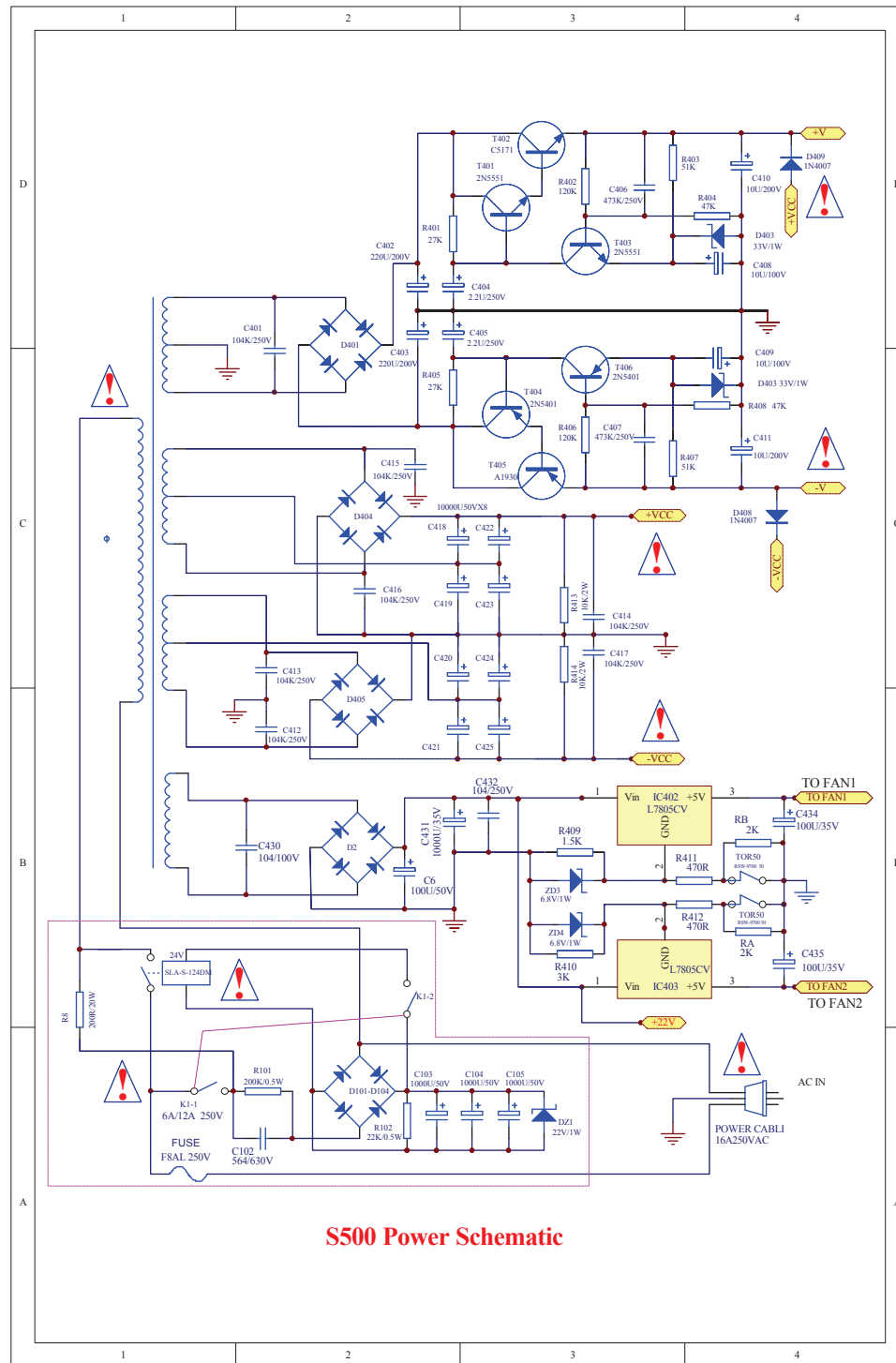


S500 Schematic Document

CH2 Power Amplifier



S500 Schematic Document



S500 Power Schematic