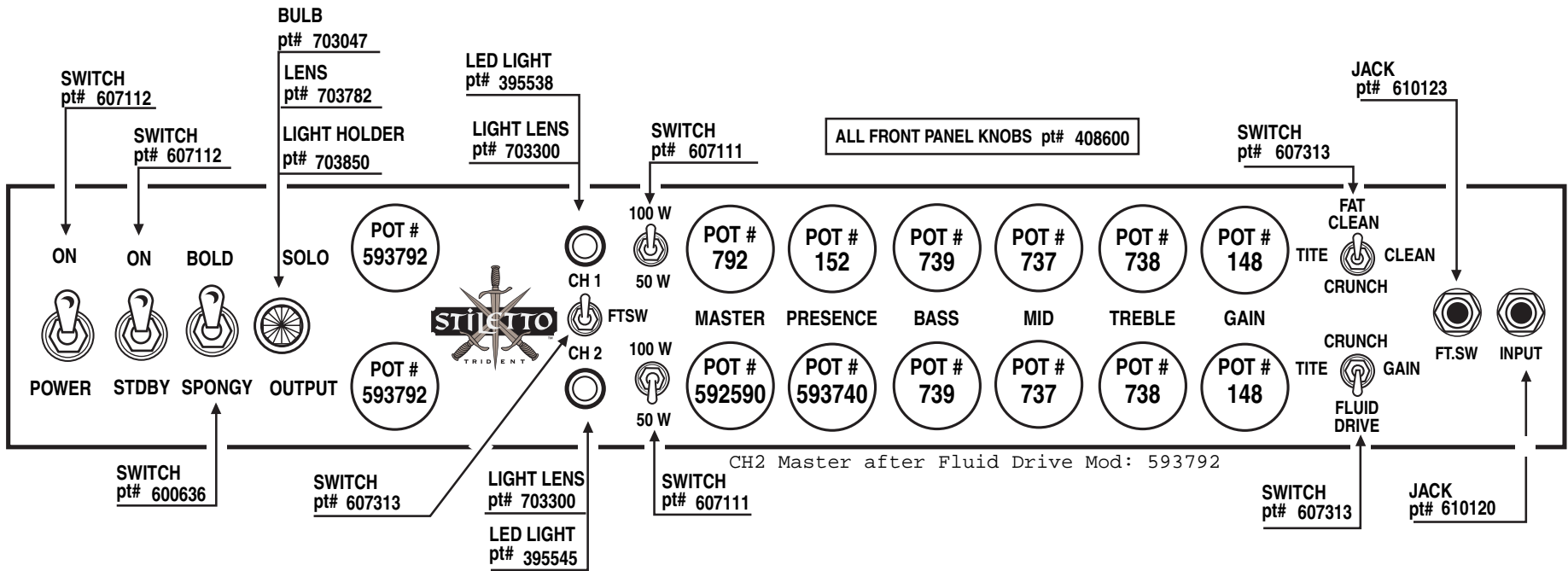
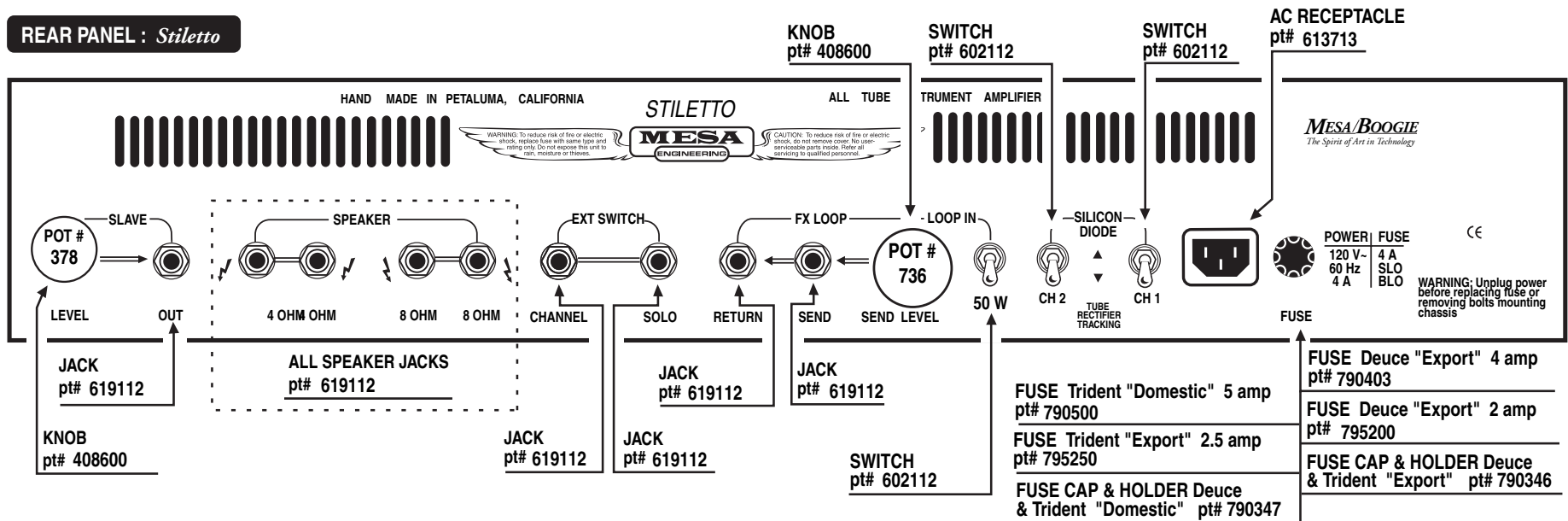


**FRONT PANEL : *Stiletto***



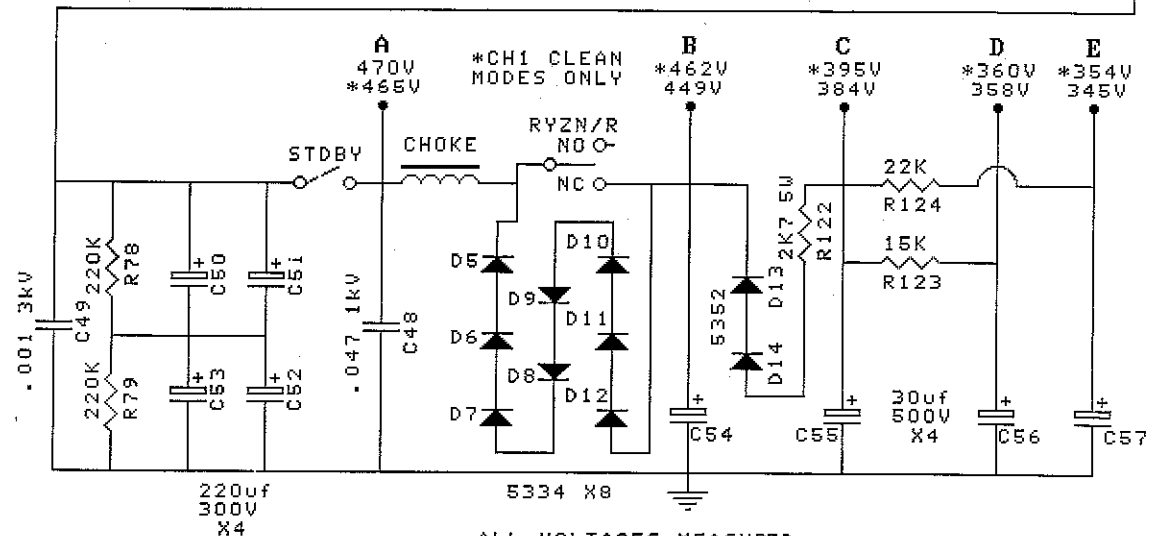
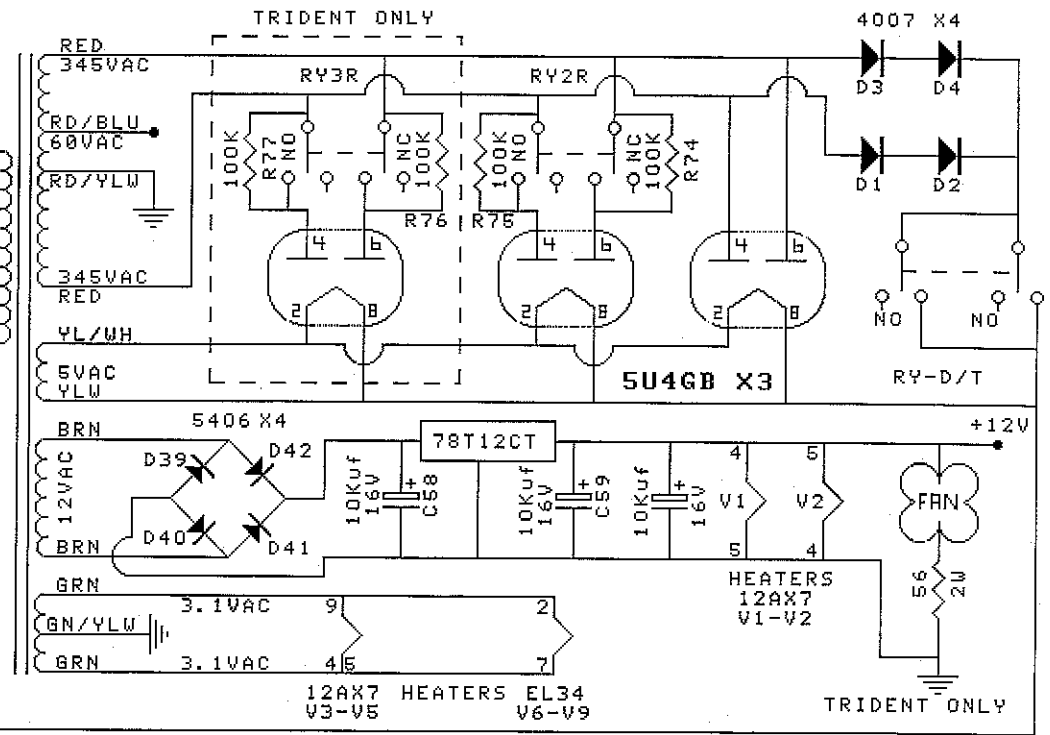
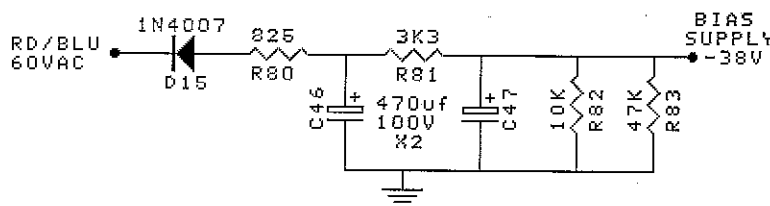
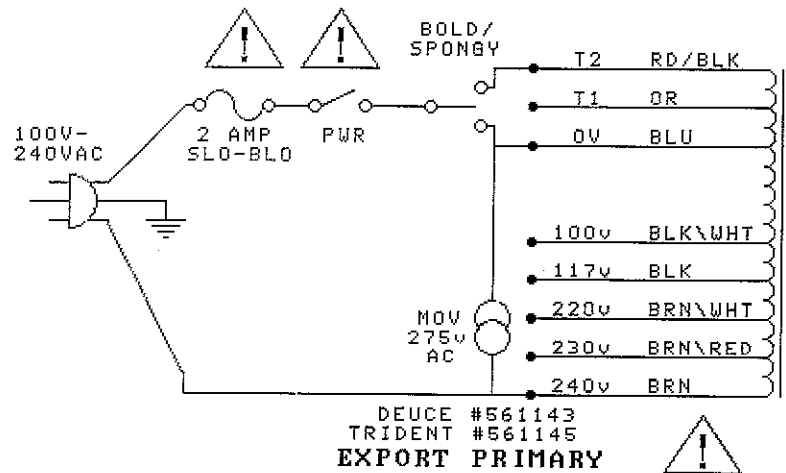
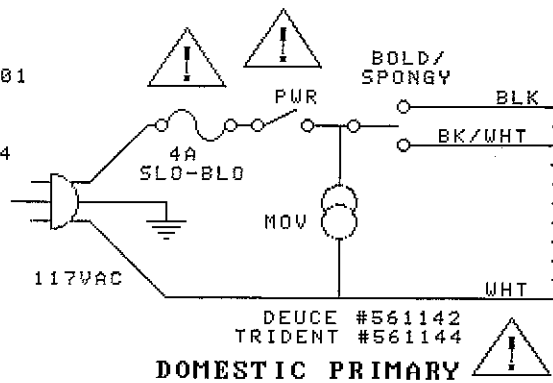
**REAR PANEL : *Stiletto***



# MESA/BOOGIE STILETTO POWER SUPPLY

FILE: STILSUP.S01  
DATE: 8/10/2004  
DRAWN BY: JOHN M  
PAGE: 1 OF 7  
BOARD REV: STILETTO 4

COVERED UNDER ONE  
OR MORE OF THE  
FOLLOWING PATENTS:  
4,211,893; 4,532,476;  
4,593,251; 4,701,957;  
4,713,624; 5,091,700;  
5,168,438; 5,208,548;  
5,559,469; 6,522,752;  
6,621,987; 6,724,897

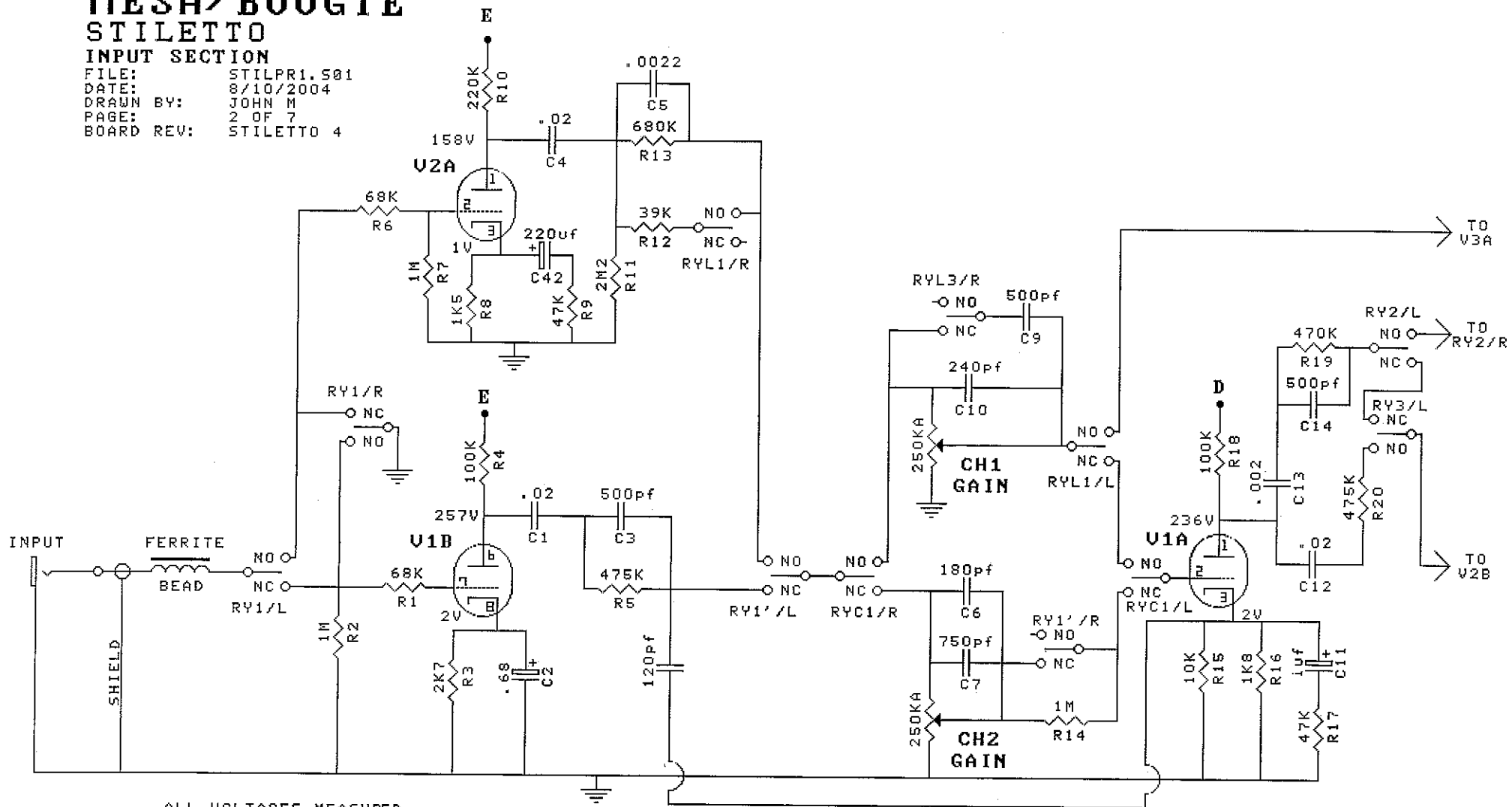


ALL VOLTAGES MEASURED  
IN CH2 CRUNCH MODE

# MESA/BOOGIE STILETTO

## INPUT SECTION

FILE: STILPR1.501  
 DATE: 8/10/2004  
 DRAWN BY: JOHN M  
 PAGE: 2 OF 7  
 BOARD REV: STILETTO 4

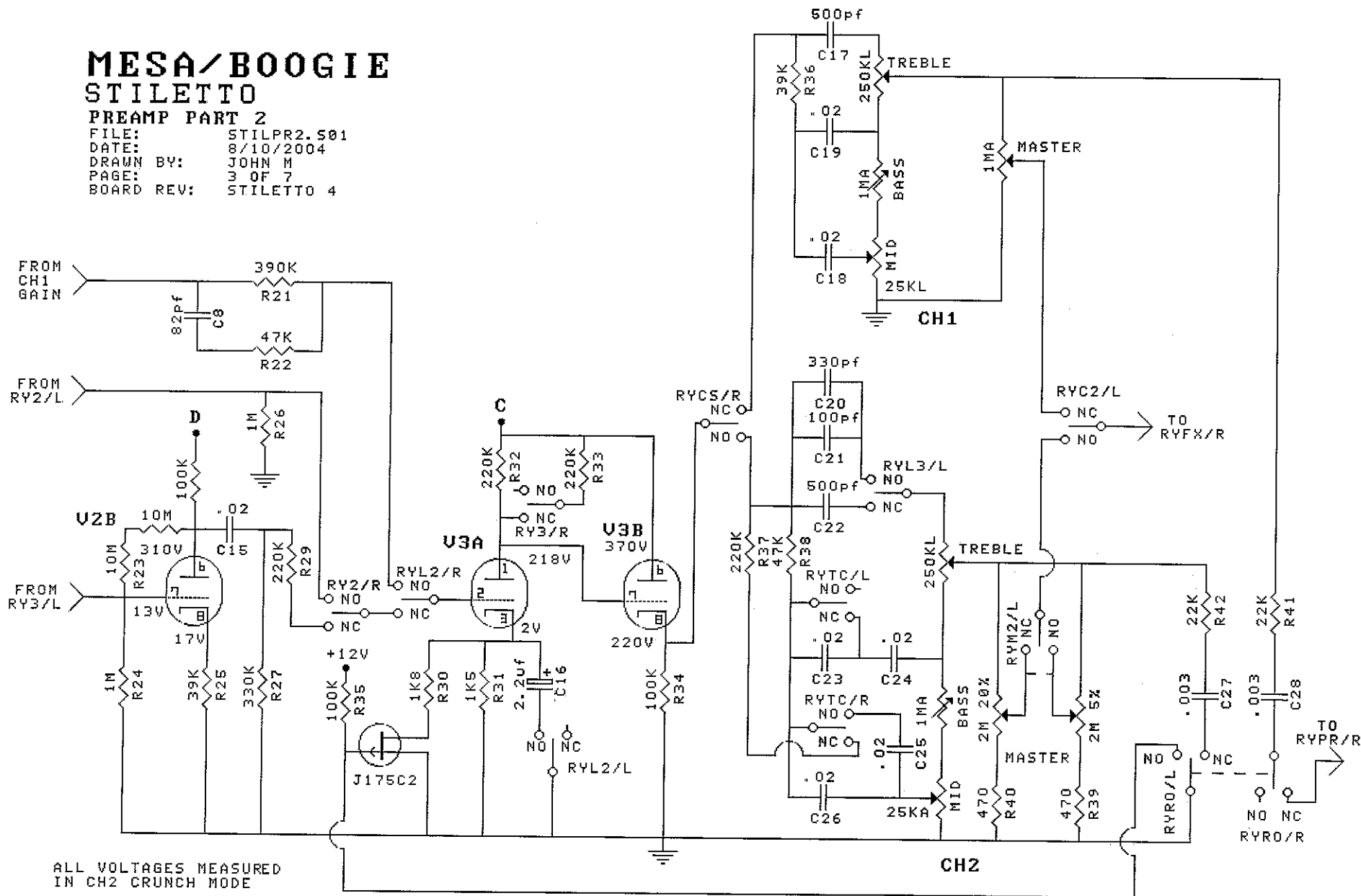


ALL VOLTAGES MEASURED  
 IN CH2 CRUNCH MODE

# MESA/BOOGIE STILETTO

## PREAMP PART 2

FILE: STILPR2.501  
 DATE: 8/10/2004  
 DRAWN BY: JOHN M  
 PAGE: 3 OF 7  
 BOARD REV: STILETTO 4

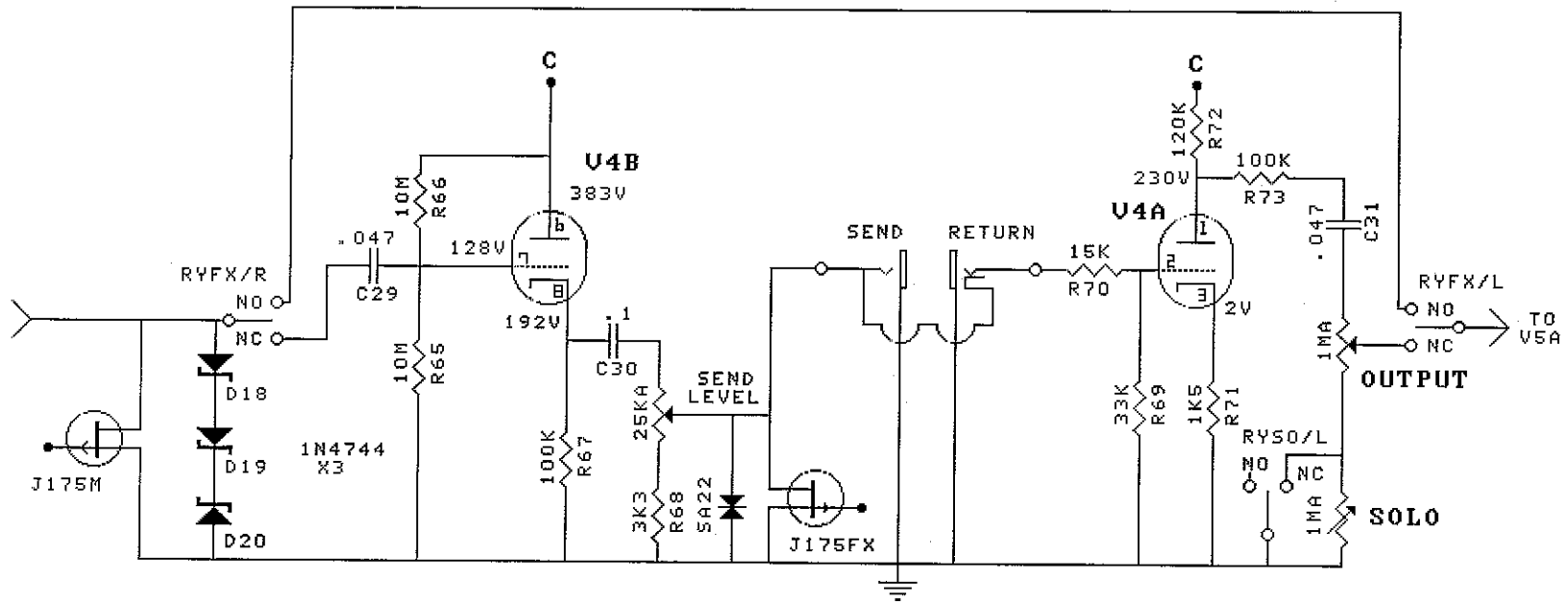


ALL VOLTAGES MEASURED  
 IN CH2 CRUNCH MODE

# MESA/BOOGIE STILETTO

## EFFECTS LOOP

FILE: STILLP.501  
 DATE: 8/10/2004  
 DRAWN BY: JOHN M  
 PAGE: 4 OF 7  
 BOARD REV: STILETTO 4



ALL VOLTAGES MEASURED  
 IN CH2 CRUNCH MODE

FX LOOP



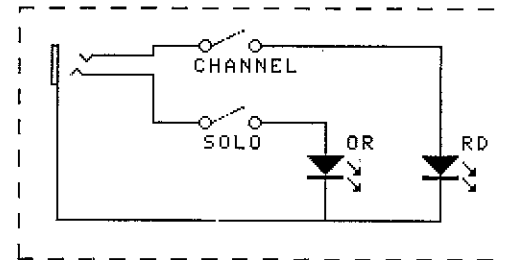




# MESA/BOOGIE STILETTO

## SWITCH MATRIX PT2

FILE: STILSU1.501  
 DATE: 8/10/2004  
 DRAWN BY: JOHN M  
 PAGE: 7 OF 7  
 BOARD REV: STILETTO 4



FOOTSWITCH

