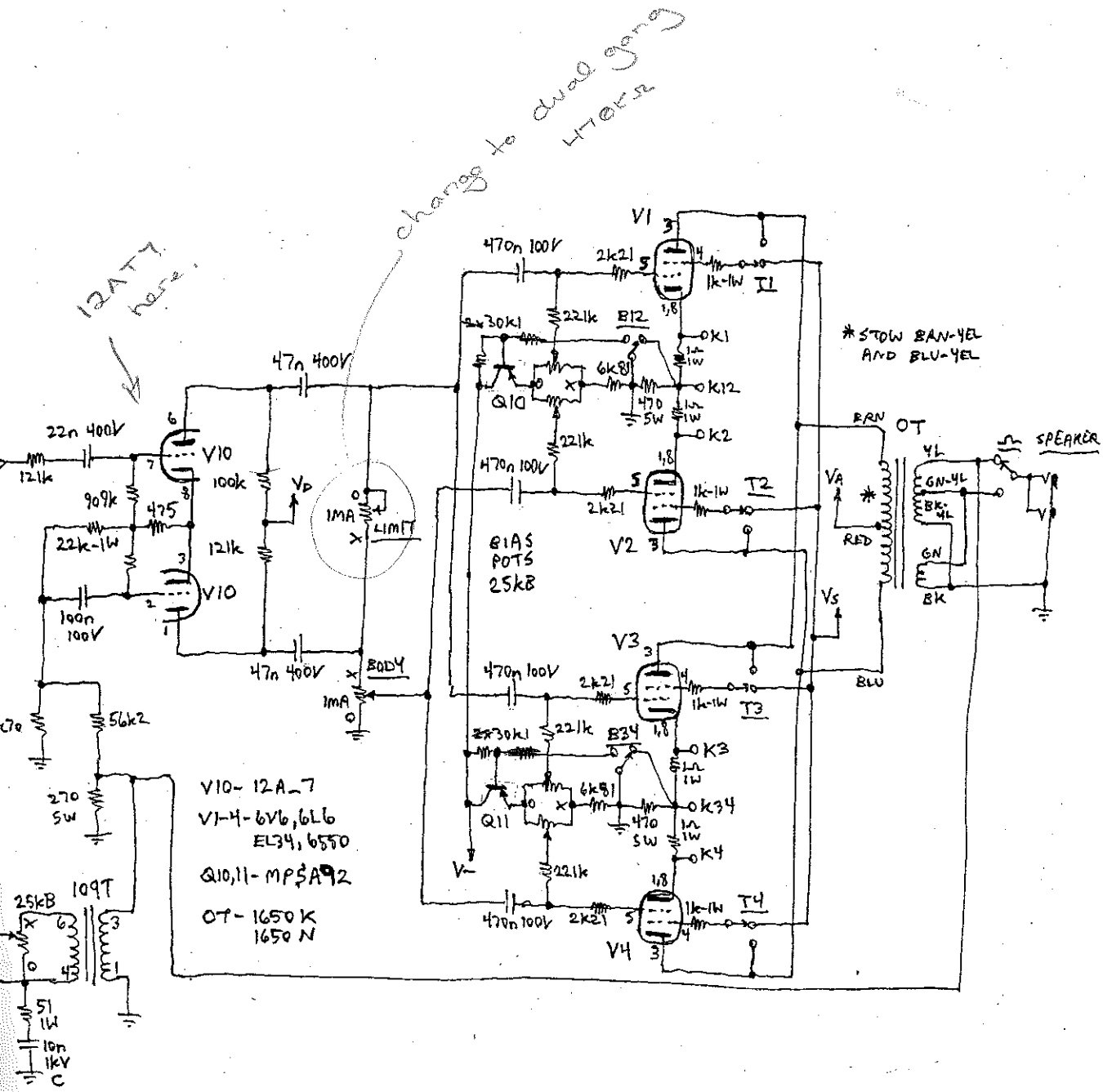


STANDARD



9-4: Power amp & line-out schematic

370FX

6.3 @ 5A

5V @ 3A

550V CT @ 150mA STANDARD  
DC rated.

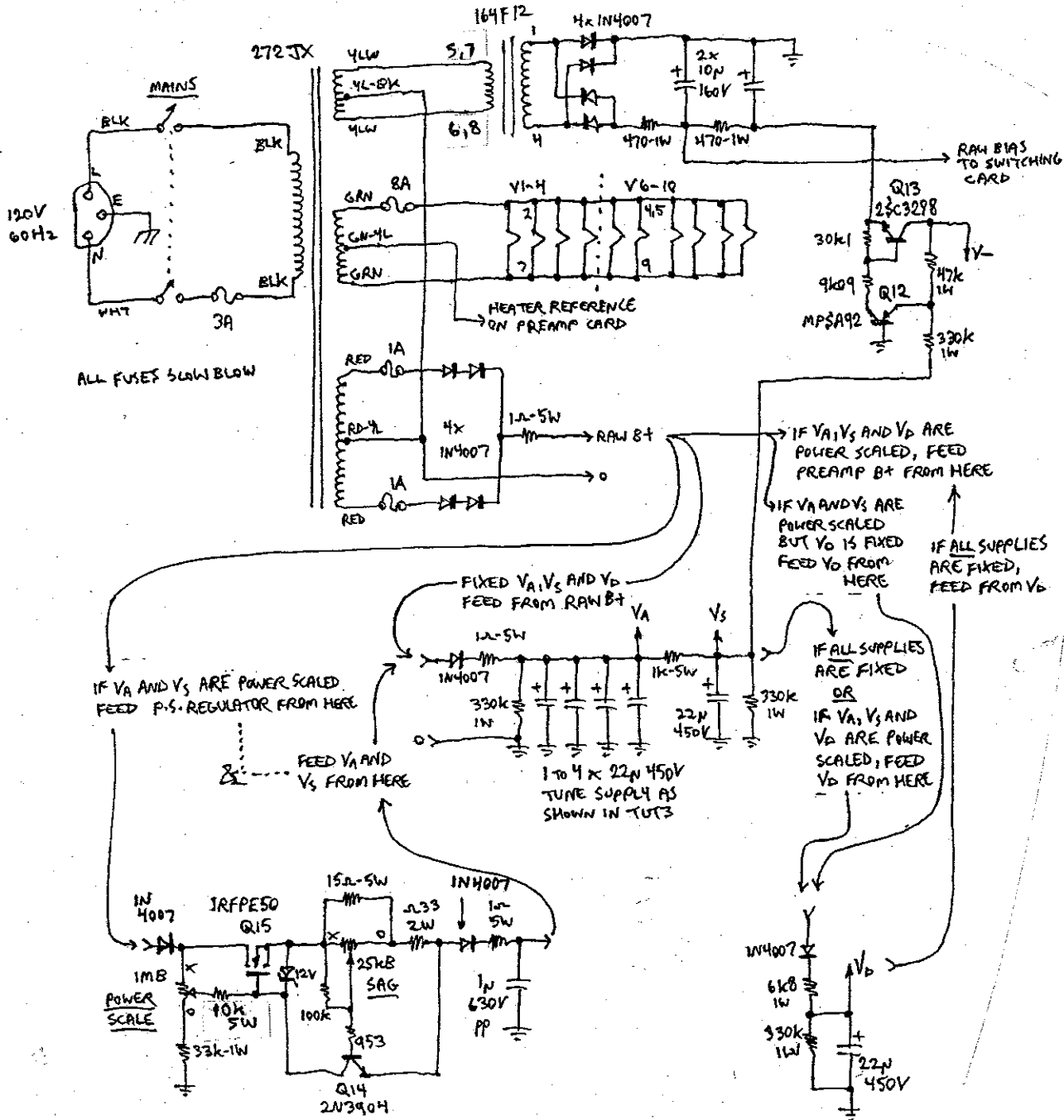


Fig. 9-5: Power supply schematic