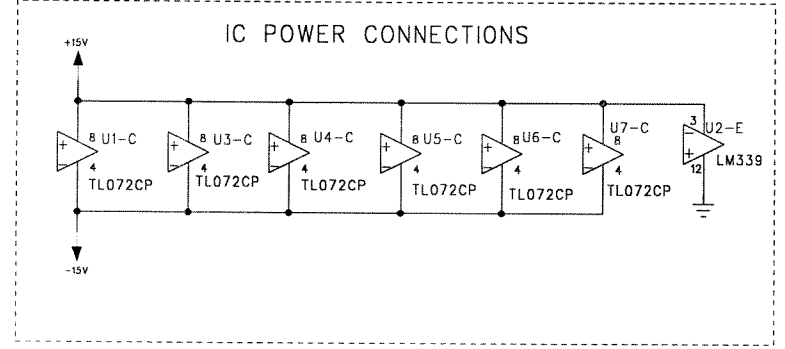
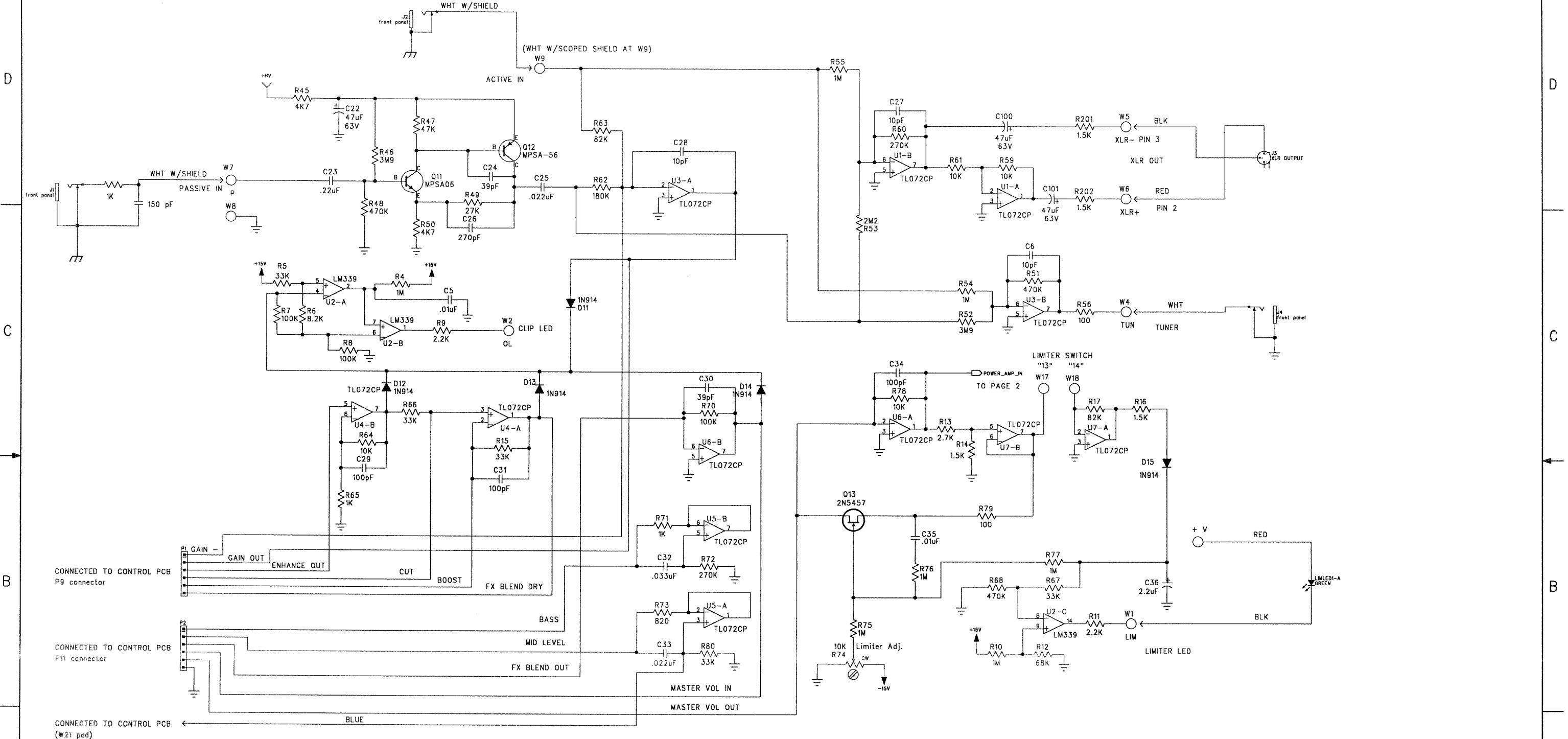


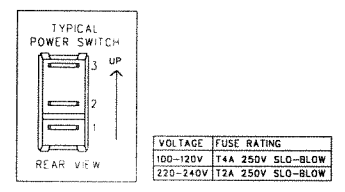
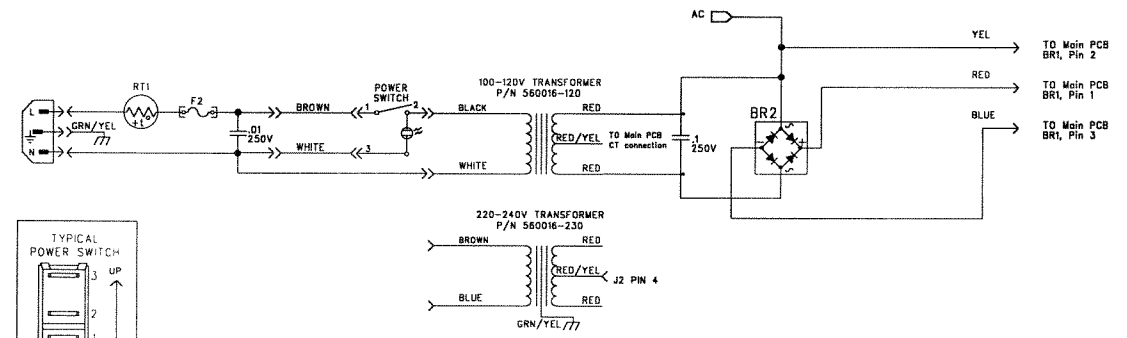
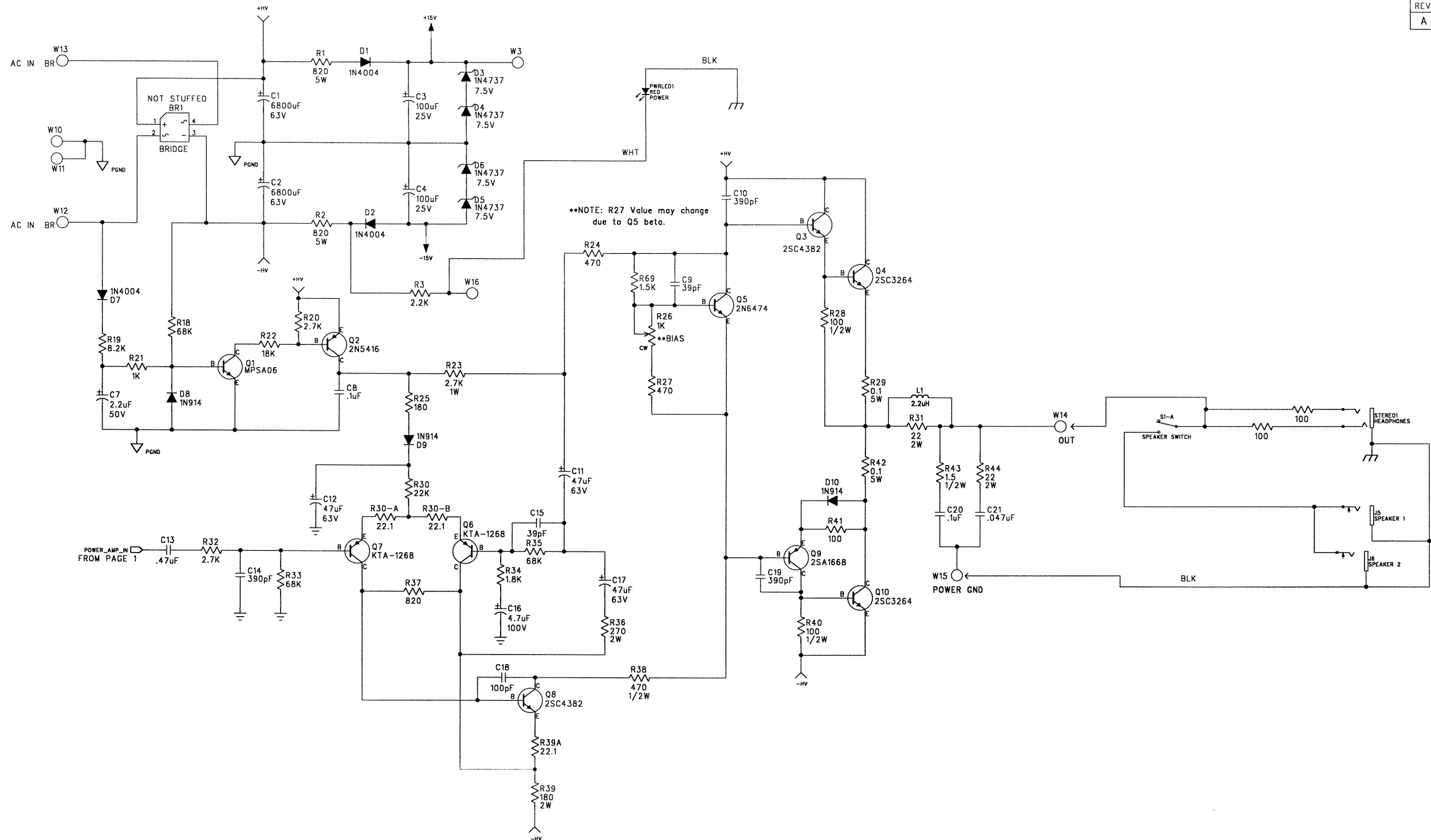
REVISIONS			
REV.	DESCRIPTION	DATE	APPROVED
A	PR608	18-JUL-03	M.M.L.



- NOTES: (UNLESS OTHERWISE NOTED)
- REFERENCE DESIGNATORS STARTING WITH "W" INDICATE PADS FOR WIRES THAT ARE SOLDERED TO THE PCB
 - ALL DIODES ARE 1N4148.
 - ALL POLARIZED CAPACITORS IN μ F, 20% 50V MINIMUM. (POWER SUPPLY BYPASS CAPACITORS ARE 20%).
 - ALL UNPOLARIZED CAPACITORS IN μ F, 10% OR BETTER, 50V MINIMUM.
 - ALL RESISTORS IN OHMS, 5% 1/4W.

THIS DOCUMENT CONTAINS INFORMATION OF A PROPRIETARY NATURE TO FENDER MUSICAL INSTRUMENTS AND IS SUBMITTED TO YOU IN CONFIDENCE AND SHALL NOT BE DISCLOSED OR TRANSMITTED TO OTHERS WITHOUT AUTHORIZATION FROM FENDER MUSICAL INSTRUMENTS.		MUSICAL INSTRUMENTS Corona, CA U.S.A.	
CHECKED BY:	DATE:	TITLE: SERVICE DIAGRAM, COMBINED (schematic) SWR WorkingMan's 2004 PRE AMP PCB	
APPROVED BY: <i>M. Lesko</i>	DATE: 7-21-03	SIZE: D	DRAWING NUMBER: 0063765000
DRAWN: M. Lesko	ENGR: M. Lesko	REV.:	A
DATABASE FILE: 2004_PRE.SCH		RELEASE DATE: 18-JUL-03	SHEET: 1 OF 3

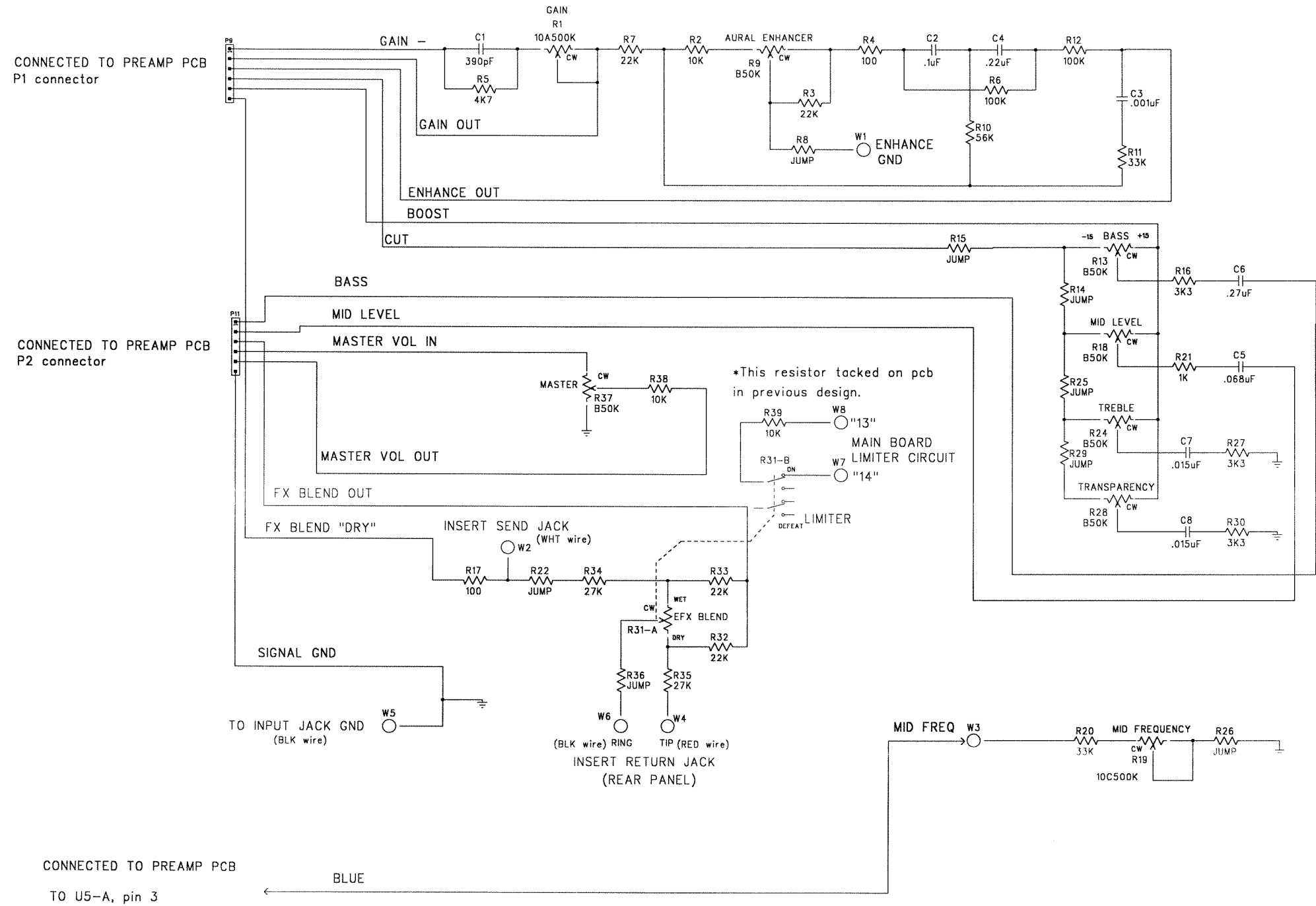
REVISIONS			
REV.	DESCRIPTION	DATE	APPROVED
A	PR608	7-JUL-03	M.M.L.



- REFERENCE DESIGNATORS STARTING WITH "W" INDICATE PADS FOR WIRES THAT ARE SOLDERED TO THE PCB
 - ALL DIODES ARE 1N4448.
 - ALL POLARIZED CAPACITORS IN µF, 20% 50V MINIMUM.
 - ALL UNPOLARIZED CAPACITORS IN µF, 10% OR BETTER, 50V MINIMUM. (POWER SUPPLY BYPASS CAPACITORS ARE 20%).
 - ALL RESISTORS IN OHMS, 5%, 1/4W.
- NOTES: (UNLESS OTHERWISE NOTED)

THIS DOCUMENT CONTAINS INFORMATION OF A PROPRIETARY NATURE TO FENDER MUSICAL INSTRUMENTS AND IS SUBMITTED TO YOU IN CONFIDENCE AND SHALL NOT BE DISCLOSED OR TRANSMITTED TO OTHERS WITHOUT AUTHORIZATION FROM FENDER MUSICAL INSTRUMENTS.		MUSICAL INSTRUMENTS Corona, CA U.S.A.	
CHECKED BY: _____	DATE: _____	TITLE: SERVICE DIAGRAM, COMBINED (schematic) SWR WorkingMan's 2004 Power Amp and Power Supply	
APPROVED BY: <i>S. Boudreau</i>	DATE: <i>7-21-03</i>	SIZE: D	DRAWING NUMBER: 0063765000
DRAWN: M. Lesko	ENGR: M. Lesko	REV: A	RELEASE DATE: 7-18-03 SHEET: 2 OF 3
DATABASE FILE: 2004_PRE.SCH			

REVISIONS			
REV.	DESCRIPTION	DATE	APPROVED
A	PR608	18-JUL-03	M.M.L.



5. REFERENCE DESIGNATORS STARTING WITH "W" INDICATE PADS FOR WIRES THAT ARE SOLDERED TO THE PCB
 4. ALL DIODES ARE 1N4448B.
 3. ALL POLARIZED CAPACITORS IN uF, 20V; 50V MINIMUM.
 2. ALL UNPOLARIZED CAPACITORS IN uF, 10X OR BETTER; 50V MINIMUM. (POWER SUPPLY BYPASS CAPACITORS ARE 20X)
 1. ALL RESISTORS IN OHMS, 5% 1/4W.
- NOTES: (UNLESS OTHERWISE NOTED)

THIS DOCUMENT CONTAINS INFORMATION OF A PROPRIETARY NATURE TO FENDER MUSICAL INSTRUMENTS AND IS SUBMITTED TO YOU IN CONFIDENCE AND SHALL NOT BE DISCLOSED OR TRANSMITTED TO OTHERS WITHOUT AUTHORIZATION FROM FENDER MUSICAL INSTRUMENTS.

Fender MUSICAL INSTRUMENTS
Corona, CA U.S.A.

CHECKED BY: _____
 DATE: _____
 APPROVED BY: *S. Bantle*
 DATE: *7-21-03*

DRAWN: M. Lesko ENGR: M. Lesko
 DATABASE FILE: 2004_Ctrl.SCH

TITLE: SERVICE DIAGRAM, COMBINED (schematic)
 SWR WorkinMan's 2004
 Front Panel Control PCB

SIZE: **D** DRAWING NUMBER: **0063765000** REV: **A**
 RELEASE DATE: 18-JUL-03 SHEET: 3 OF 3