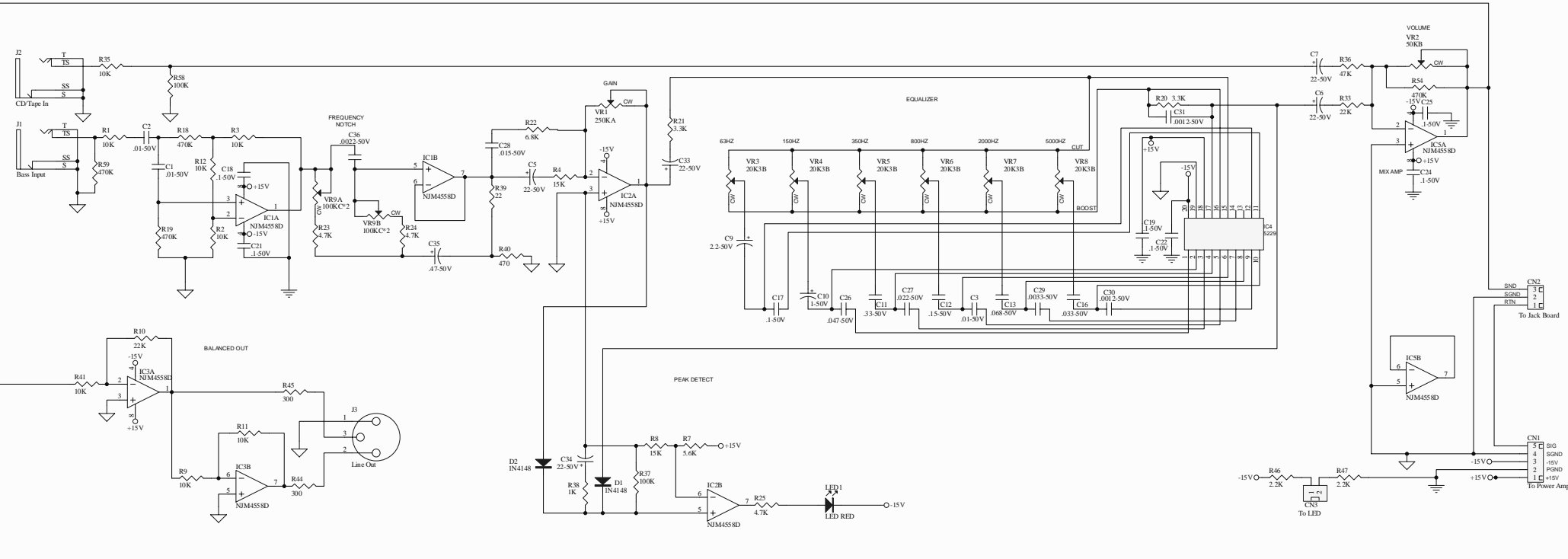


08-JAN-2007
Kustom Music

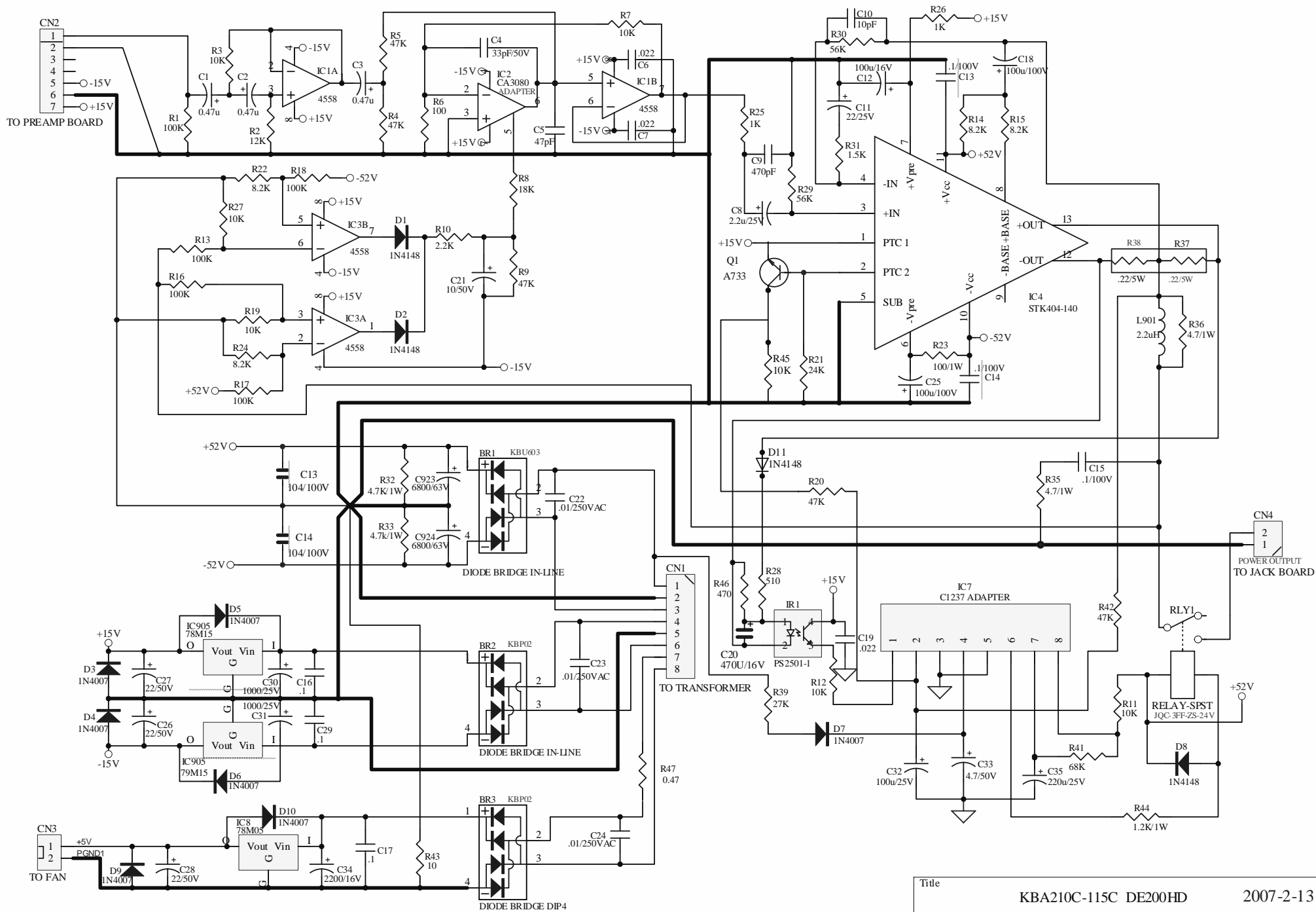
KBA115C / KBA210C

Schematic, PCB layouts, Bill of materials

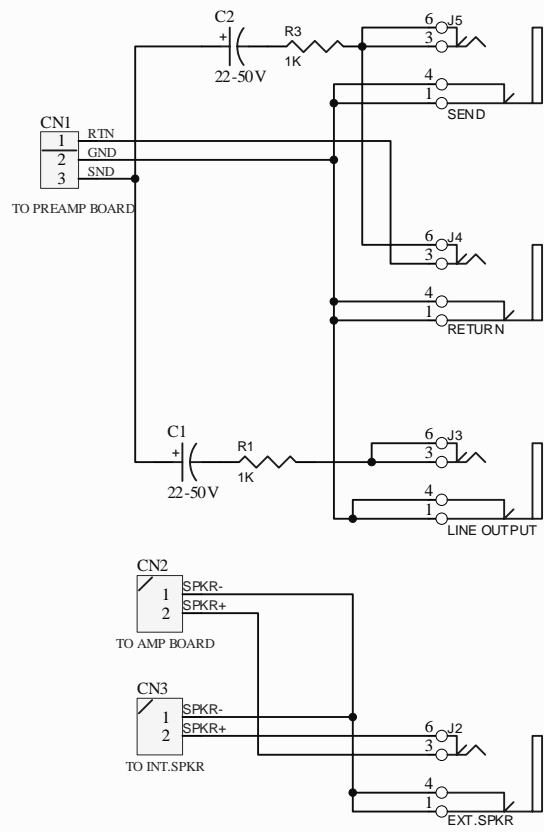




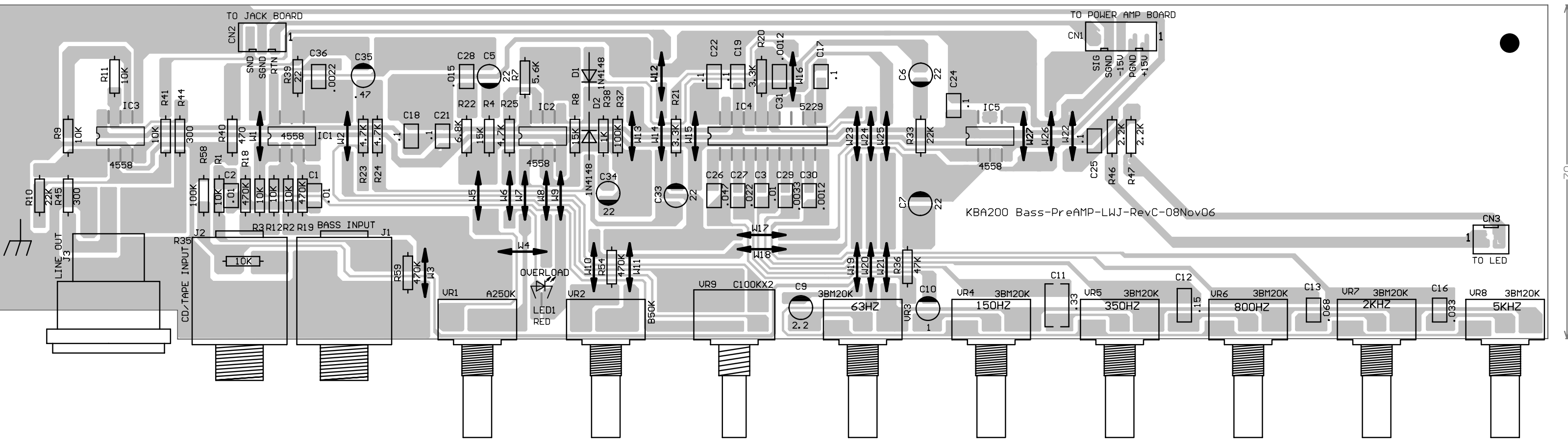
DE200HDPreamp RevC



Title		KBA210C-115C DE200HD	2007-2-13
Size	Number	Revision	
B			
Date:	3/8/2007	Sheet of	
File:	W:\Kustomeng\KBA210C-115C DE200HD\powerBschDoc		

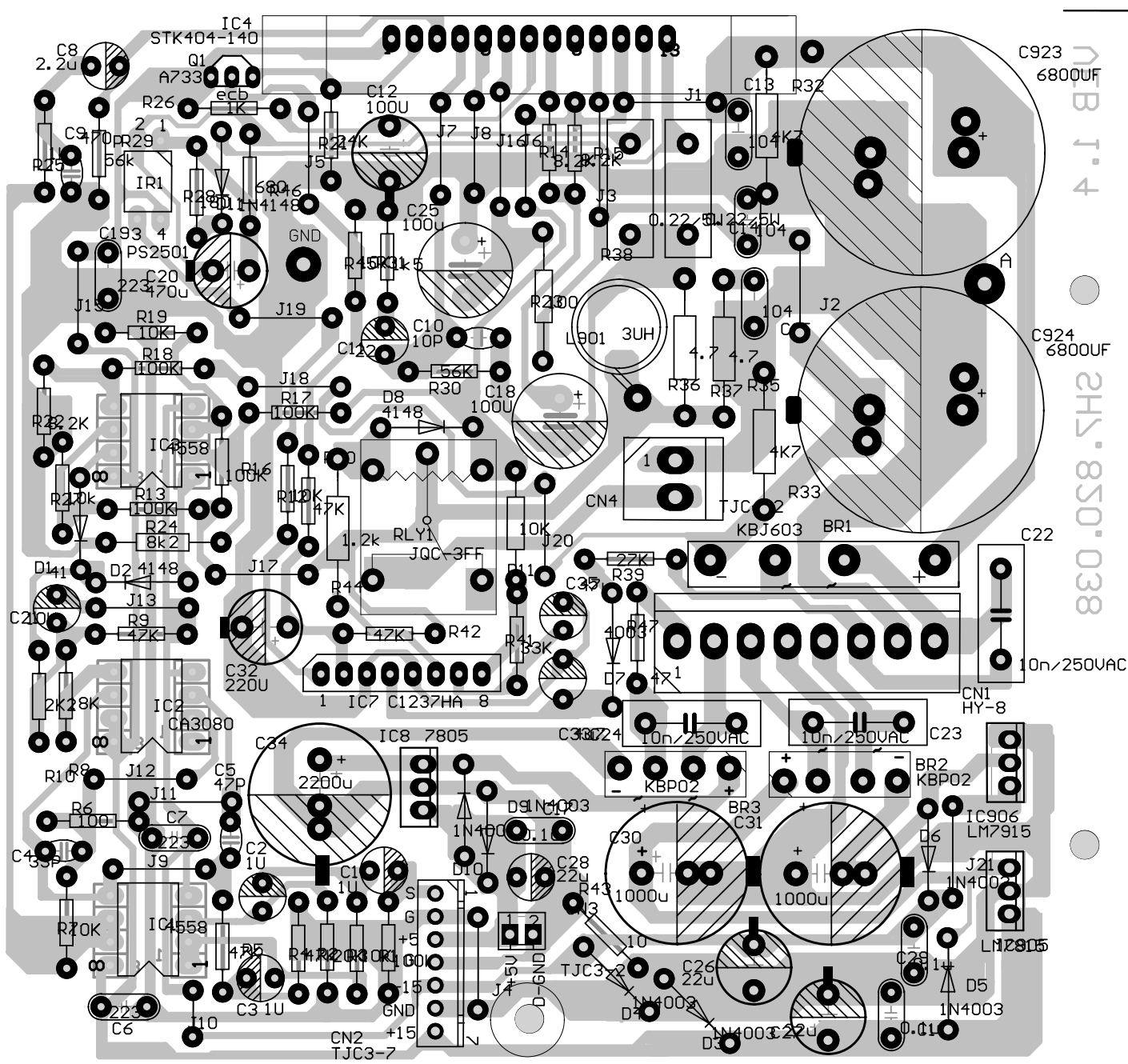


Title			KBA210C-115C		
Size	Number				Revision
Letter					
Date:	3/8/2007		Sheet of		
File:	W:\Kustomeng\KBA210-115 JACK 29S				DocSheet



70

2003.2.8
KPM7250-POWER-PCB



KPM7250-POWER PCB
VER 1.4
2003.5.9

Preamp

Designator	VALUE	Description
C1	0.01uF	CAPACITOR
C2	0.01uF	CAPACITOR
C3	0.01uF	CAPACITOR
C5	22uF	CAPACITOR
C6	22uF	CAPACITOR
C7	22uF	CAPACITOR
C9	2.2uF	CAPACITOR
C10	1uF	CAPACITOR
C11	0.33uF	CAPACITOR
C12	0.15uF	CAPACITOR
C13	0.068uF	CAPACITOR
C16	0.033uF	CAPACITOR
C17	0.1uF	CAPACITOR
C18	0.1uF	CAPACITOR
C19	0.1uF	CAPACITOR
C21	0.1uF	CAPACITOR
C22	0.1uF	CAPACITOR
C24	0.1uF	CAPACITOR
C25	0.1uF	CAPACITOR
C26	0.047uF	CAPACITOR
C27	0.022uF	CAPACITOR
C28	0.01uF	CAPACITOR
C29	0.0033uF	CAPACITOR
C30	0.0012uF	CAPACITOR
C31	0.0012uF	CAPACITOR
C33	22uF	CAPACITOR
C34	22uF	CAPACITOR
C35	0.47uF	CAPACITOR
C36	0.0022uF	CAPACITOR
CN1	5 PIN	HEADER
CN2	3 PIN	HEADER
CN3	2 PIN	HEADER
D1	1N4148	DIODE
D2	1N4148	DIODE
IC1	NJM4558D	OP-AMP
IC2	NJM4558D	OP-AMP
IC3	NJM4558D	OP-AMP
IC4		GRAPHIC EQ
IC5	NJM4558D	OP-AMP
J1	JACK	JACK
J2	JACK	JACK
J3	XLR	XLR JACK
LED1	RED DIFFUSED	LED
R1	10K	RESISTOR
R2	10K	RESISTOR
R3	10K	RESISTOR
R4	22K	RESISTOR
R7	47K	RESISTOR
R8	10K	RESISTOR
R9	10K	RESISTOR
R10	22K	RESISTOR

Preamp

R11	10K	RESISTOR
R12	10K	RESISTOR
R18	470K	RESISTOR
R19	470K	RESISTOR
R20	3.3K	RESISTOR
R21	3.3K	RESISTOR
R22	10K	RESISTOR
R23	4.7K	RESISTOR
R24	4.7K	RESISTOR
R25	4.7K	RESISTOR
R33	22K	RESISTOR
R35	10K	RESISTOR
R36	47K	RESISTOR
R37	100K	RESISTOR
R38	1K	RESISTOR
R39	22	RESISTOR
R40	470	RESISTOR
R41	10K	RESISTOR
R44	300	RESISTOR
R45	300	RESISTOR
R46	2.2K	RESISTOR
R47	2.2K	RESISTOR
R54	470K	RESISTOR
R58	100K	RESISTOR
R59	470K	RESISTOR
VR1	250KA	POTENTIOMETER
VR2	50KB	POTENTIOMETER
VR3	25K3B	POTENTIOMETER
VR4	25K3B	POTENTIOMETER
VR5	25K3B	POTENTIOMETER
VR6	25K3B	POTENTIOMETER
VR7	25K3B	POTENTIOMETER
VR8	25K3B	POTENTIOMETER
VR9	100KC*2	POTENTIOMETER

Power Amp

Designator	Comment	Description
BR1	DIODE BRIDGE IN-LINE	
BR2	DIODE BRIDGE IN-LINE	
BR3	DIODE BRIDGE DIP4	
C1	0.47u	POLARIZED CAPACITOR
C2	0.47u	POLARIZED CAPACITOR
C3	0.47u	POLARIZED CAPACITOR
C4	33pF/50V	CAPACITOR
C5	47pF	CAPACITOR
C6	.022	CAPACITOR
C7	.022	CAPACITOR
C8	2.2u/25V	POLARIZED CAPACITOR
C9	470pF	CAPACITOR
C10	10pF	CAPACITOR
C11	22/25V	POLARIZED CAPACITOR
C12	100u/16V	POLARIZED CAPACITOR
C13	.1/100V	CAPACITOR
C14	.1/100V	CAPACITOR
C15	.1/100V	CAPACITOR
C16	.1	CAPACITOR
C17	.1	CAPACITOR
C18	100u/100V	POLARIZED CAPACITOR
C19	.022	CAPACITOR
C20	470U/16V	
C21	10/50V	POLARIZED CAPACITOR
C22	.01/250VAC	CAPACITOR
C23	.01/250VAC	CAPACITOR
C24	.01/250VAC	CAPACITOR
C25	100u/100V	POLARIZED CAPACITOR
C26	22/50V	POLARIZED CAPACITOR
C27	22/50V	POLARIZED CAPACITOR
C28	22/50V	POLARIZED CAPACITOR
C29	.1	CAPACITOR
C30	1000/25V	POLARIZED CAPACITOR
C31	1000/25V	POLARIZED CAPACITOR
C32	100u/25V	POLARIZED CAPACITOR
C33	4.7/50V	POLARIZED CAPACITOR
C34	2200/16V	POLARIZED CAPACITOR
C35	220u/25V	POLARIZED CAPACITOR
C923	6800/63V	POLARIZED CAPACITOR
C924	6800/63V	POLARIZED CAPACITOR
CN1	TO TRANSFORMER	HEADER
CN2	TO PREAMP BOARD	HEADER
CN3	TO FAN	HEADER
CN4	TO JACK BOARD	HEADER
D1	1N4148	500mA DIODE
D2	1N4148	500mA DIODE
D3	1N4007	500mA DIODE
D4	1N4007	500mA DIODE
D5	1N4007	500mA DIODE
D6	1N4007	500mA DIODE

Power Amp

D7	1N4007	500mA DIODE
D8	1N4148	500mA DIODE
D9	1N4007	500mA DIODE
D10	1N4007	500mA DIODE
D11	1N4148	
IC1	4558	
IC2	CA3080	CA3080
IC3	4558	
IC4	STK404-140	STK404-140
IC7	C1237 ADAPTER	C1237HA
IC8	78M05	TO-92 VOLTAGE REGULATOR
IC905	79M15	TO-92 VOLTAGE REGULATOR
IR1	PS2501-1	
L901	2.2uH	
Q1	A733	
R1	100K	RESISTOR
R2	12K	RESISTOR
R3	10K	RESISTOR
R4	47K	RESISTOR
R5	47K	RESISTOR
R6	100	RESISTOR
R7	10K	RESISTOR
R8	18K	RESISTOR
R9	47K	RESISTOR
R10	2.2K	RESISTOR
R11	10K	RESISTOR
R12	10K	RESISTOR
R13	100K	RESISTOR
R14	8.2K	RESISTOR
R15	8.2K	RESISTOR
R16	100K	RESISTOR
R17	100K	RESISTOR
R18	100K	RESISTOR
R19	10K	RESISTOR
R20	47K	RESISTOR
R21	24K	RESISTOR
R22	8.2K	RESISTOR
R23	100/1W	RESISTOR
R24	8.2K	RESISTOR
R25	1K	RESISTOR
R26	1K	RESISTOR
R27	10K	RESISTOR
R28	510	RESISTOR
R29	56K	RESISTOR
R30	56K	RESISTOR
R31	1.5K	RESISTOR
R32	4.7K/1W	RESISTOR
R33	4.7k/1W	RESISTOR
R35	4.7/1W	RESISTOR
R36	4.7/1W	RESISTOR
R37	.22/5W	

Power Amp

R39	27K	RESISTOR
R41	68K	RESISTOR
R42	47K	RESISTOR
R43	10	RESISTOR
R44	1.2K/1W	RESISTOR
R45	10K	RESISTOR
R46	470	RESISTOR
R47	0.47	RESISTOR
RLY1	RELAY-SPST	

Jack Bd.

Designator	Comment	Description
C1	22-50V	CAPACITOR
C2	22-50V	CAPACITOR
CN1		HEADER
CN2		HEADER
J1	SPEAKER 1	VERTICAL T-TS-S-SS
J2	SPEAKER 2	VERTICAL T-TS-S-SS
J3	LINE OUTPUT	VERTICAL T-TS-S-SS
J4	RETURN	VERTICAL T-TS-S-SS
J5	SEND	VERTICAL T-TS-S-SS
R1	1K	RESISTOR
R3	1K	RESISTOR