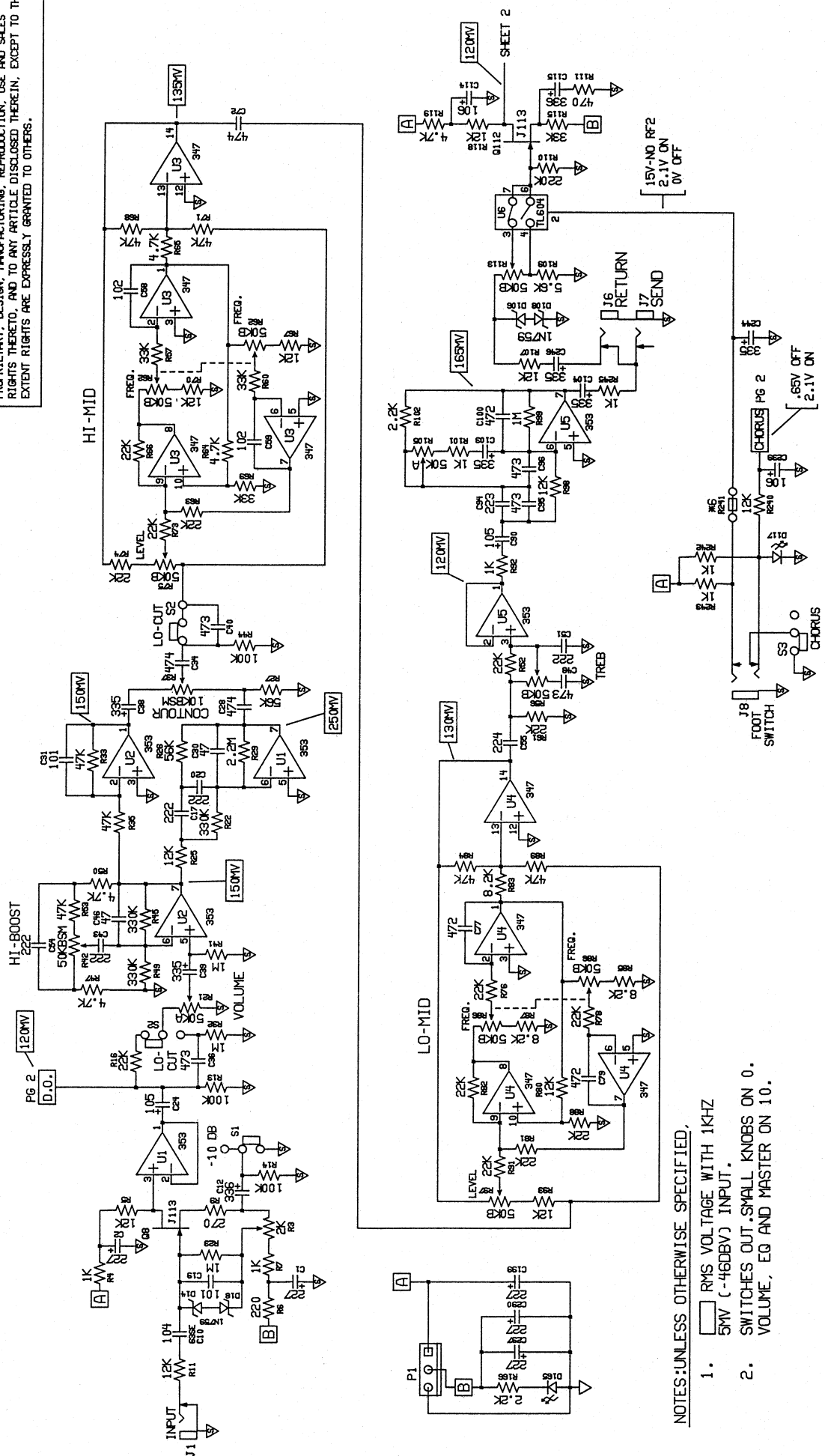


THIS INFORMATION AND DESIGN DISCLOSED HEREIN WAS ORIGINATED BY AND IS THE PROPERTY OF GALLIEN-KRUEGER. GALLIEN-KRUEGER RESERVES ALL PATENT, PROPRIETARY, DESIGN, MANUFACTURING, REPRODUCTION, USE AND SALES RIGHTS THEREON, AND TO ANY ARTICLE DISCLOSED THEREIN, EXCEPT TO THE EXTENT RIGHTS ARE EXPRESSLY GRANTED TO OTHERS.



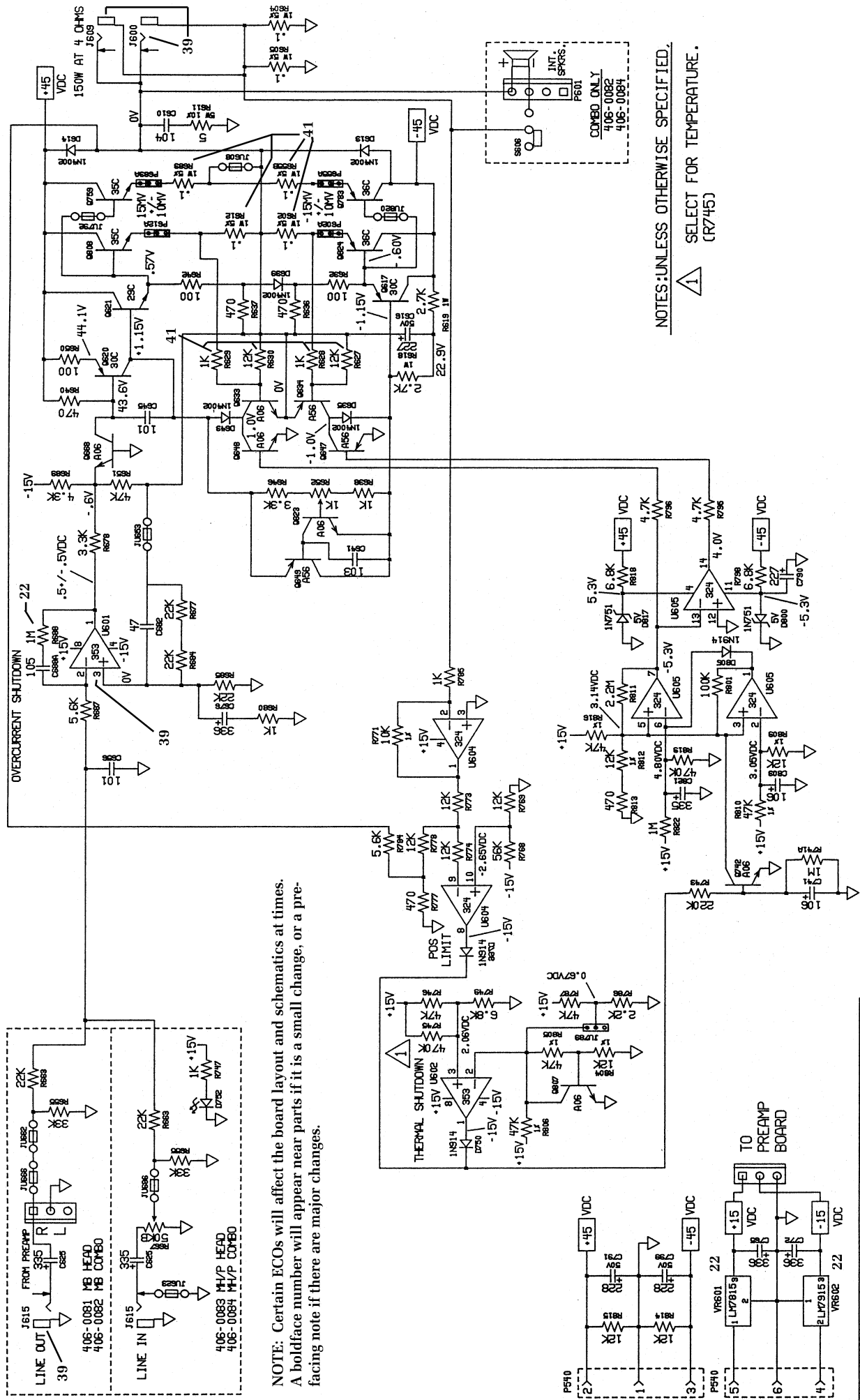
NOTES: UNLESS OTHERWISE SPECIFIED,

1. \square RMS VOLTAGE WITH 1KHZ 5MV (-46DBV) INPUT.
2. SWITCHES OUT SMALL KNOBS ON 0. VOLUME, EQ AND MASTER ON 10.

| PCO# | DATE | FIRST SN | PCO# | DATE | FIRST SN | PCO# | DATE | FIRST SN |
|------|------|----------|------|------|----------|------|------|----------|
| 6 | 2/91 | | | | | | | |

| MODEL #: | DATE: | DESCRIPTION: MB EFFECTS PREAMP |
|-------------|--------|--------------------------------|
| MB-E PREAMP | 2-8-91 | INPUT, FILTERS, EQ, BOOST |

| DESIGNED BY: | BOARD #: | PCO#-DATE: | FROM SN# | TO SN: |
|--------------|-----------|------------|----------|--------|
| M.P.J. | 406-0087B | 6 - 2/91 | | |



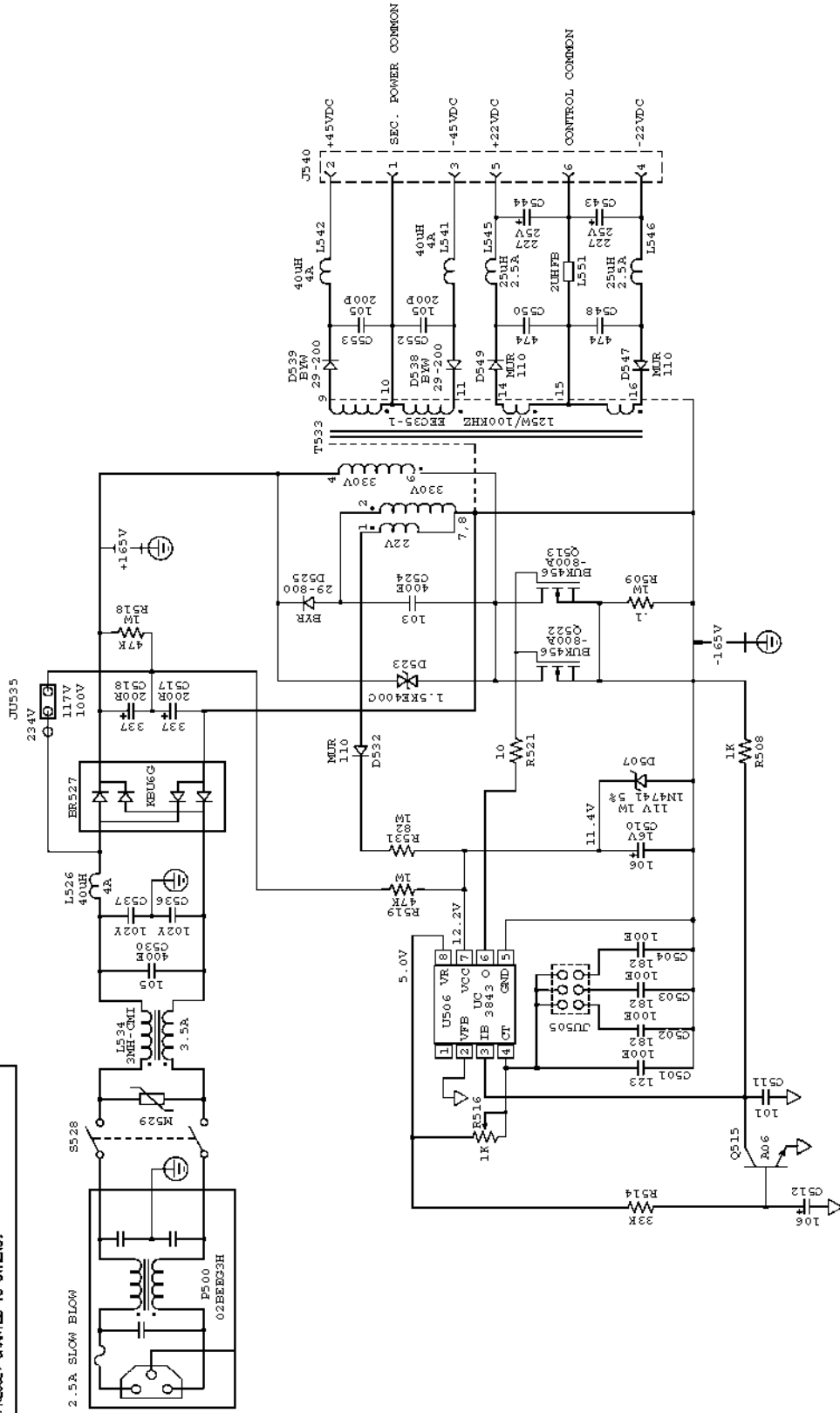
NOTE: Certain ECOs will affect the board layout and schematics at times. A boldface number will appear near parts if it is a small change, or a pre-facing note if there are major changes.

NOTES: UNLESS OTHERWISE SPECIFIED, SELECT FOR TEMPERATURE. (R7/45)

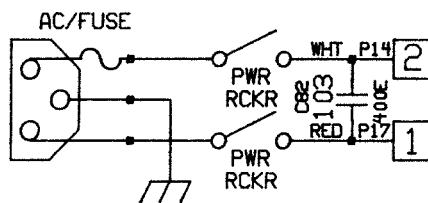
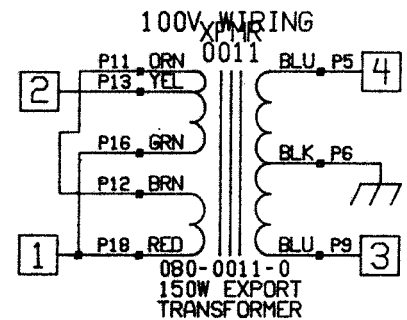
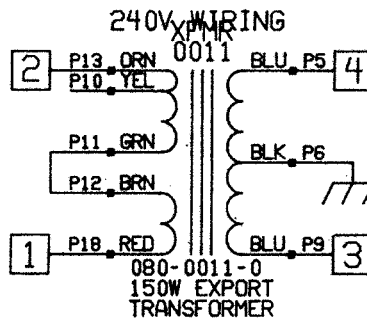
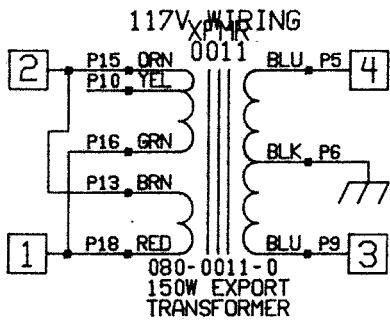
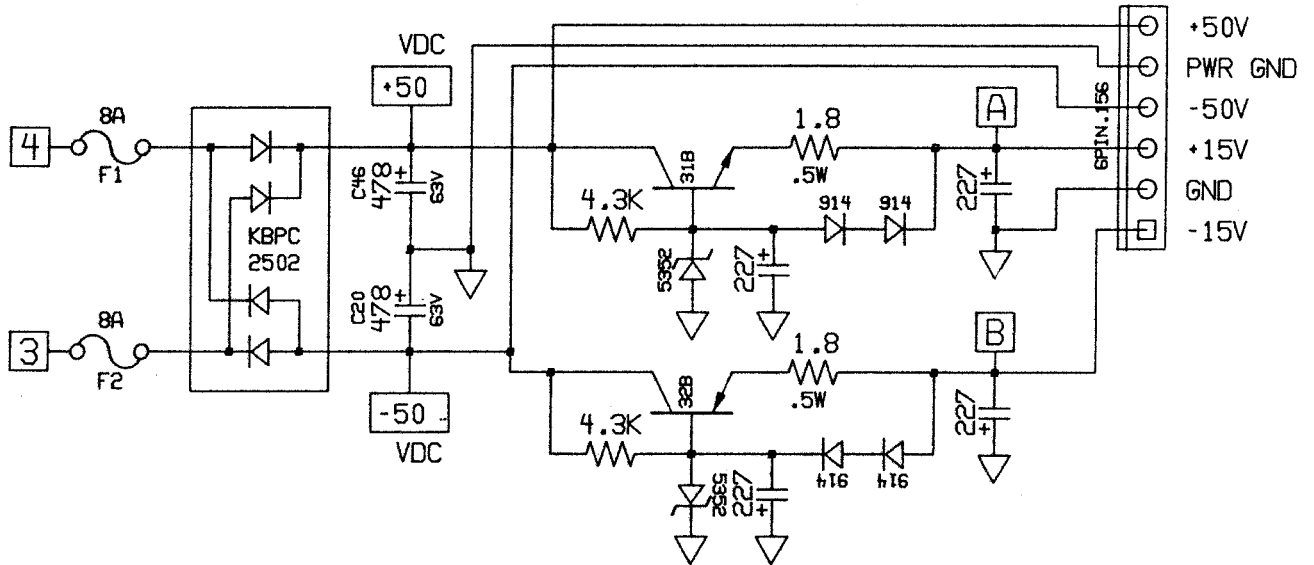
THIS INFORMATION AND DESIGN DISCLOSED HEREIN WAS ORIGINATED BY AND IS THE PROPERTY OF GALLIEN-KRUEGER. GALLIEN-KRUEGER RESERVES ALL PATENT, PROPRIETARY, DESIGN, MANUFACTURING, REPRODUCTION, USE AND SALES RIGHTS THERE TO, AND TO ANY ARTICLE DISCLOSED THEREIN, EXCEPT TO THE EXTENT RIGHTS ARE EXPRESSLY GRANTED TO OTHERS.

| | | | |
|-----------------------|--------------|----------|--|
| GALLIEN-KRUEGER | MODEL #: | DATE: | DESCRIPTION: MONO HIGH DAMPING POWER AMP, 150W |
| SCHEMATIC PG: 1 OF: 1 | MB PWR AMP | 1-30-91 | PCO#-DATE: FROM SN: TO SN: |
| | DESIGNED BY: | BOARD #: | |
| | A. MIHALKA | 406-0082 | |
| | | 00810 | |
| | | 00830 | |

THIS INFORMATION AND DESIGN DISCLOSED HEREIN WAS ORIGINATED BY AND IS THE PROPERTY OF GALLIEN-KRUEGER. GALLIEN-KRUEGER RESERVES ALL PATENT, PROPRIETARY, DESIGN, MANUFACTURING, REPRODUCTION, USE AND SALES RIGHTS THEREIN, AND TO ANY ARTICLE DISCLOSED THEREIN, EXCEPT TO THE EXTENT RIGHTS ARE EXPRESSLY GRANTED TO OTHERS.



NOTE: Refer to ECO #'s 28 and 37 for changes that may not be indicated on the schematics.



SEE ABOVE FOR CORRECT TRANSFORMER WIRING FOR EACH MODEL DEPENDING ON VOLTAGE.

| | | | | | | |
|-------------------------|-----------------------|--------------------------|----------------------------------|----------|--------|--|
| GALLIEN-KRUEGER | | DATE: 5/3/94 | DESCRIPTION: PWR SUPPLY BOARD | | | |
| SCHMATIC PG: 1 OF: 1 | MODEL #: MB150-E/S | DESIGNED BY: M. JOHNS | BOARD #: 406-0084A | FROM SN: | TO SN: | |