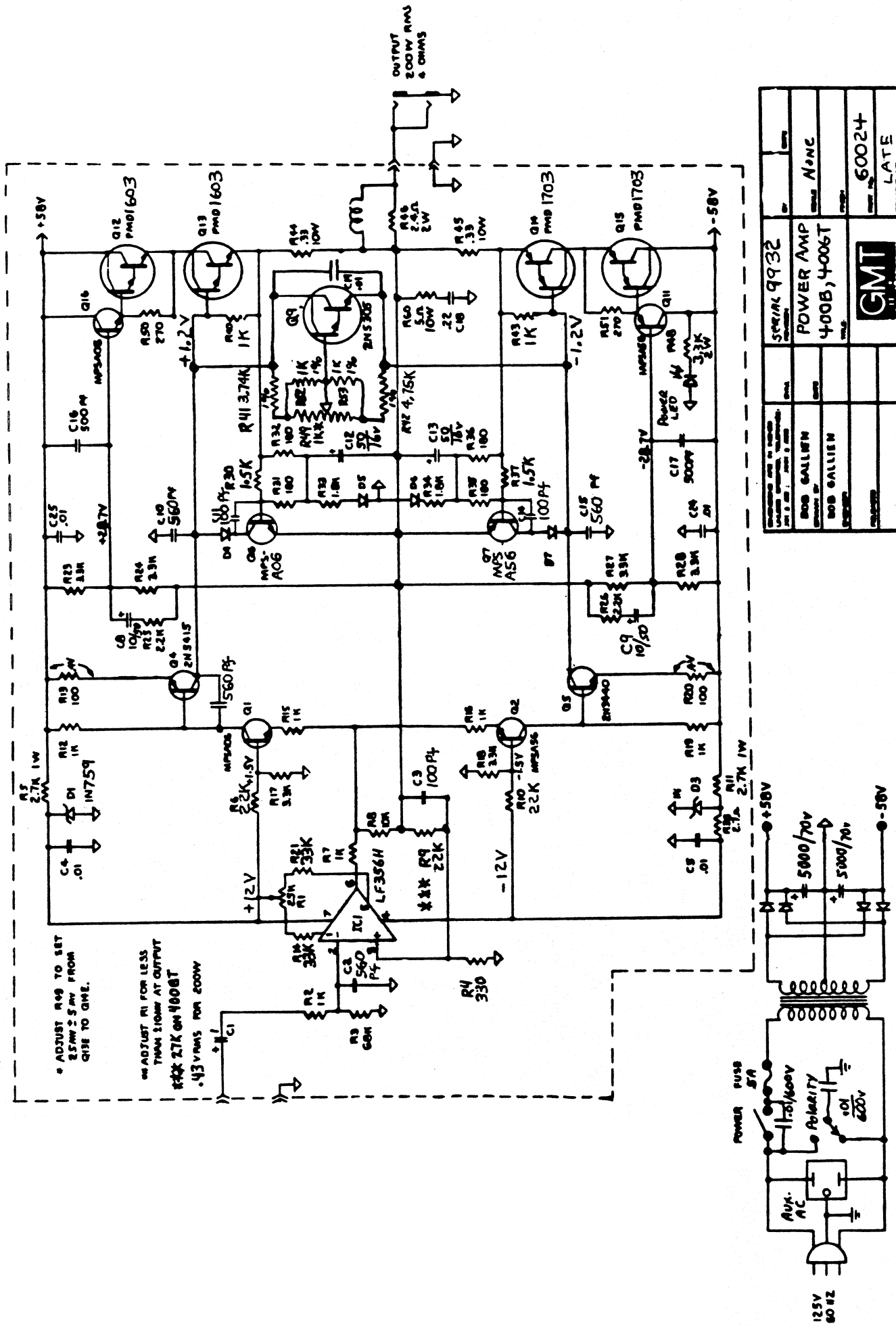



Part No.	SN-6629
Quantity	1
Manufacturer	POWER AMP
Model	400B, 400GT
Rev.	1
GMT	
Part No.	60024
Quantity	1
Manufacturer	EARLY
Model	
Rev.	

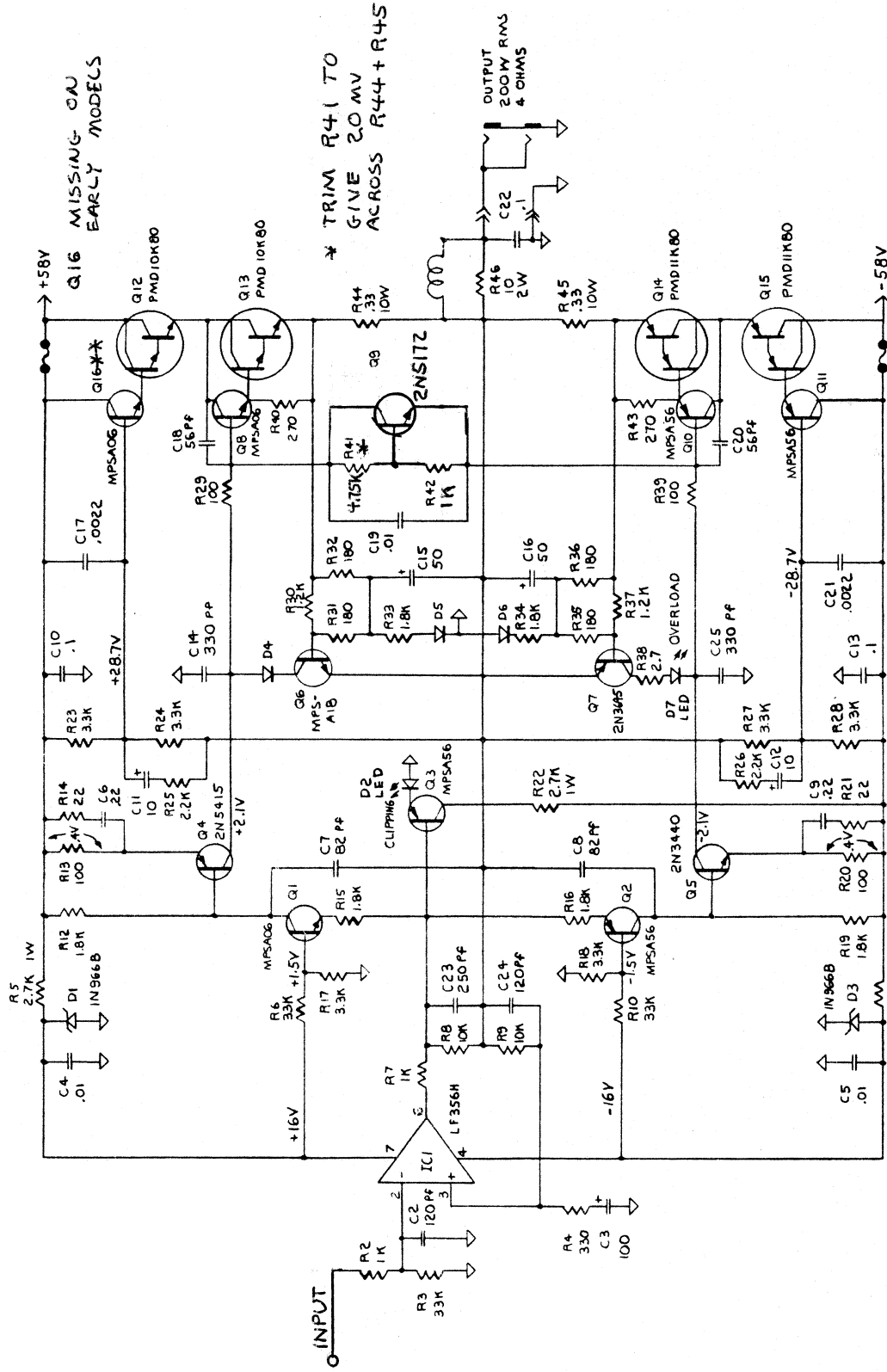


* ADJUST R49 TO SET
25mA ± 5 mA FROM
GND TO GME.

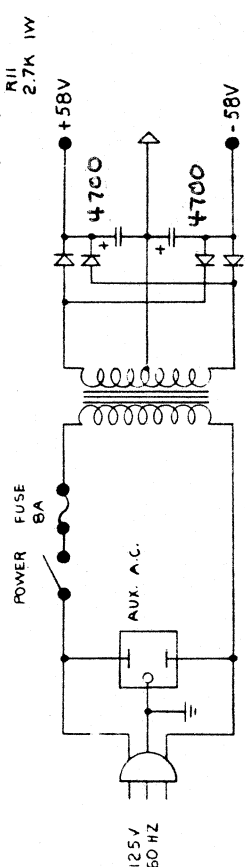
** ADJUST R1 FOR LESS
THAN 10mA AT OUTPUT
R49 ± 27K ON 400BT
.43 v RMS FOR 200W

DESIGNED BY	BOB GALLIEN	DATE		Serial No.	
DESIGNED BY	BOB GALLIEN	DATE		Serial No.	60024
CHECKED BY		DATE		Serial No.	LATE
					
SERIAL 9932 POWER AMP 400B, 400GT			NONE NONE		

POWER AMP



MISSING GA EARLY MODELS



DESIGNED BY: BOB GALLIEN	DATE: XXX.X.XXX	BY:	DATE:
DRAWN BY: BOB GALLIEN	DATE: XXX.X.XXX	SCALE:	
ENGINEER:		REVISION:	
RELEASED:		TITLE: POWER AMP 400B	
MATERIAL:		PRINT NO: 60014	
		GM	