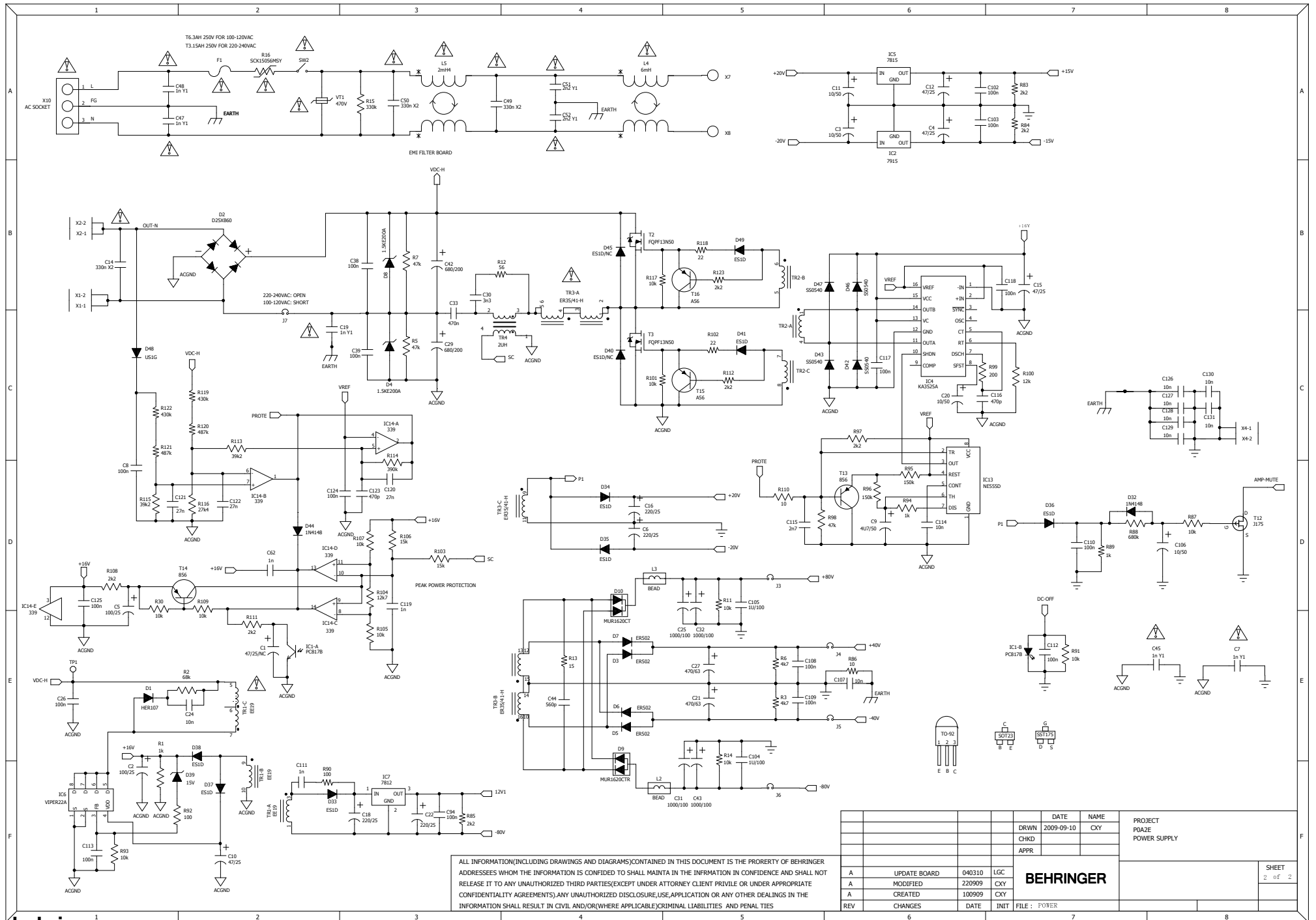


ALL INFORMATION (INCLUDING DRAWINGS AND DIAGRAMS) CONTAINED IN THIS DOCUMENT IS THE PROPERTY OF BEHRINGER ADDRESSES WHOM THE INFORMATION IS CONFIDED TO SHALL MAINTAIN THE INFORMATION IN CONFIDENCE AND SHALL NOT RELEASE IT TO ANY UNAUTHORIZED THIRD PARTIES (EXCEPT UNDER ATTORNEY CLIENT PRIVILEGE OR UNDER APPROPRIATE CONFIDENTIALITY AGREEMENTS). ANY UNAUTHORIZED DISCLOSURE, USE, APPLICATION OR ANY OTHER DEALINGS IN THE INFORMATION SHALL RESULT IN CIVIL AND/OR (WHERE APPLICABLE) CRIMINAL LIABILITIES AND PENAL TIES

DRWN	2009-09-10	NAME	CXY	PROJECT POAZE POWER AMPLIFIER	SHEET 1 of 2
CHKD					
APPR					
A UPDATE BOARD		040310	LGC	BEHRINGER	
A MODIFIED		220909	CXY		
A CREATED		100909	CXY		
REV	CHANGES	DATE	INIT	FILE: AMP	

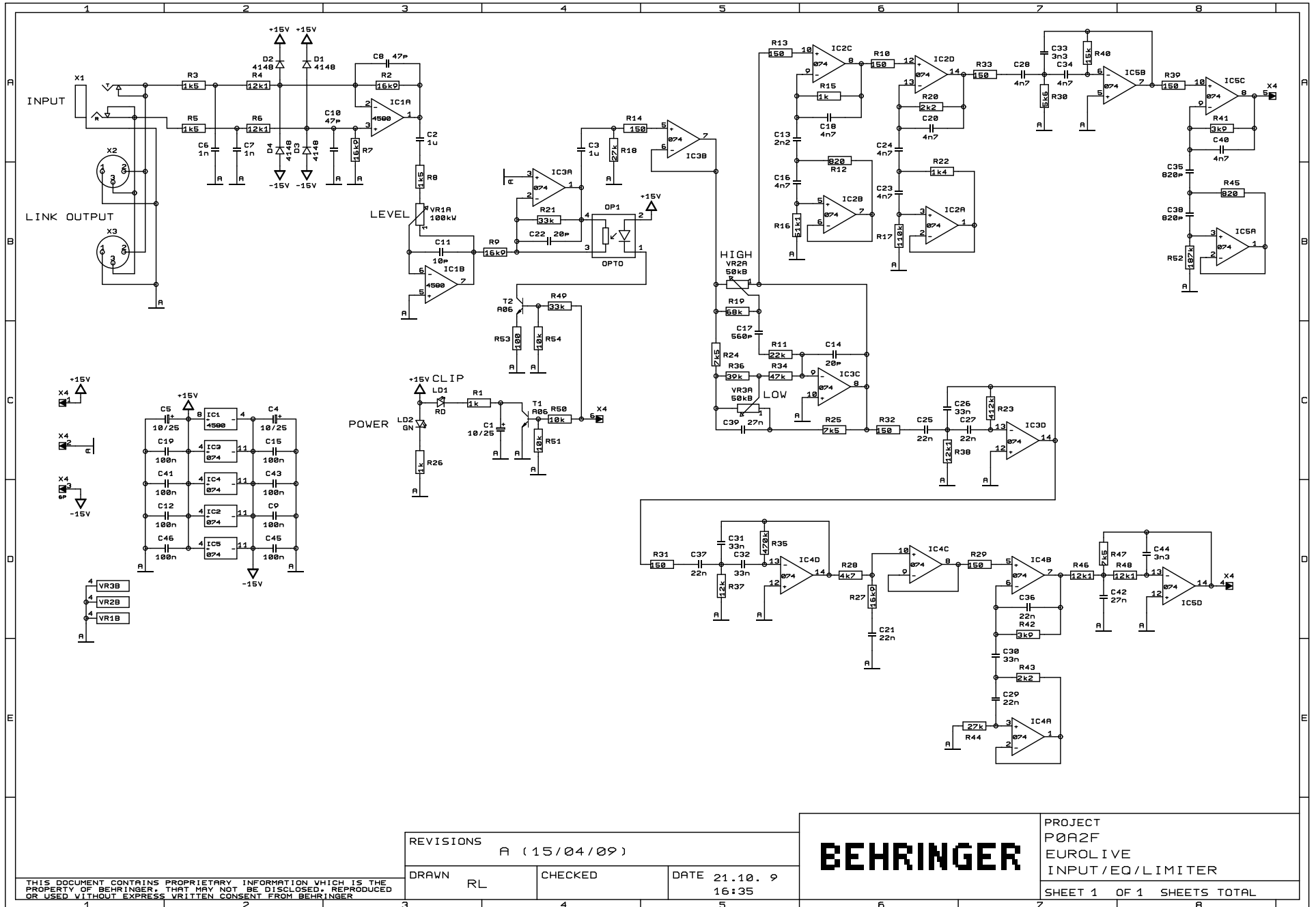


ALL INFORMATION (INCLUDING DRAWINGS AND DIAGRAMS) CONTAINED IN THIS DOCUMENT IS THE PROPERTY OF BEHRINGER ADDRESSES WHOM THE INFORMATION IS CONFIDED TO SHALL MAINTAIN THE INFORMATION IN CONFIDENCE AND SHALL NOT RELEASE IT TO ANY UNAUTHORIZED THIRD PARTIES (EXCEPT UNDER ATTORNEY CLIENT PRIVILEGE OR UNDER APPROPRIATE CONFIDENTIALITY AGREEMENTS). ANY UNAUTHORIZED DISCLOSURE, USE, APPLICATION OR ANY OTHER DEALINGS IN THE INFORMATION SHALL RESULT IN CIVIL AND/OR (WHERE APPLICABLE) CRIMINAL LIABILITIES AND PENAL TIES

REV	CHANGES	DATE	INIT	FILE	POWER
A	UPDATE BOARD	040310	LGC		
A	MODIFIED	220909	CXY		
A	CREATED	100909	CXY		
DRWN	2009-09-10	CXY			
CHKD					
APPR					

DATE	2009-09-10	NAME	CXY
BEHRINGER			
PROJECT	POAZE	POWER SUPPLY	

SHEET	2 of 2
-------	--------



REVISIONS		
A (15/04/09)		
DRAWN	CHECKED	DATE
RL		21.10. 9
		16:35

BEHRINGER

PROJECT
P0A2F
EUROLIVE
INPUT/EQ/LIMITER
SHEET 1 OF 1 SHEETS TOTAL

THIS DOCUMENT CONTAINS PROPRIETARY INFORMATION WHICH IS THE PROPERTY OF BEHRINGER. THAT MAY NOT BE DISCLOSED, REPRODUCED OR USED WITHOUT EXPRESS WRITTEN CONSENT FROM BEHRINGER.