

BILL OF MATERIAL REPORT  
-----

REPORT DATE/TIME: 11/3/2003 11:29:07 AM

BOARD NAME: XXX SUPER 40 EFX      ASSEMBLY LEVEL NUMBER: 99060251

PROJECT NUMBER: P0200078      DESIGNER: ELC

Qty.	Part #	Description	Reference Designators
--			
2	70210003	100 1W 5% MO AXL	R30 R31
2	70210005	22K 1W 5% MO AXL	R87 R88
1	70210011	47 1W 5% MO AXL	R121
3	70240008	47 1/4W 5% CF AXL	R92 R93 R141
1	70240012	180 1/4W 5% CF AXL	R94
1	70240013	270 1/4W 5% CF AXL	R3
2	70240014	330 1/4W 5% CF AXL	R44 R136
3	70240015	470 1/4W 5% CF AXL	R72 R73 R74
1	70240017	1K 1/4W 5% CF AXL	R16
2	70240018	1500 1/4W 5% CF AXL	R58 R59
2	70240023	4700 1/4W 5% CF AXL	R85 R127
2	70240025	10K 1/4W 5% CF AXL	R21 R96
1	70240026	56K 1/4W 5% CF AXL	R123
4	70240029	22K 1/4W 5% CF AXL	R25 R26 R86 R122
2	70240031	47K 1/4W 5% CF AXL	R95 R130
1	70240034	100K 1/4W 5% CF AXL	R75
1	70240035	150K 1/4W 5% CF AXL	R102
9	70240036	220K 1/4W 5% CF AXL	R9 R10 R11 R12 R13 R14 R15 R66 R118
10	70240038	470K 1/4W 5% CF AXL	R77 R78 R79 R80 R81 R82 R84 R111 R126 R132

7	70240039	1M	1/4W	5%	CF	AXL	R104 R105 R106 R108 R109 R112 R138
1	70240040	2.2M	1/4W	5%	CF	AXL	R143
2	70240047	40.2K	1/4W	1%	MF	AXL	R18 R110
1	70240048	39K	1/4W	5%	CF	AXL	R139
1	70240065	680K	1/4W	5%	CF	AXL	R91
3	70240090	47	1/4W	5%	FP	AXL	R39 R41 R42
2	70240094	4.7	1/4W	10%	FP	AXL	R55 R56
3	70240109	4.53K	1/4W	1%	MF	AXL	R33 R34 R142
1	70240120	21.0K	1/4W	1%	MF	AXL	R65
3	70240130	82.5K	1/4W	1%	MF	AXL	R35 R37 R101
1	70240135	165K	1/4W	1%	MF	AXL	R131
2	70240145	2.21K	1/4W	1%	MF	AXL	R99 R100
2	70240148	0	1/4W	0%	MF	AXL	R40 R145
11	70240151	100K	1/4W	1%	MF	AXL	R45 R46 R47 R48 R49 R51 R52 R53 R133 R134 R137
1	70240200	10 OHM	3A		INRUSH	LIMITER	R24
2	70241035	150K	1/4W	1%	MF	AXL	R1 R2
3	70241037	243K	1/4W	1%	MF	AXL	R69 R70 R97
6	70241039	1.43K	1/4W	1%	MF	AXL	R4 R60 R61 R62 R63 R64
2	70241040	20K	1/4W	1%	MF	AXL	R36 R38
10	70241050	10K	1/4W	1%	MF	AXL	R27 R113 R114 R115 R116 R117 R124 R129 R135 R140
4	70241070	68.1K	1/4W	1%	MF	AXL	R17 R19 R20 R83
4	70241072	49.9K	1/4W	1%	MF	AXL	R50 R68 R98 R125
1	70241073	60.4K	1/4W	1%	MF	AXL	R107
1	70241075	100	1/4W	1%	MF	AXL	R103

1	70241080	182K	1/4W	1%	MF	AXL		R144
1	70241094	240K	1/4W	5%	CF	AXL		R67
1	70241097	15	5W	10%	WW	AXLH		R23
1	70250080	100	2W	5%	MO	AXL		R120
1	70250086	10K	2W	5%	MO	AXL		R54
1	70320013	47UF			50V	20%	EL AXLH	C69
1	70320104	0.01UF	125V-20%	"X"			RADH	C60
7	70320105	0.047UF	400V	10%	PES	AXL		C16 C17 C18 C20 C21 C22 C23
7	70320181	22UF	50V	20%	EL		RAD	C8 C9 C10 C11 C15 C59 C76
2	70320184	2.2UF	50V	20%	ELN		RAD	C14 C70
8	70320186	1000UF	35V	20%	EL		RAD	C3 C4 C12 C13 C40 C41 C42 C43
3	70320248	0.01UF	1000V	80-20%	Z5U		RAD	C56 C57 C79
4	70320264	100UF	63V	20%	EL		RAD	C71 C72 C74 C75
1	70320269	100PF	100V	5%	NPO		RAD	C48
2	70320281	1000PF	630V	10%	PE		AXL	C38 C39
3	70320283	0.022UF	400V	10%	PE		AXL	C5 C6 C7
1	70320298	0.1UF	250V	20%	"X"		RADH	C2
3	70320339	22UF	450V	20%	EL		RADH	C25 C52 C53
2	70320410	100UF	500V	20%	EL		SNPHT3	C24 C26
4	70330113	0.1UF	100V	10%	PPS		RAD	C30 C31 C32 C77
1	70330118	470PF	50V	5%	PE		RAD	C16
1	70330124	0.068UF	50V	5%	PE		RAD	C27
1	70330129	0.1UF	50V	5%	PE		RAD	C45
1	70330136	0.047UF	50V	5%	PE		RAD	C34
1	70330155	0.01UF	50V	5%	PE		RAD	C55
4	70330156	1000PF	50V	5%	PE		RAD	C29 C47 C50 C80

1	70330159	0.47UF	63V	5%	PES RAD	C37
2	70340004	2200PF	50V	10%	X7R AXL	C49 C51
1	70340008	6800PF	50V	10%	X7R AXL	C54
2	70340012	0.022UF	50V	10%	X7R AXL	C58 C73
3	70340052	39PF	50V	5%	NPO AXL	C33 C63 C64
6	70340054	100PF	50V	10%	NPO AXL	C61 C62 C65 C66 C67 C68
1	70340056	180PF	50V	10%	NPO AXL	C36
1	70340058	470PF	50V	10%	NPO AXL	C1
2	70340101	0.1UF	50V	10%	X7R AXL	C28 C78
2	70400757	1N757A	9.1V	5%	ZENER	D24 D25
3	70400933	2SA933ASLN	PNP	LN	RAD	Q6 Q7 Q8
4	70401740	2SC1740SLN	NPN	LN	RAD	Q1 Q2 Q3 Q4
2	70402873	SR2873	2KV,	250MA	DIODE	D11 D12
2	70414560	4560	DUAL	OPAMP	DIP8	U1 U2
1	70450034	RED LED	T1	BULK		D26
1	70450035	GRN LED	T-1	BULK		D2
2	70460097	MAC97-6	TRIAC	TO-92	T&A	TR1 TR2
2	70460174	J174	JFET	P	30V TO92 RAD	Q5 Q9
7	70464003	1N4003	200V	1A	SI DIODE	D3 D4 D5 D6 D27 D29 D30
4	70464007	1N4007	1KV,	1A,	SI DIODE	D7 D8 D9 D10
10	70464148	1N4148	75V	10MA	DIODE	D14 D15 D16 D17 D18 D19 D20 D21 D28 D31
1	70464744	1N4744A	15V	1W	5% ZENER	D32
2	70600029	5C .156	STRP	STRP	3" JMP	P28 P29
4	70600044	5C .156	STRP	SRCON	5"	P100 P104 P200 P600

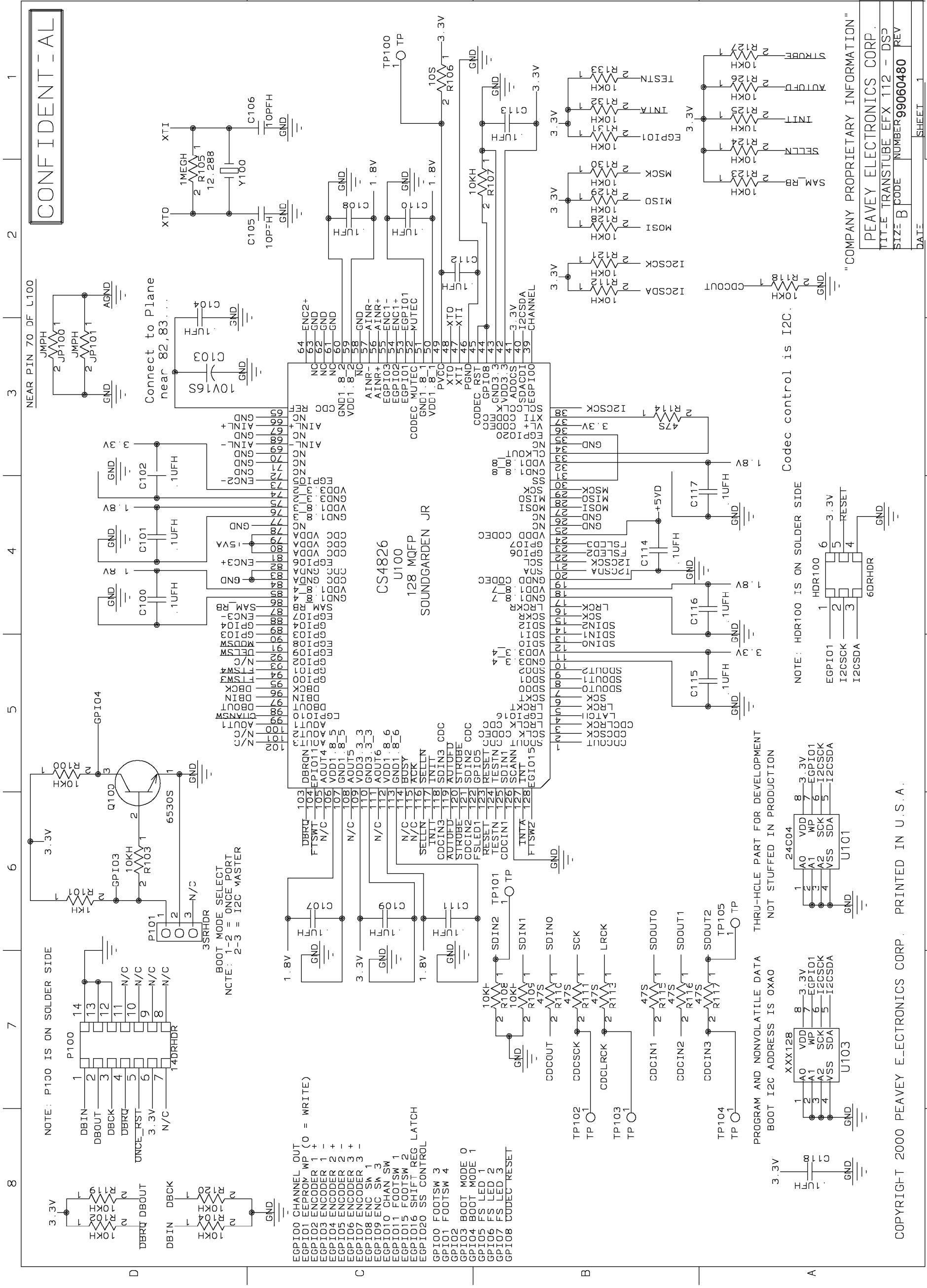
1	70600120	2C 2.5MM STRP SPOX 5"	P1005
1	70600133	10C .156 STRP SRCON 5"	P6
1	70600178	9C 2.5MM STRP SPOX 6"	P32
3	70806614	TUBE SKT 9PIN SNAP-IN	V1 V2 V3
1	70806619	TUBE SKT 9PIN PHENOLIC	V4
2	70806627	TUBE SKT OCTAL EL34	V5 V6
4	70900816	1/4" SNAP-IN FUSECLIP	P30 P31 P55 P56
1	70901429	EXT. FUSEHOLDER, PC MT	F2
2	70901712	1A 2AG FUSE T&R	F3 F4
2	70901857	STND .375 T4-40, SW, AL, ST	HW1 HW2
2	70901859	STND .500 T4-40, SW, AL, ST	HW3 HW4
3	70901890	STND .375 T4-40SW, AL, ST	HW10 HW11 HW12
1	71190303	1M20C SNGL 16MM SPD	VR6
2	71190311	1M5A SNGL 16MM SPD	VR7 VR8
4	71190334	250KB SNGL 16MM SPD	VR10 VR11 VR12 VR13
3	71190336	10KB SNGL 16MM SPD	VR2 VR4 VR5
1	71190338	100K20A SNGL 16MM SPD	VR1
1	71190339	250K20A SNGL 16MM SPD	VR3
1	71322253	SWITCH 4PDT PP 3.3MM PC V	S7
4	71322277	RELAY 12V DPDT .5A	S1 S2 S3 S9
1	71322321	SWITCH DPDT SLIDE PC V	S8
1	71322328	SWITCH 2P3T SLIDE PC V	S5
1	71466147	CONN 8 POSITION RA PCMNT DIN	J6
2	71466214	2 TIP HID JACK NINS W/SPD	J3 J5
1	71466215	2 TIP HID JACK INSU W/SPD	J4
1	71466217	STEREO HID JACK NINS W/SPD	J1
1	71600254	50 5W 10% WW AXLH LS	R22



1	71600263	4K 5W 10% WW AXLH SL	R89
2	71600265	1K 5W 10% WW AXLH SL	R28 R29
1	71600267	400 5W 10% WW AXLH SL	R90
4	73711811	PIN-F .093 MOLEX PC-MNT	P24 P25 P26 P27
3	73711812	PIN-M .093 MOLEX PC-MNT	P35 P36 P37
4	73713813	WR-TO-BD CRIMP TERM 18GA	P9 P19 P20 P1002
10	73716194	SPADE .250 PC MNT .093	P18 P21 P46 P47 P48 P49 P50 P51 P52 P53
52	73717003	1 STAKE PIN .045 .625 TIN	P1 P2 P3 P4 P10 P11 P12 P13 P14 P15 P16 P17 P38 P39 P40 P57 P58 P59 P60 P61 P62 P63 P64 P65 P80 P82 P83 P84 P85 P101 P102 P103 P105 P201 P202 P203 P205 P402 P403 P502 P503 P601 P602 P603 P604 P605 P900 P901 P1000 P1001 P1003 P1004
1	73717010	8 HDR H SR .100" TIN LK	P33
2	73717194	8 HDR V JST-EHR 2.5MM TIN	P43 P44
2	73717197	4 HDR V JST-EHR 2.5MM TIN	P106 P606
2	73719080	3 HDR H SR .100" TIN LK	P69 P70
1	73719109	4 HDR H SR .156" TIN LK	P54
1	73719110	3 HDR H SR .312/156" TIN LK	P5

-----  
 END OF BILL OF MATERIAL REPORT  
 -----

CONFIDENTIAL



NOTE: P100 IS ON SOLDER SIDE

BOOT MODE SELECT  
NOTE: 1-2 = ONCE PORT  
2-3 = I2C MASTER

- EGPIO0 CHANNEL OUT
- EGPIO1 EEPROM WP (0 = WRITE)
- EGPIO2 ENCODER 1 +
- EGPIO3 ENCODER 1 -
- EGPIO4 ENCODER 2 +
- EGPIO5 ENCODER 2 -
- EGPIO6 ENCODER 3 +
- EGPIO7 ENCODER 3 -
- EGPIO8 ENC SW 1
- EGPIO9 ENC SW 3
- EGPIO10 CHAN SW
- EGPIO11 FOOTSW 1
- EGPIO15 FOOTSW 2
- EGPIO16 SHIFT REG LATCH
- EGPIO20 SS CONTROL
- GPI00 FOOTSW 3
- GPI01 FOOTSW 4
- GPI02
- GPI03 BOOT MODE 0
- GPI04 BOOT MODE 1
- GPI05 FS LED 1
- GPI06 FS LED 2
- GPI07 FS LED 3
- GPI08 CODEC RESET

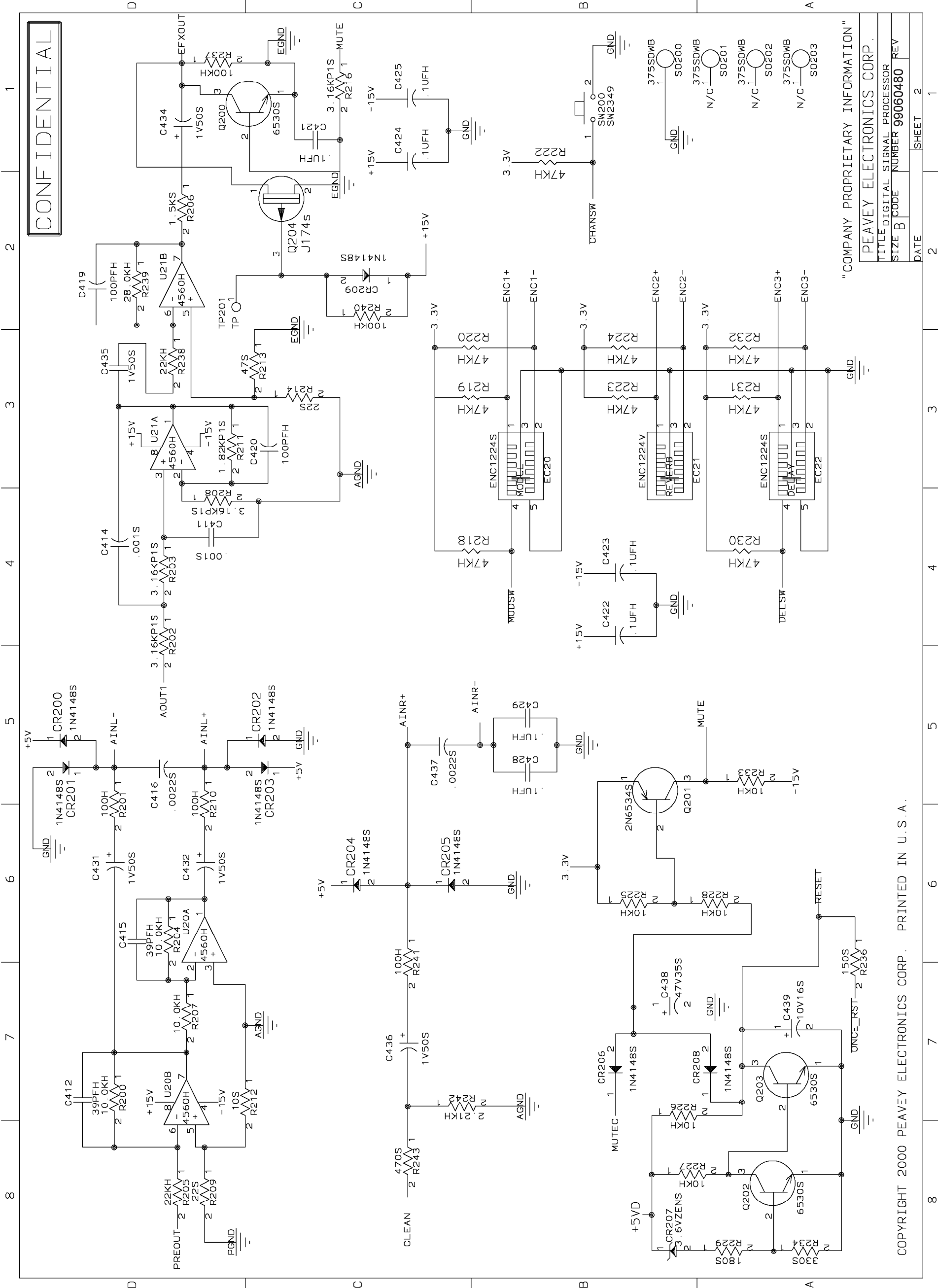
PROGRAM AND NONVOLATILE DATA THRU-HOLE PART FOR DEVELOPMENT  
BOOT I2C ADDRESS IS 0XA0  
NOT STUFFED IN PRODUCTION

NOTE: HDR100 IS ON SOLDER SIDE

"COMPANY PROPRIETARY INFORMATION"

PEAVEY ELECTRONICS CORP.  
TITLE TRANSTUBE EFX 112 - DSP  
SIZE B CODE NUMBER 99060480 REV  
DATE \_\_\_\_\_ SHEET 1

CONFIDENTIAL

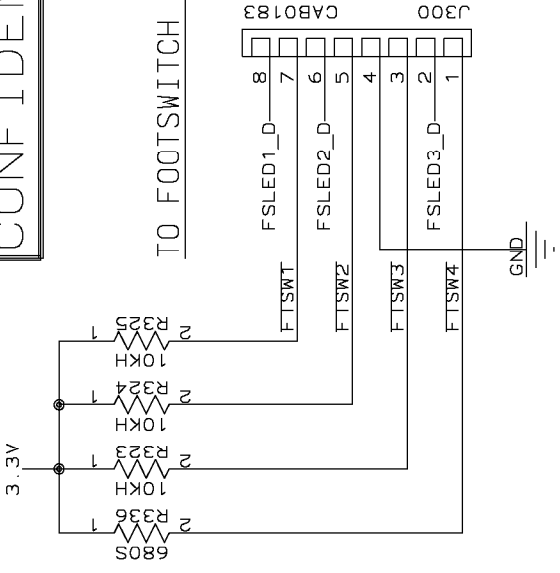


"COMPANY PROPRIETARY INFORMATION"  
PEAVEY ELECTRONICS CORP.  
TITLE DIGITAL SIGNAL PROCESSOR  
SIZE B CODE NUMBER 99060480 REV  
DATE \_\_\_\_\_ SHEET 2

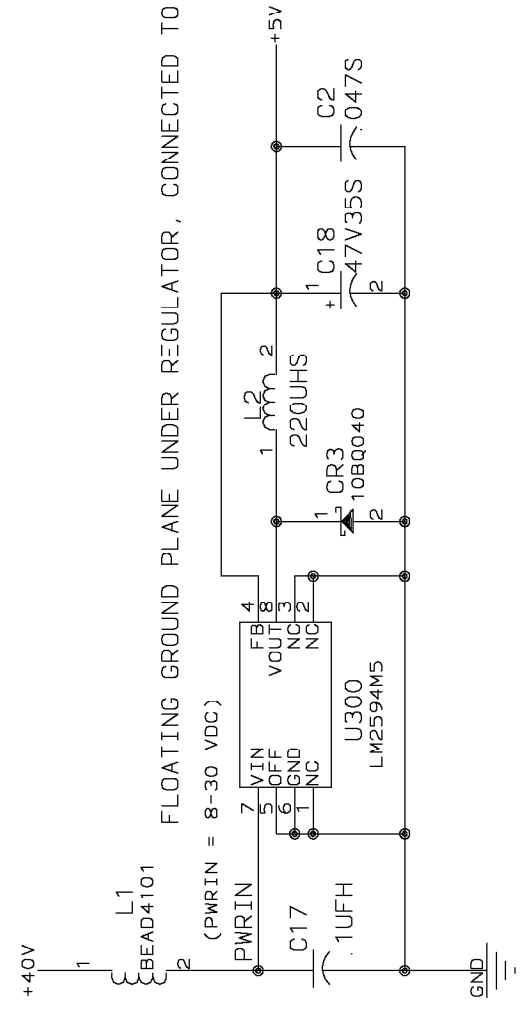
COPYRIGHT 2000 PEAVEY ELECTRONICS CORP. PRINTED IN U.S.A.

CONFIDENTIAL

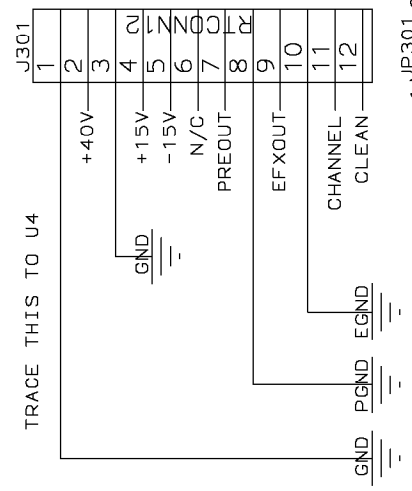
TO FOOTSWITCH JACK



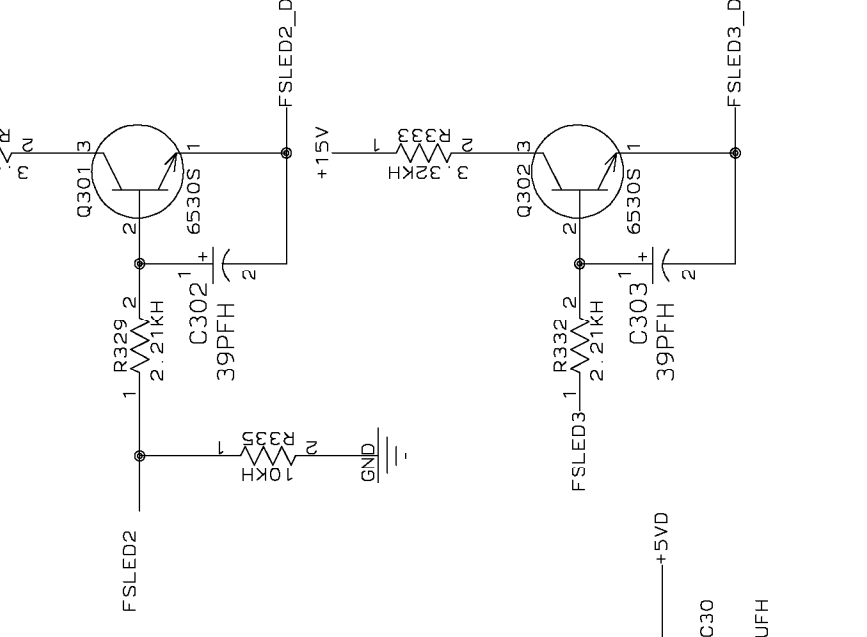
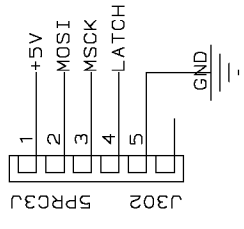
FLOATING GROUND PLANE UNDER REGULATOR, CONNECTED TO S0202



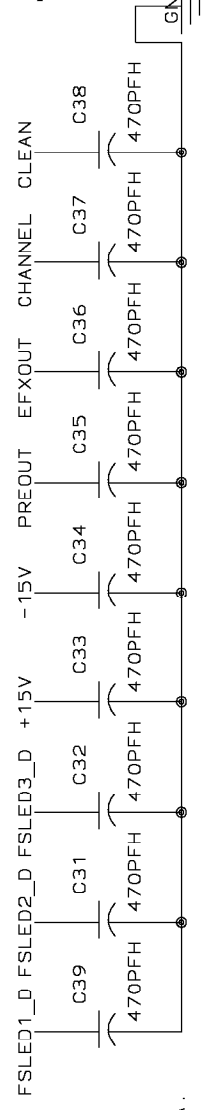
TO PREAMP/POWER BOARDS



TO LED BOARD



THESE CAPS SHOULD GO VERY CLOSE TO CONNECTORS AND DIRECTLY TO GND PLANE



"COMPANY PROPRIETARY INFORMATION"

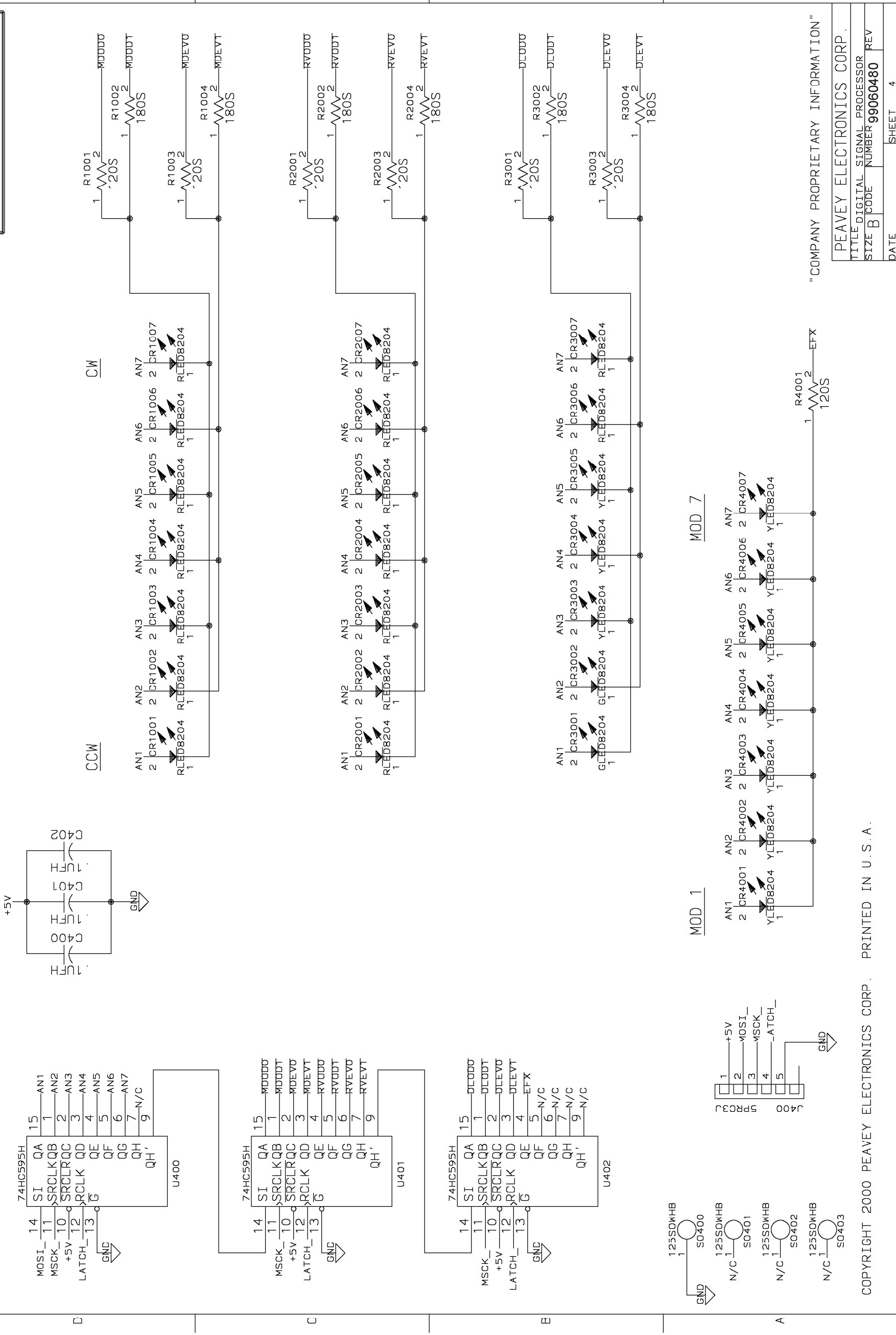
PEAVEY ELECTRONICS CORP.  
TITLE DIGITAL SIGNAL PROCESSOR  
SIZE B CODE NUMBER 99060480 REV

COPYRIGHT 2000 PEAVEY ELECTRONICS CORP. PRINTED IN U.S.A.

DATE SHEET 3

8 7 6 5 4 3 2 1

CONFIDENTIAL



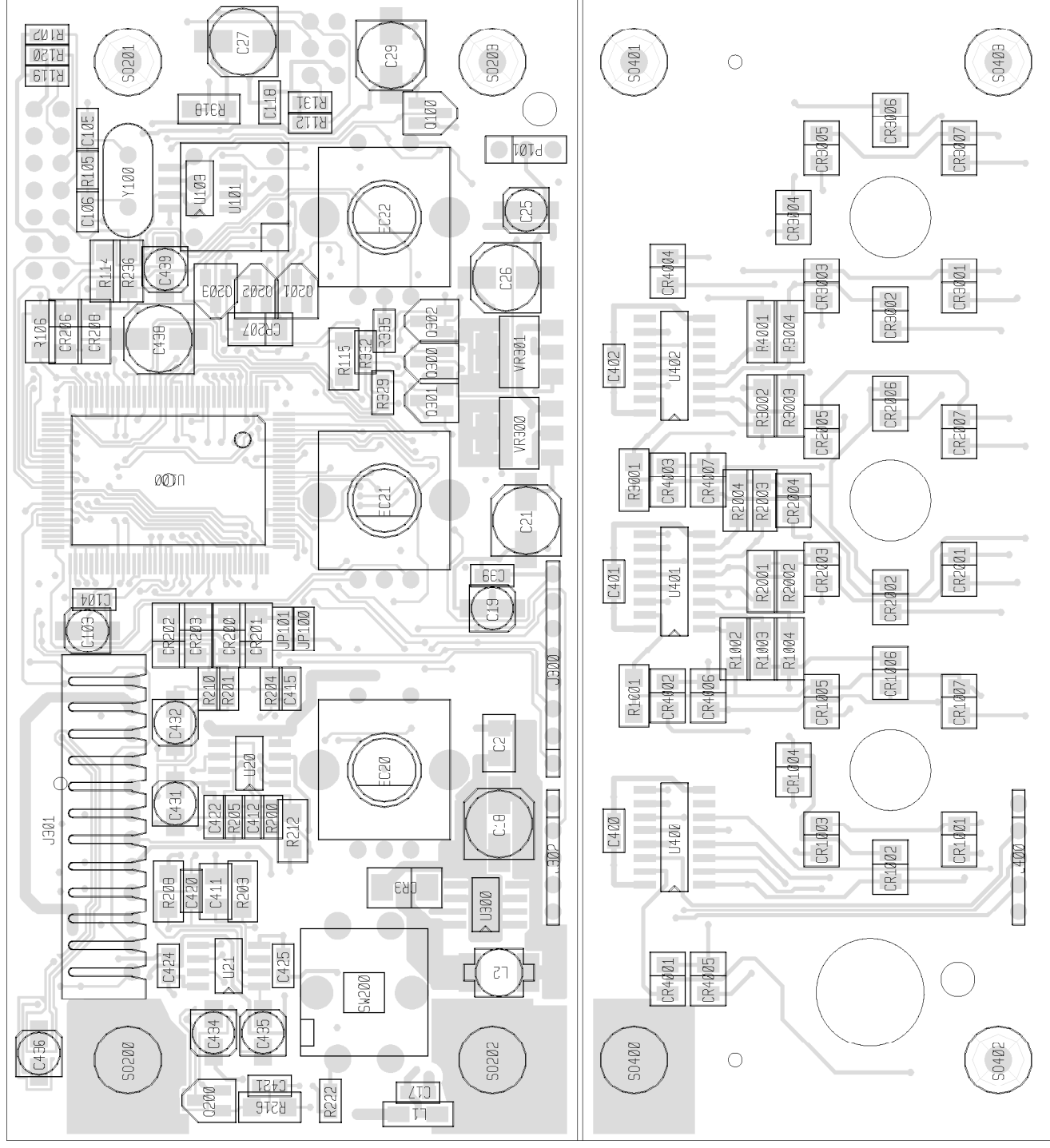
"COMPANY PROPRIETARY INFORMATION"

PEAVEY ELECTRONICS CORP.	
TITLE DIGITAL SIGNAL PROCESSOR	
SIZE B	CODE NUMBER 99060480 REV
DATE	SHEET 4

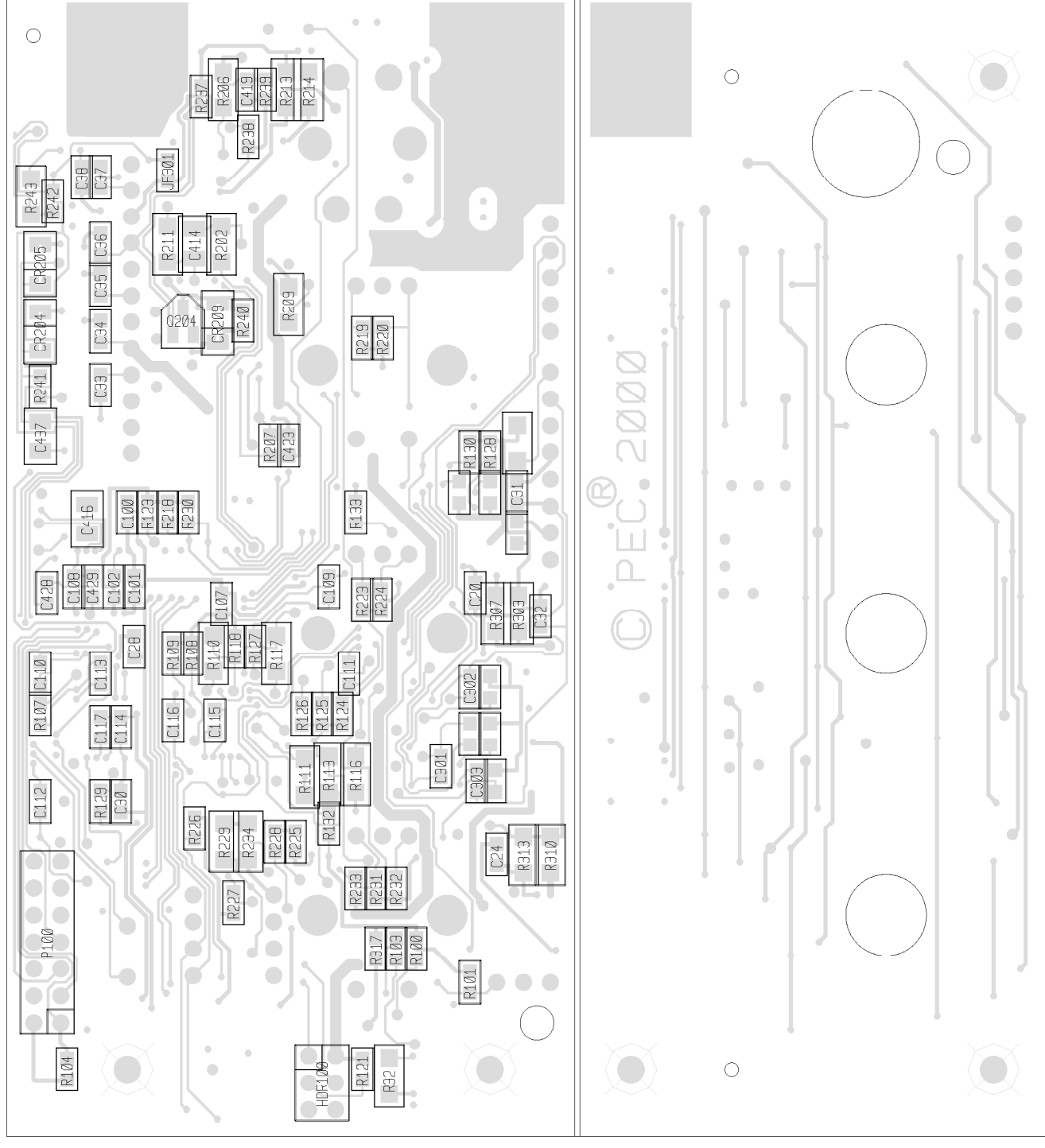
COPYRIGHT 2000 PEAVEY ELECTRONICS CORP. PRINTED IN U.S.A.

8 7 6 5 4 3 2 1

# PRIMARY SIDE VIEW



# SECONDARY SIDE VIEW



# EFFECTS DIGITAL BOARD

© PEC. 2000



C39 CR3001, CR3002

1 470S 470 70200046 470--1/8W--5%---SMT

9 47KH 47K 70200170 47K--1/10W--5%---SMT--805

R243

R218, R219, R220, R222, R223, R224,  
R230, R231, R232

8 47S 47 70200012 47----1/8W--5%---smt

R110, R111, R113, R114, R115, R116,  
R117, R213

6 47V35S 70300079 47MFD--+/20%--35VDC--EL--SMT

C18, C21, C26, C27, C29, C438

1 51.1P1S 51.1P1 70200107 51.11/8W--1%---SMT 1206

R313

2 5PRC3J 5PRC3J 70600337 5C PRE-TIN .100 3" JMPR

J302, J400

7 6530S 6530 70418191 6530 SOT-23

Q100, Q200, Q202, Q203, Q300, Q301, Q302

1 680S 680 70200085 680--1/8W--1%---smt

R336

1 6DRHDR 6DRHDR 73717150 6 PIN D/R HDR,100,GOLD,230 PINS

HDR100

3 74HC595H 74HC595 70418172 8-B SHFT REG W/TRI-ST O/P (SO16) SMT

U400, U401, U402

1 BEAD4101 FB 70504101 BLM41A01-PT FERRITE CHIP

L1

1 CAB0183 70600183 70600183 8C--10"--IDC CABLE ASSM.--100 CTRS

J300

1 CS4826 CS4826 70418304 SOUNDGARDEN JR. DSP/CODEC, SMT

U100

1 EFX128 XXX128 70418484 128 KBIT EEPROM PROGRAMMED FOR EFX AMPS  
SMT

U103

2 ENC1224S ENC1224S 71322415 12MM 24-DETENT VERTICAL ENCODER W/SWITCH

EC20, EC22

1 ENC1224V ENC1224V 71322414 12MM 24-DETENT VERTICAL REO122 ENCODER

EC21

2 GLED8204 70418213 70418213 GREEN SMT LED, 2MM X 3MM

1 J174S J174 70418139 J-174 P-CHNL JFET 30V SOT-23

CR3001, CR3002

3 JMPH JMP 70200164 SURFACE MOUNT JUMPER 805

Q204

JP100, JP101, JP301

1 LM2594M5 LM2594M5 70418220 LM2594M-5.0,5V STEP-DOWN REGULATOR, SMT

U300

2 LM317S LM317 70418303 LM317 ADJUSTABLE REGULATOR SMT (TO-223)

VR300, VR301

16 RLED8204 70418204 70418204 RED SMT LED, 2MM X 3MM

CR1001, CR1002, CR1003, CR1004, CR1005,  
CR1006, CR1007, CR2001, CR2002, CR2003,  
CR2004, CR2005, CR2006, CR2007, CR3006,  
CR3007

1 R1CONN12 73716723 73716723 .098" WB/RA HEADER 12PIN SHROUDED

J301

1 SW2349 SW2349 71322349 SWITCH, SPST MOM. PUSH

SW200

7 TP XXXXXXXXXX XXXXXXXXXX

TP100, TP101, TP102, TP103, TP104,  
TP105, TP201

10 YLED8204 70418214 70418214 YELLOW SMT LED, 2MM X 3MM

CR3003, CR3004, CR3005, CR4001, CR4002,  
CR4003, CR4004, CR4005, CR4006, CR4007

\*\*\*\*\*  
\* END OF BILL OF MATERIALS REPORT \*  
\*\*\*\*\*