

Disassembling Instructions

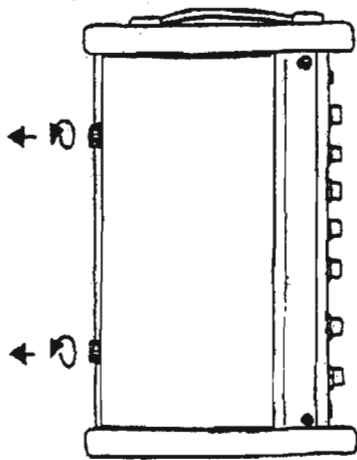


FIG. 1
Take off aerial-cover,
loosen 4 screws.

Screw = M4x14mm, Chrome x 2 PCS

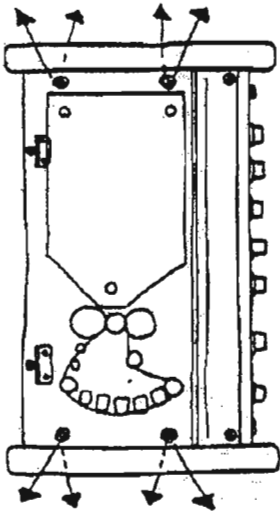


FIG. 2
Take off side-boards, loosening
4 screws.

Screw = M4x10mm, Black Nickel x 8 PCS

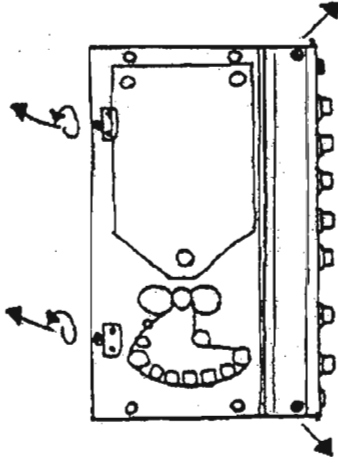


FIG. 3

Take off the tape running mechanics.

Screw = M3x5mm, Nickel --- x 2 PCS
= M3x6mm, Black Nickel x 2 PCS

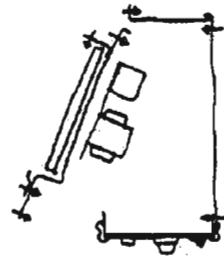
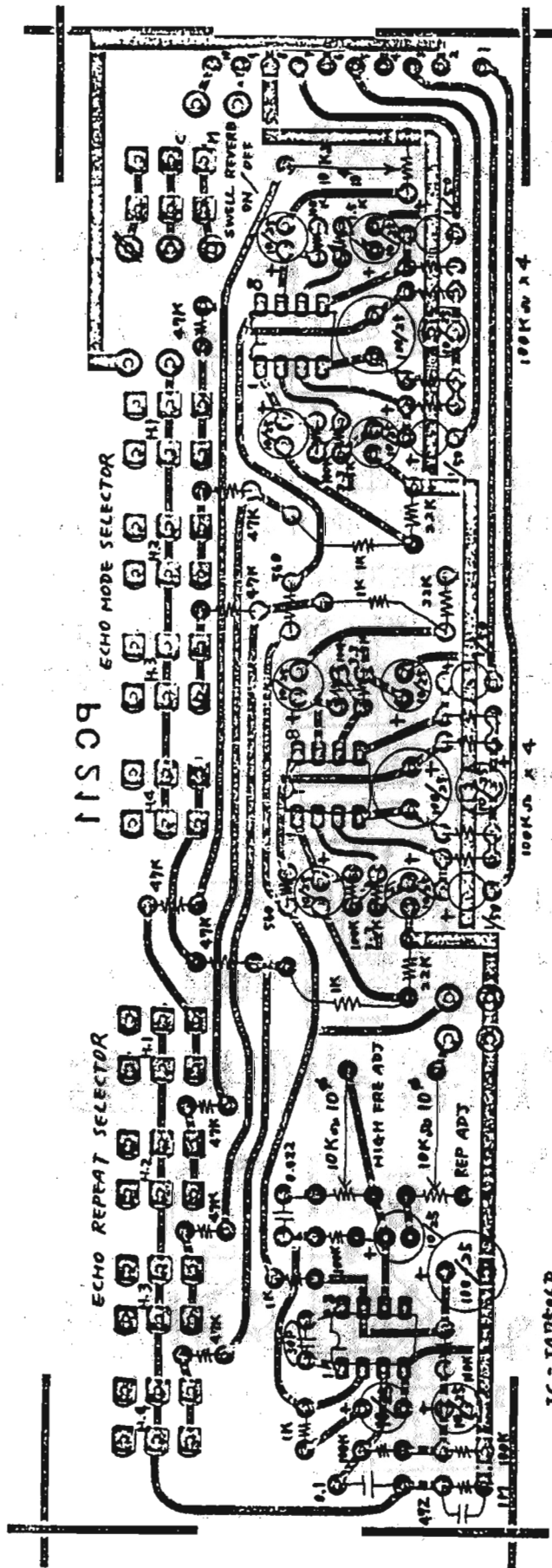


FIG 4

Multivox MX-201 / MX-312



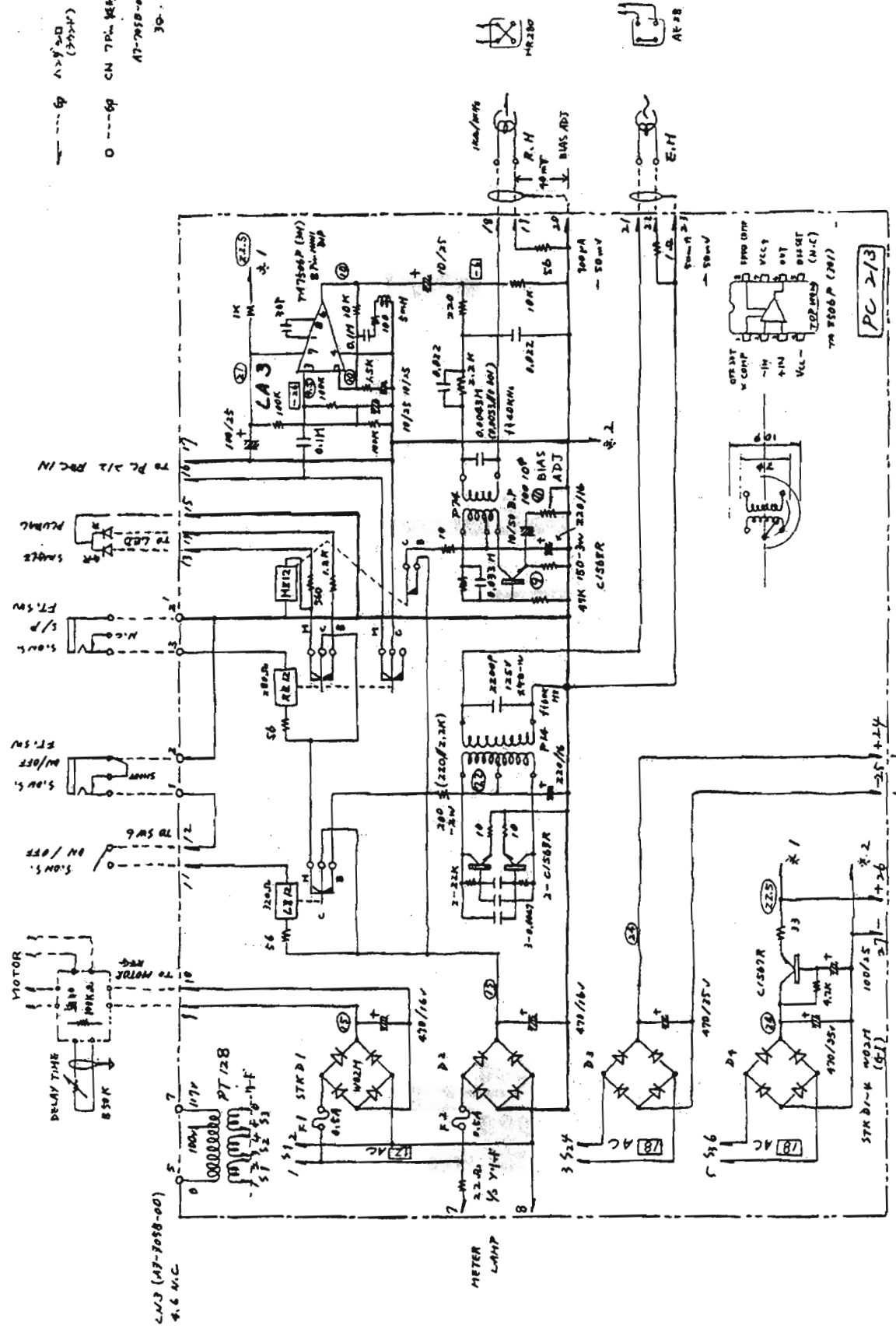
IC = TA7506P

IC = MA1458CTC
OR 4558D

IC = MA1458CTC
OR 4558D

PC-211 PARTS SIDE

--- 6P 1A25 2A0
 (2A02H)
 O --- 6P CN 7P2L 4E4
 AT-7428-00
 30.



○ A.C. VOLTAGE ± dB
 □ D.C. VOLTAGE TESTER ± 50mV/1V. D.C.

