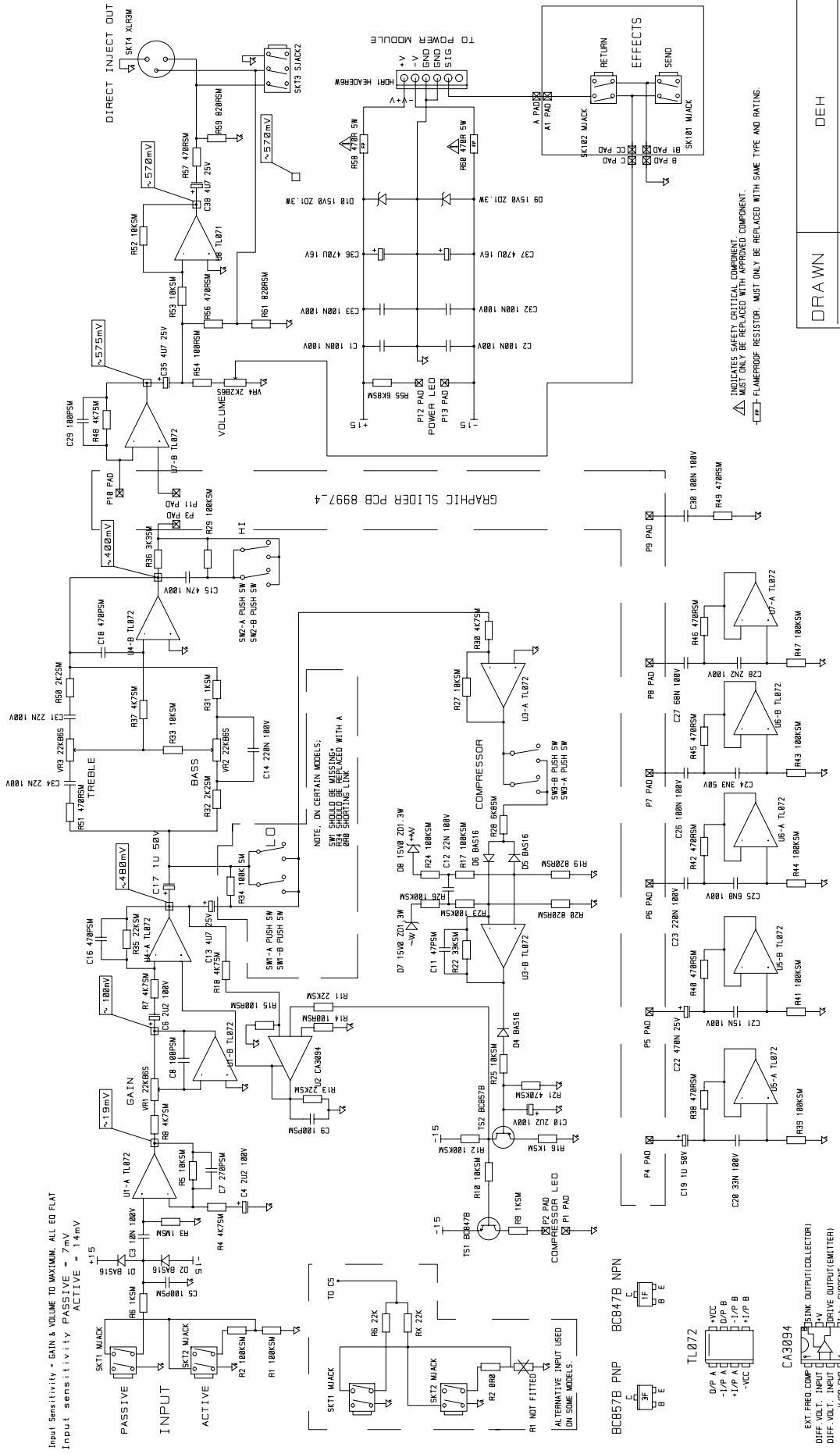


DRAWN	DEH
DATE	09/11/94
TITLE	GFX SLIDER BOARD
DRW. NO.	8997_4

ISSUE

TYPE

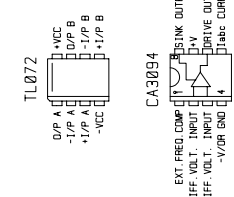
Input sensitivity * GAIN & VOLUME TO MAXIMUM, ALL EQ FLAT
 Input sensitivity PASSIVE = 7mV
 ACTIVE = 14mV



GRAPHIC SLIDER PCB 8997.4

NOTE: ON CERTAIN MODELS:
 SK1 SHOULD BE WELDED WITH A
 BRUSHING TOOL TO PREVENT
 BRUSH SHORTING LINK

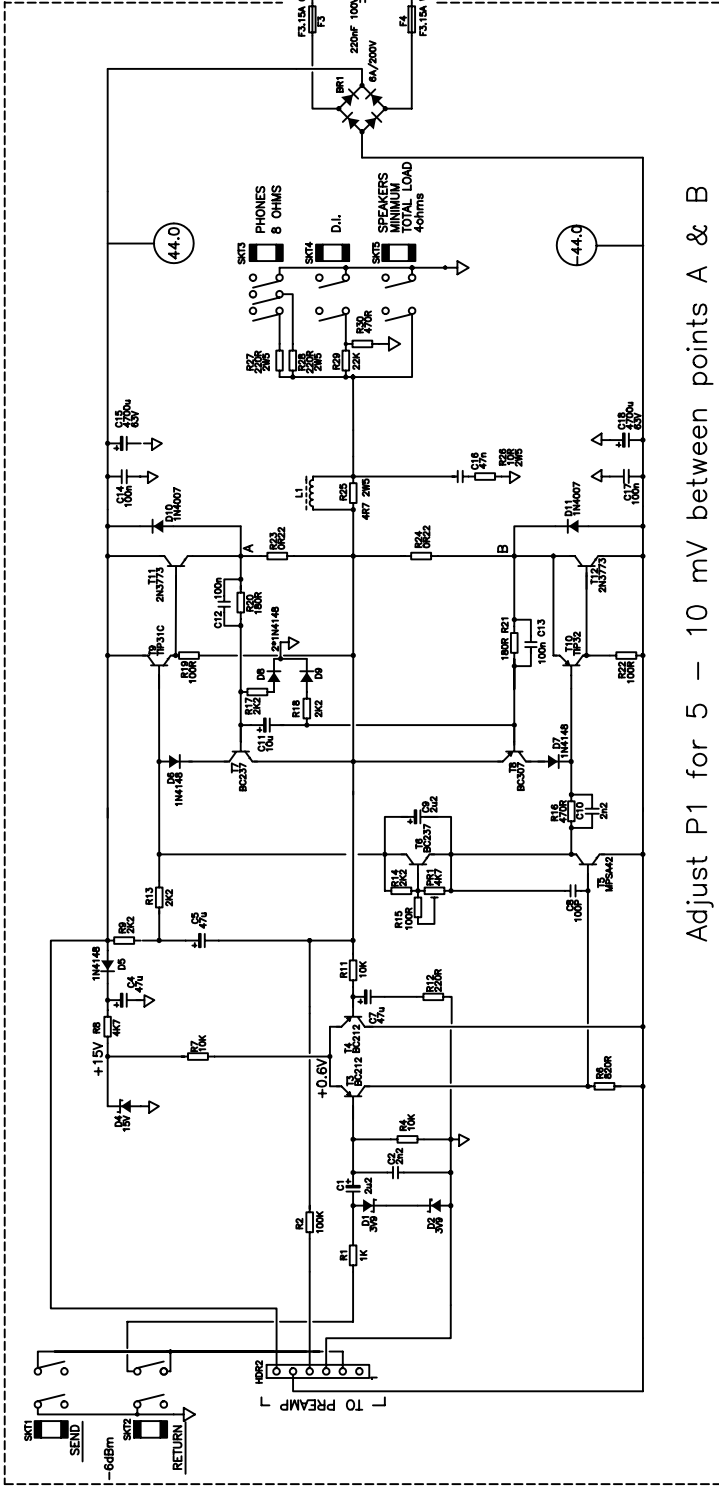
INDICATES SAFETY CRITICAL COMPONENT.
 MUST ONLY BE REPLACED WITH APPROVED COMPONENT.
 FLAMEPROOF RESISTOR. MUST ONLY BE REPLACED WITH SAME TYPE AND RATINGS.



DRAWN	DEH
DATE	12/3/99
TITLE	GRAPHIC BASS PREAMP
DRW. NO.	9057_3

ISSUE	ISSUE 3 24/02/98
TYPE	FX SOCKETS ADDED

USED IN :- BC- 120



Adjust P1 for 5 - 10 mV between points A & B

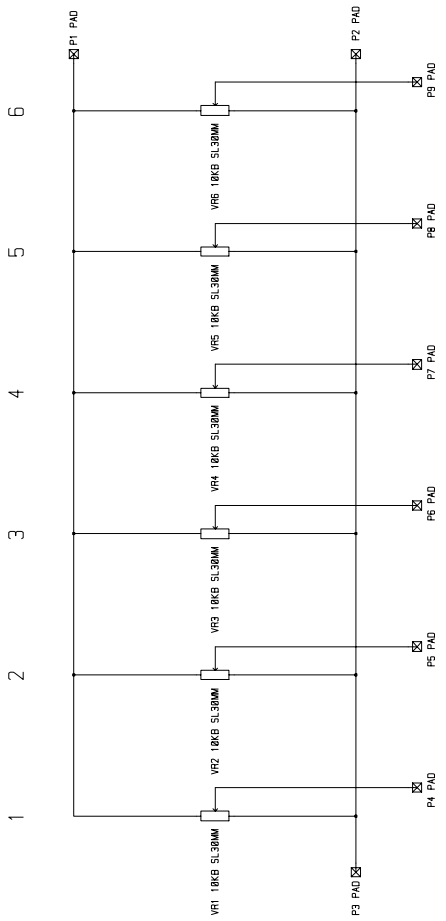
DWG.No. 2317

DRAWN	TRACED	CHECKED	APPROVED	DATE
S.L.				30/08/94
DRAWING No.				2317

TITLE	
120 WATT OUTPUT BOARD No. 8991 PART No	

ISSUE	DESCRIPTION	APPD. DATE
	220Vf Added across Tx secondary This should be soldered directed to the underside of the pcb	11/02/94

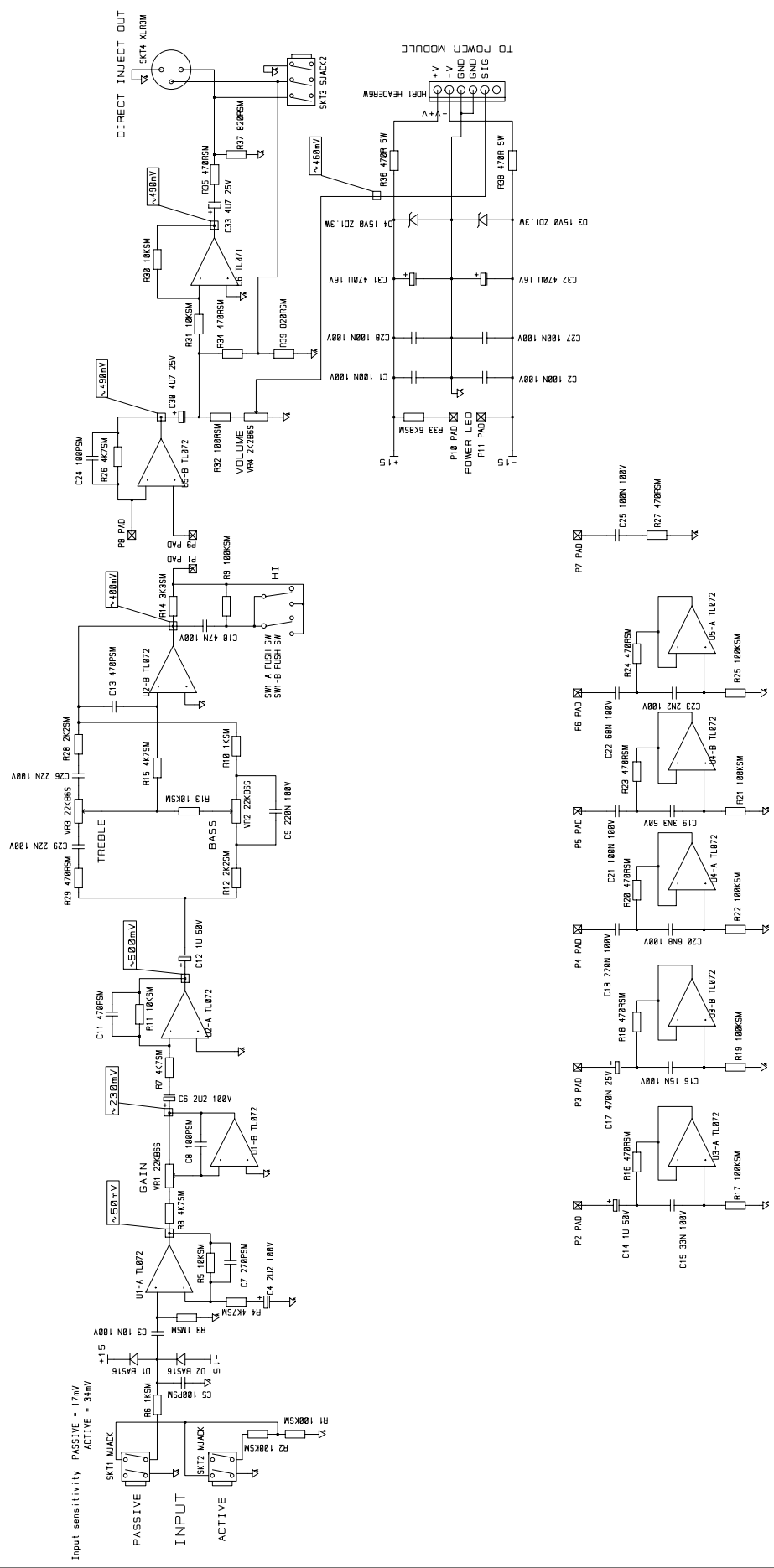
LANEY



DRAWN	DEH
DATE	09/11/94
TITLE	GFX SLIDER BOARD
DRW. NO.	8997_4

ISSUE

TYPE



Input sensitivity = GAIN & VOLUME TO MAXIMUM, ALL EQ SET FLAT

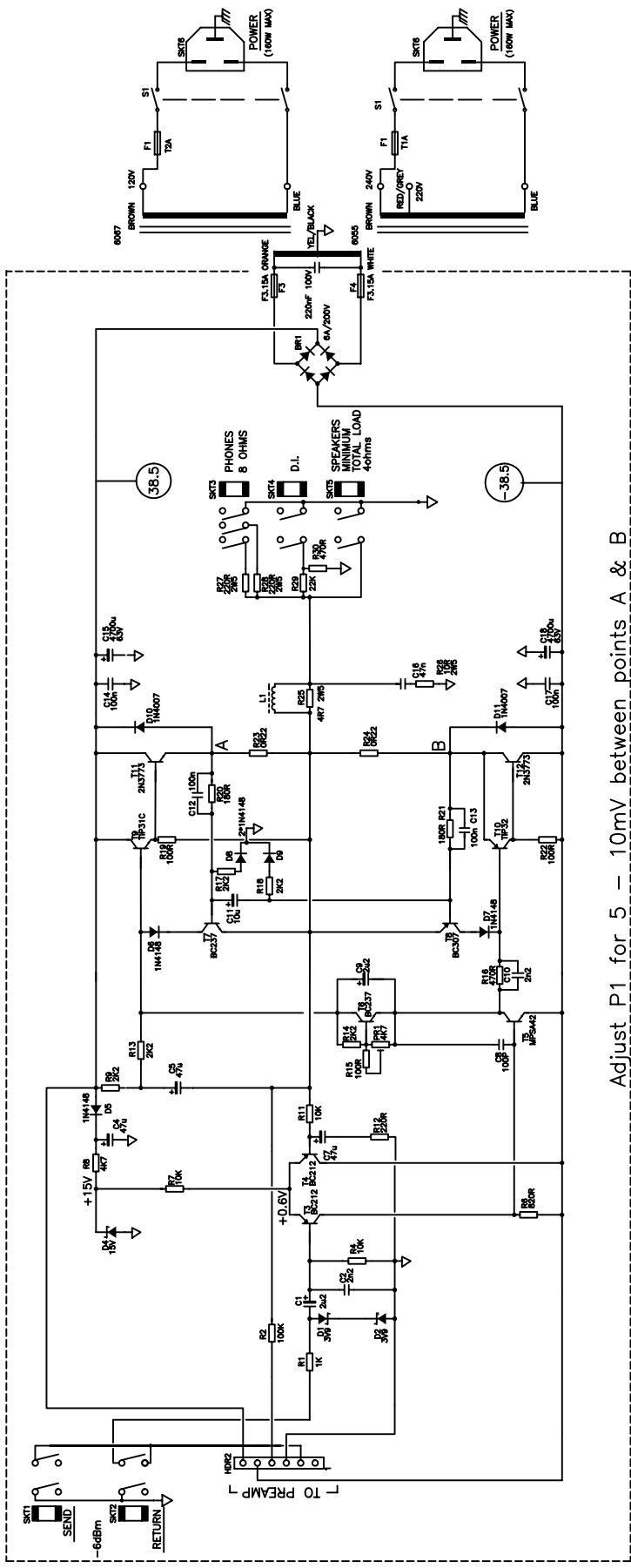
DRAWN	DEH
DATE	16/03/94
TITLE	LBC75 PREAMP
DRW. NO.	9063

ISSUE 10/06/94 CHANGE R11 TO 10KSM FROM 22KSM

TYPE

USED IN :- BC-75

DWG. No. 2318



Adjust P1 for 5 - 10mV between points A & B

ISSUE

DESCRIPTION

APPD. DATE

TITLE

80 WATT OUTPUT
BOARD No. 8991
PART No

DRAWN

S.L.

TRACED

CHECKED

APPROVED

DRAWING No.

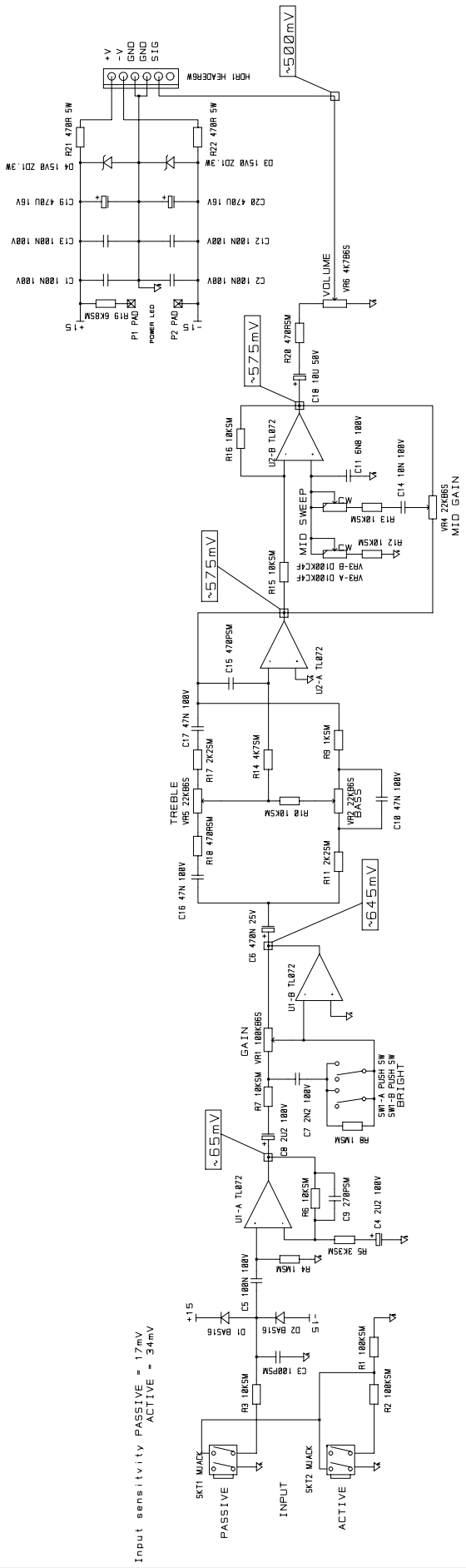
2318

DATE

30/08/94

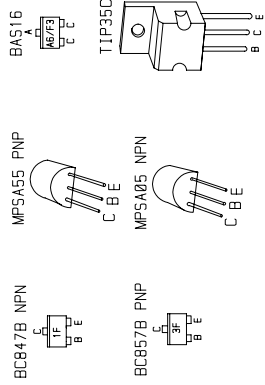
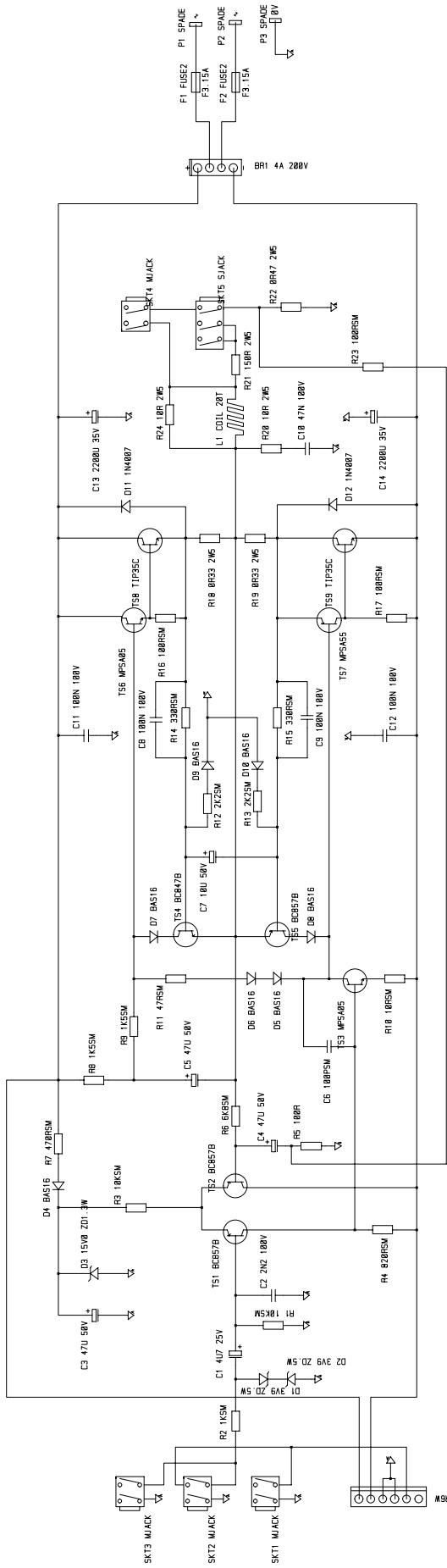
LANEY

200w Audio guitar TX Secondary
connected to the top of the p.d.



Input sensitivity = GAIN AND VOLUME TO MAXIMUM EQ SET TO FLAT

DRAWN	DEH	LBC50 PREAMP	9056_2
DATE	09/03/94		
ISSUE			
TYPE			

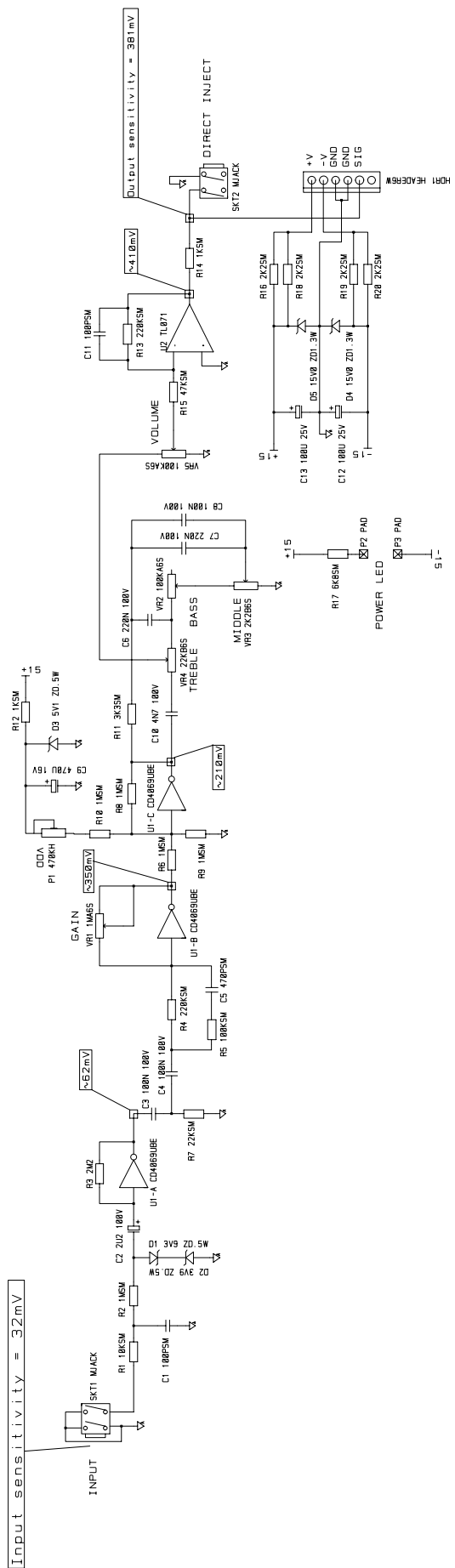


DRAWN	DEH
DATE	15/3/99
TITLE	50-65W OUTPUT MODULE
DRW. NO.	9074_2

NOTE: - BASIS VERSION R5-220R R22-LINK C13/14+3300U

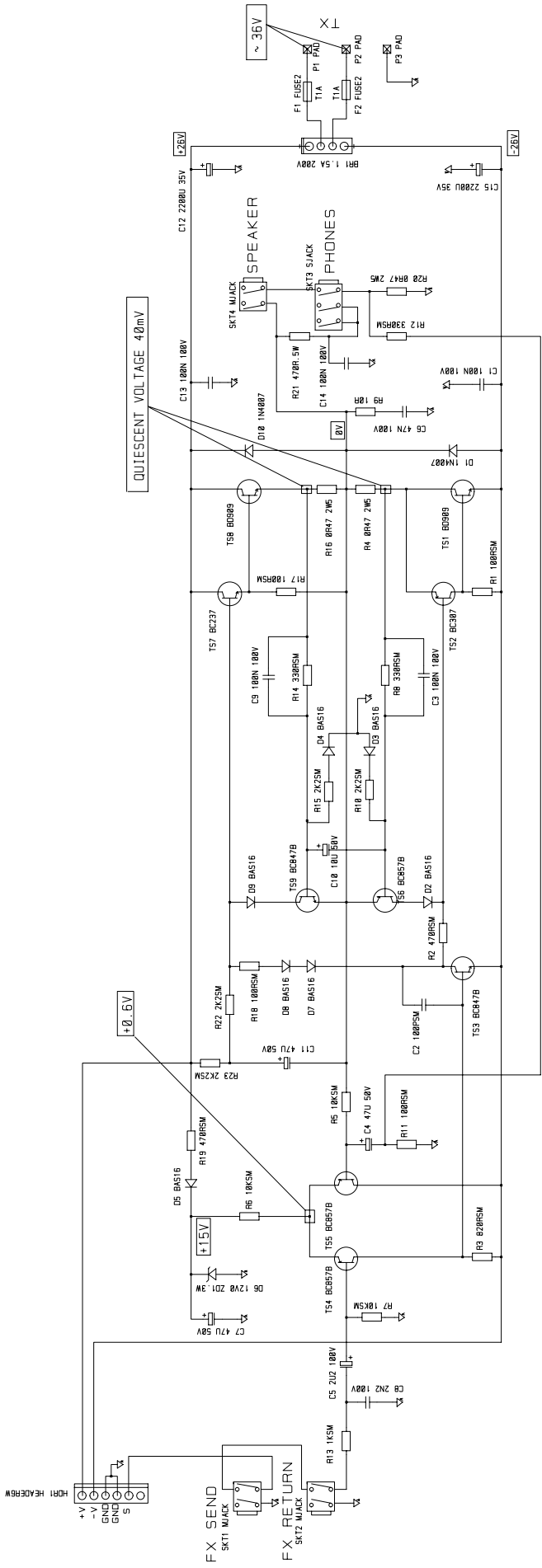
ISSUE

TYPE



Input sensitivity = GAIN, MID, TREBLE & VOLUME TURNED UP FULL

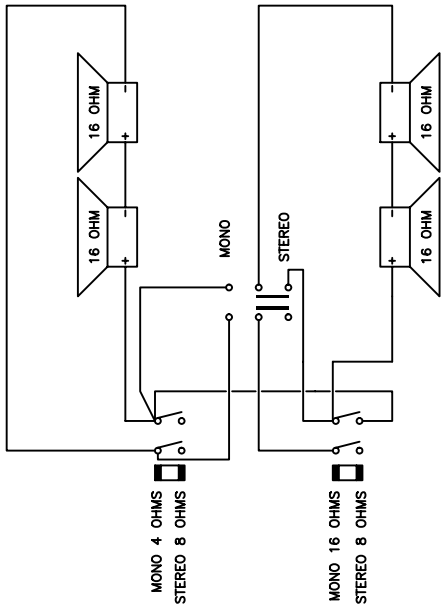
DRAWN	DEH
DATE	14/03/94
TITLE	LBC30 PREAMP
ISSUE	
TYPE	
DRW. NO.	9055_2



DRAWN	DEH
DATE	14/03/94
TITLE	LGC/LBC30 OUTPUT
DRW. NO.	9059_2

R14, T5, 100R TO 330R
22/04/94
DEH

ISSUE	
TYPE	



DRAWN	TRACED	CHECKED	APPROVED	DATE
D.E.H.				14/07/92
DRAWING No.			2063	

TITLE
Stereo 4 * 12
Switching Circuit
PART No

ISSUE	DESCRIPTION	APPD.	DATE

LANEY