

| REVISIONS | | | |
|-----------|-----------------------------------|----------|----------|
| REV | DESCRIPTION | DATE | APPROVED |
| 1 | PROTOTYPE RELEASE | | |
| 2 | PROTOTYPE RELEASE | | |
| 3 | PROTOTYPE RELEASE | | |
| 4 | PROTOTYPE RELEASE | | |
| A | PRODUCTION RELEASE PER EDR 42-528 | | |
| B | REVISED PER ECO 3035 | 01-17-95 | AKS |
| C | REVISED PER ECO 3063 | 03-29-95 | AKS |
| D | REVISED PER ECO 3088 | 5-17-95 | AKS |

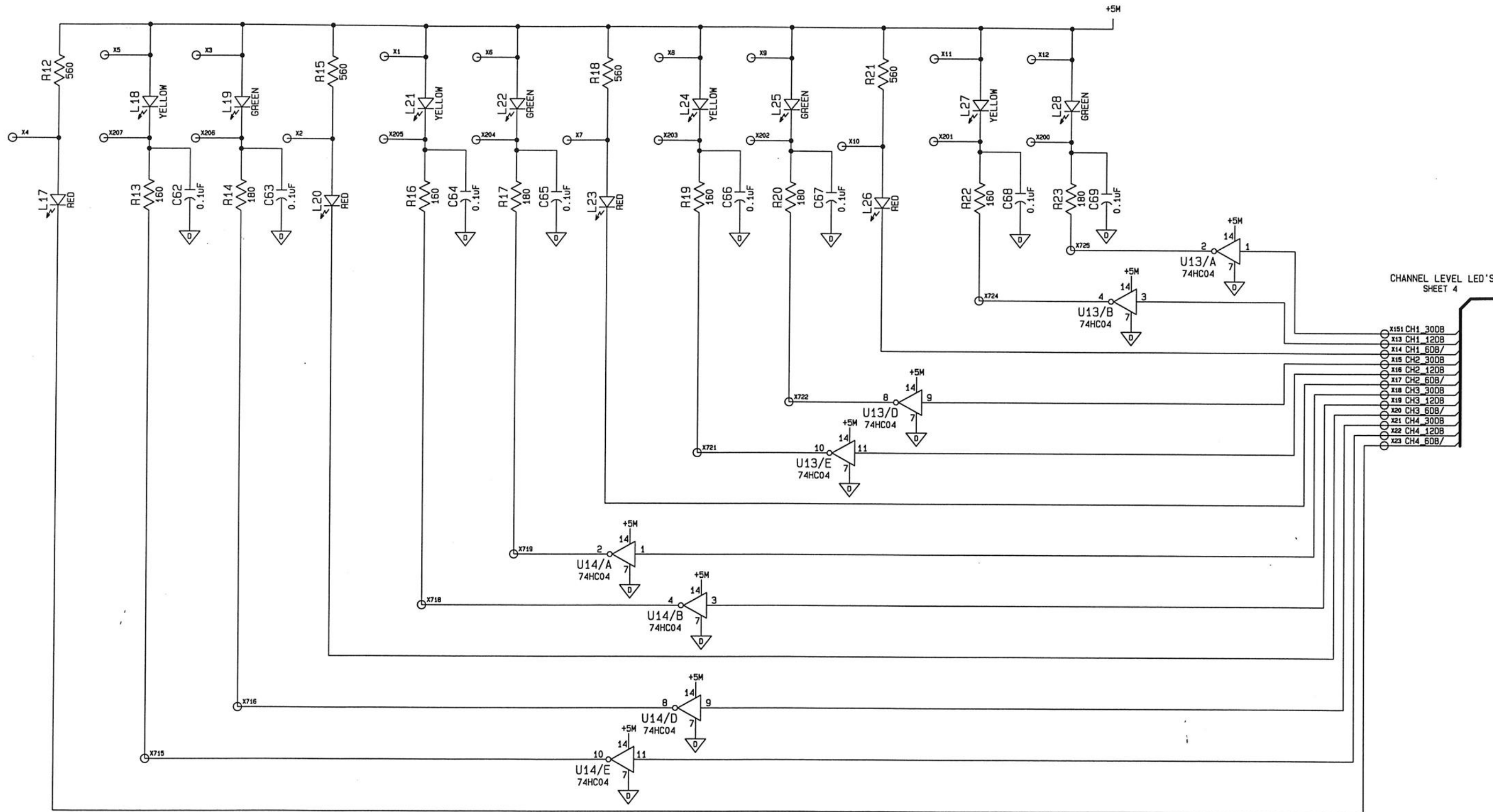
- SHT 1 COVER SHEET
- SHT 2 INPUT LEVEL LED'S AND POWER CAPS
- SHT 3 INPUT / OUTPUT LEVEL CONTROLS
- SHT 4 DISPLAY, BUTTONS / LEDS
- SHT 5 MUTE, MIC / LINE CONTROLS

2. ALL CAPACITOR VALUES ARE IN MICROFARADS, 16V MINIMUM.
 1. ALL RESISTOR VALUES ARE IN OHMS, 1/10W 5%.

NOTES - UNLESS SPECIFIED OTHERWISE:

COVER SHEET

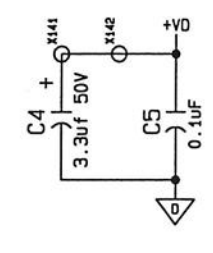
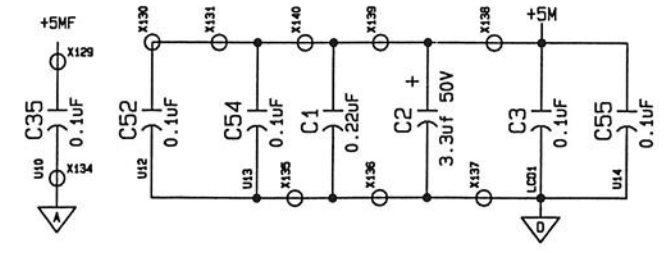
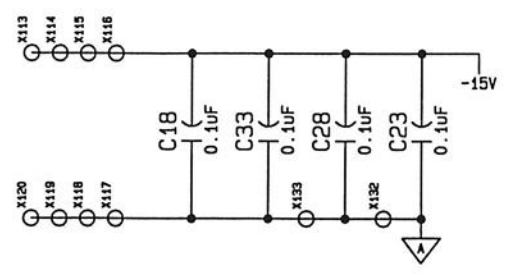
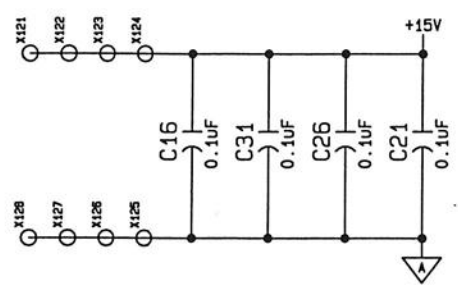
| | | | | | |
|--|--|----------|------------|--|--|
| ENSONIQ Corp 155 GREAT VALLEY PKWY, MALVERN PA 19355 | | | | | |
| APPROVALS | | DATE | | PCB SCHEMATIC KEYPAD / DISPLAY DP-4+ | |
| DWN BY: BAVL | | 05-02-94 | | | |
| CHKD BY: | | | | | |
| APPD BY: | | SIZE | DWG. NO. | REV | |
| | | B | 4010024101 | D | |
| USED ON: DP-4+ | | SCALE | — | SHEET 1 OF 5 | |



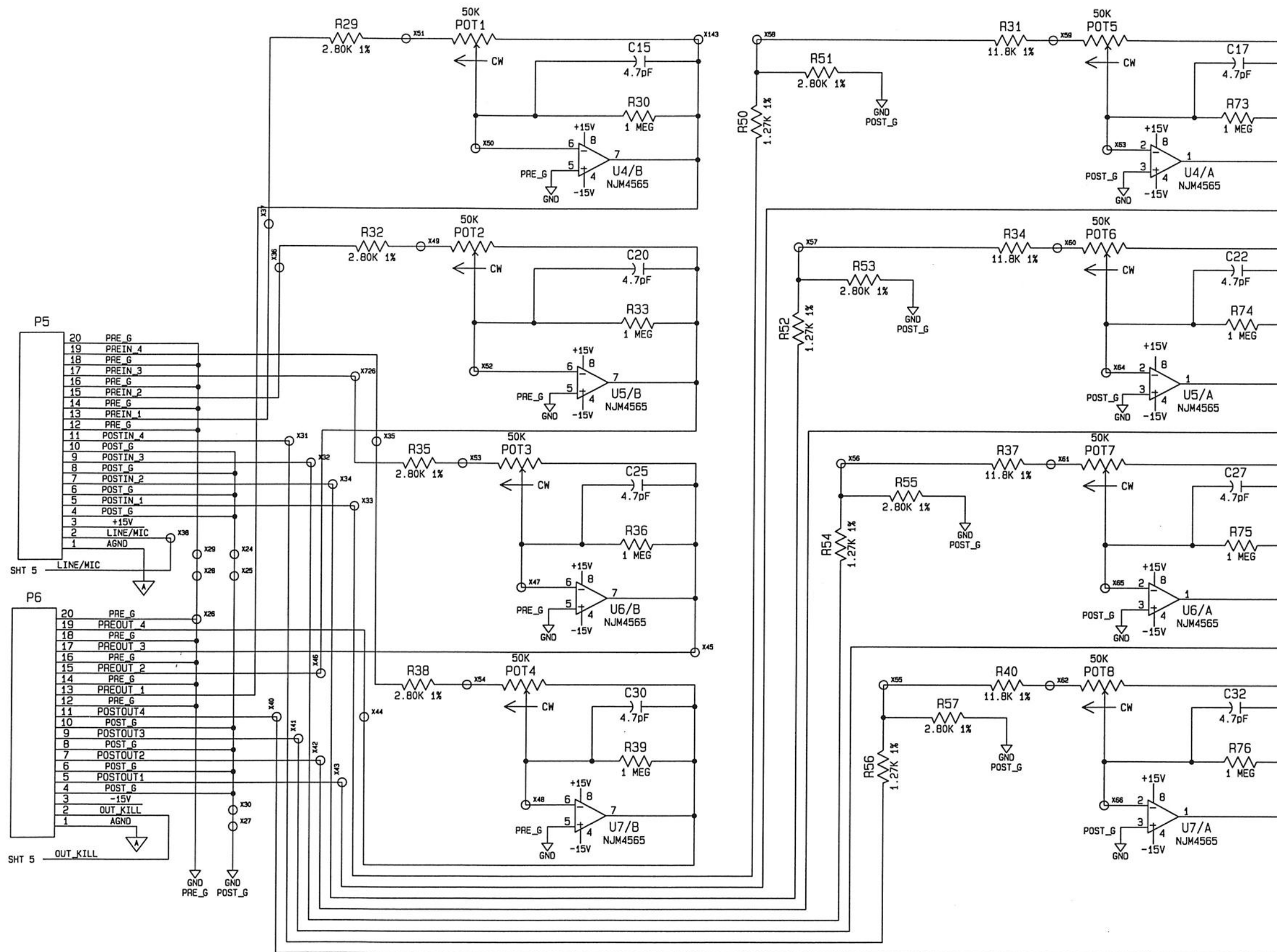
CHANNEL LEVEL LED'S
SHEET 4

- X151 CH1_300B
- X13 CH1_120B
- X14 CH1_60B/
- X15 CH2_300B
- X16 CH2_120B
- X17 CH2_60B/
- X18 CH3_300B
- X19 CH3_120B
- X20 CH3_60B/
- X21 CH4_300B
- X22 CH4_120B
- X23 CH4_60B/

INPUT LEVEL LED'S & POWER CAPS.



| | | | | |
|--|------------------------|----------|------------|---------|
| ENSONIQ Corp | | | | |
| PCB SCHEMATIC KEYPAD / DISPLAY DP-4+ | | | | |
| SIZE B | DWG. NO. 4010024101 | REV D | SHEET 2 | OF 5 |

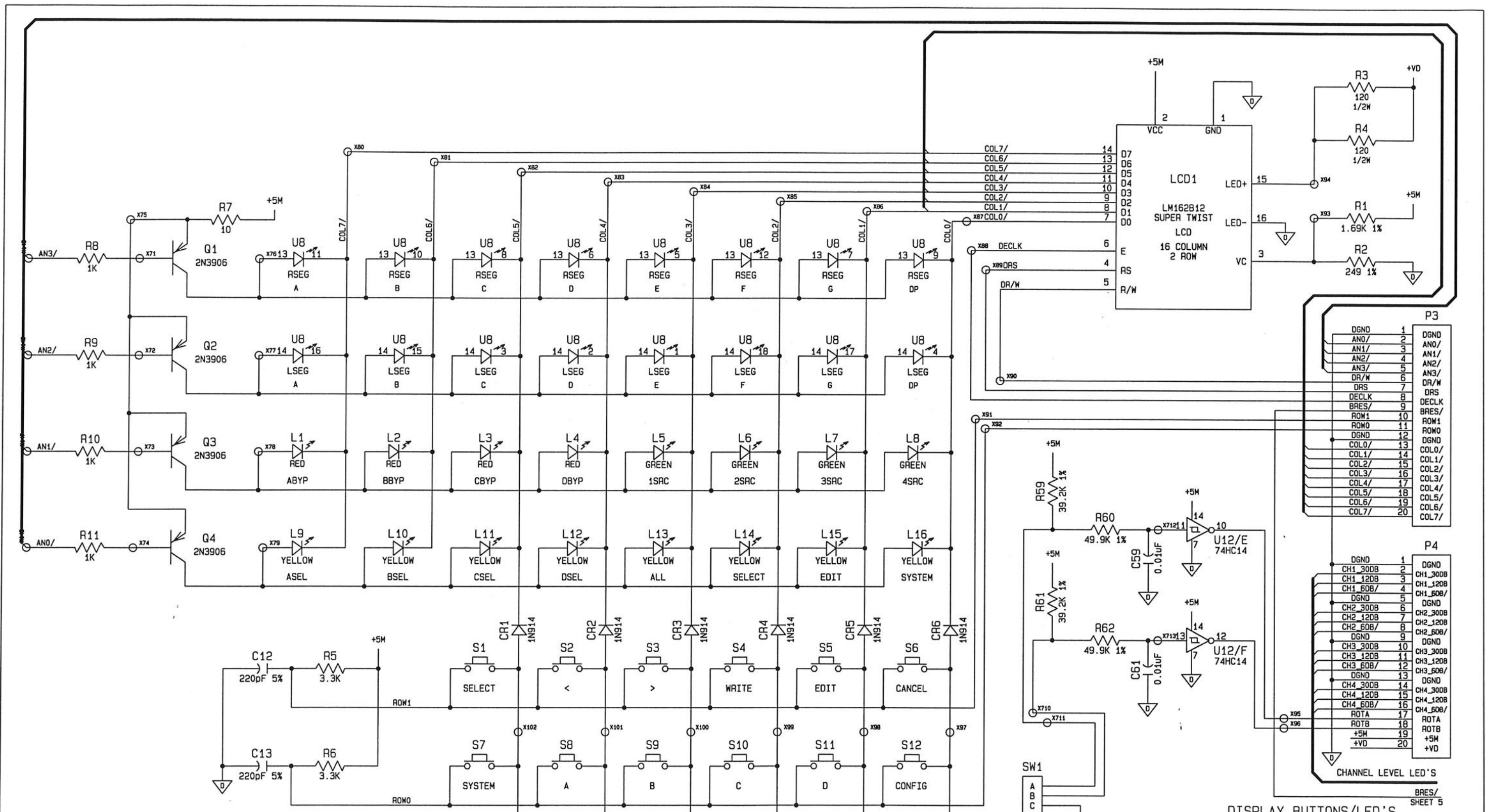


INPUT/OUTPUT LEVEL CONTROLS

ENSONIQ Corp

PCB SCHEMATIC
KEYPAD / DISPLAY
DP-4+

| SIZE | DWG. NO. | REV | SHEET | OF |
|------|------------|-----|-------|----|
| B | 4010024101 | D | 3 | 5 |



DISPLAY, BUTTONS/LED'S

ENSONIQ Corp
 PCB SCHEMATIC
 KEYPAD / DISPLAY
 DP-4+

| SIZE | DWG. NO. | REV | SHEET | OF |
|------|------------|-----|-------|----|
| B | 4010024101 | D | 4 | 5 |

P3

| | | |
|-------|----|-------|
| DGND | 1 | DGND |
| AN0/ | 2 | AN0/ |
| AN1/ | 3 | AN1/ |
| AN2/ | 4 | AN2/ |
| AN3/ | 5 | AN3/ |
| DR/W | 6 | DR/W |
| DRS | 7 | DRS |
| DECLK | 8 | DECLK |
| BRES/ | 9 | BRES/ |
| ROW1 | 10 | ROW1 |
| ROW0 | 11 | ROW0 |
| DGND | 12 | DGND |
| COL0/ | 13 | COL0/ |
| COL1/ | 14 | COL1/ |
| COL2/ | 15 | COL2/ |
| COL3/ | 16 | COL3/ |
| COL4/ | 17 | COL4/ |
| COL5/ | 18 | COL5/ |
| COL6/ | 19 | COL6/ |
| COL7/ | 20 | COL7/ |

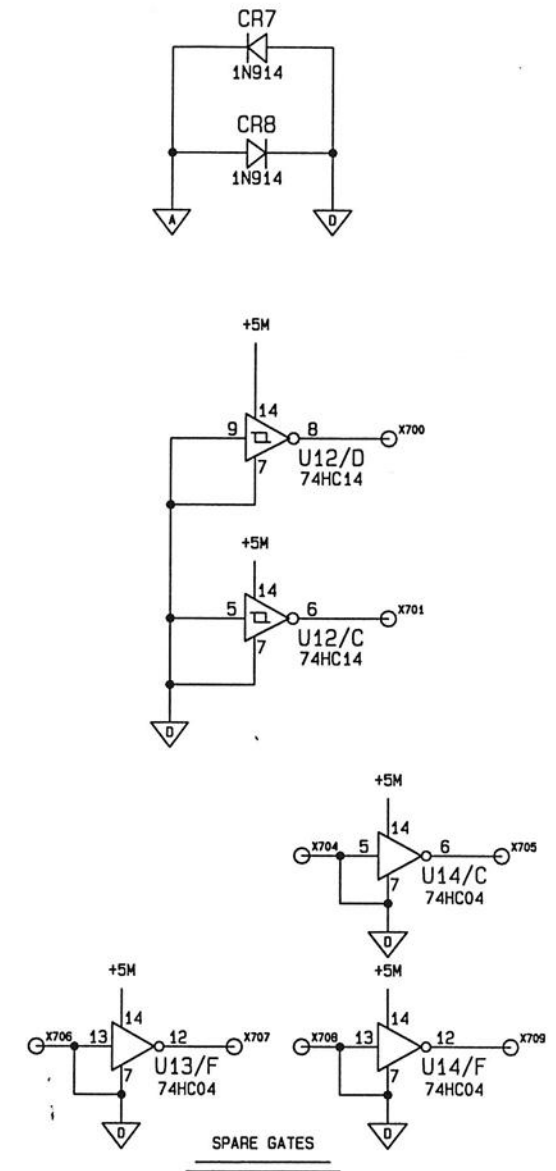
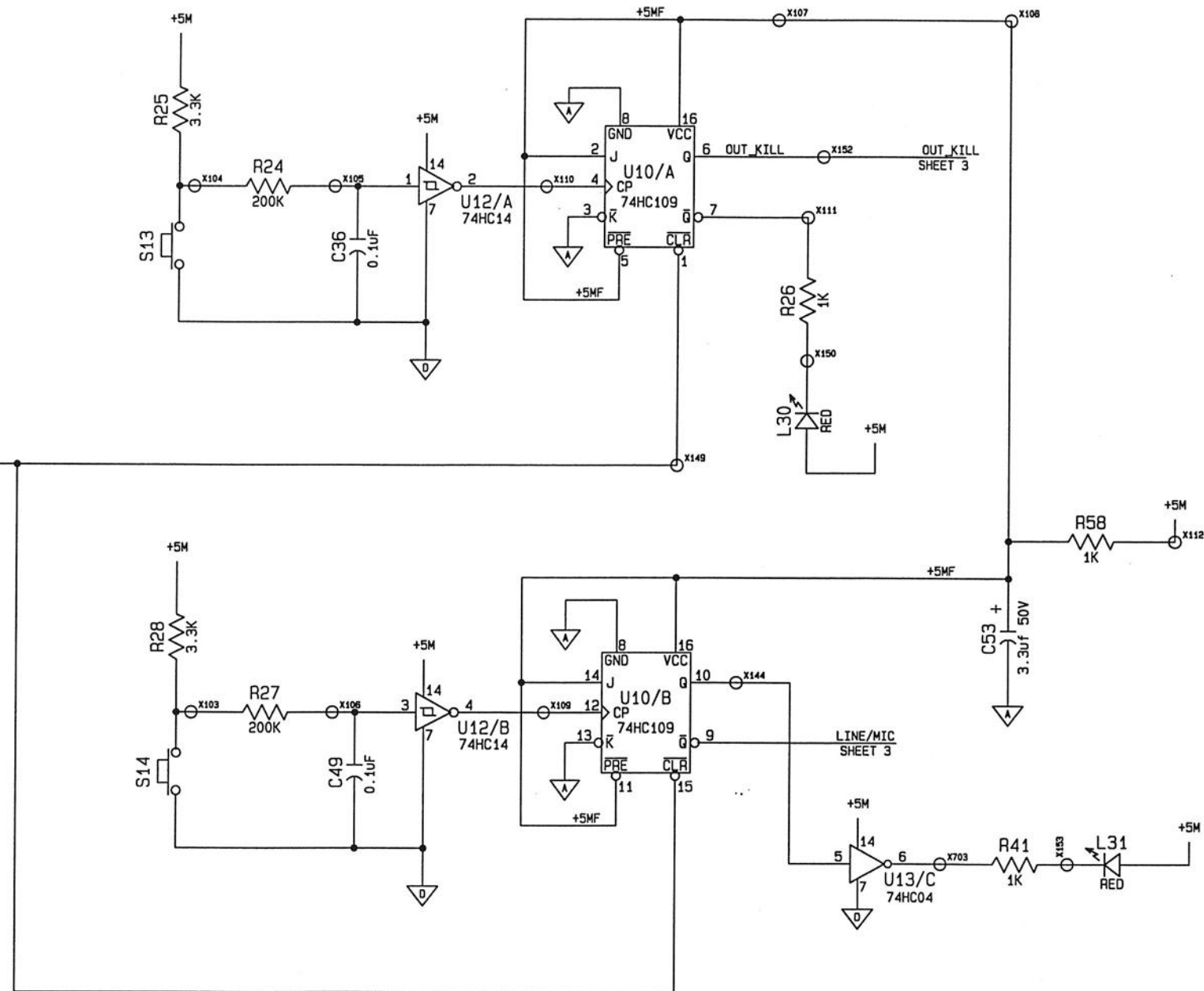
P4

| | | |
|----------|----|----------|
| DGND | 1 | DGND |
| CH1_300B | 2 | CH1_300B |
| CH1_120B | 3 | CH1_120B |
| CH1_60B/ | 4 | CH1_60B/ |
| DGND | 5 | DGND |
| CH2_300B | 6 | CH2_300B |
| CH2_120B | 7 | CH2_120B |
| CH2_60B/ | 8 | CH2_60B/ |
| DGND | 9 | DGND |
| CH3_300B | 10 | CH3_300B |
| CH3_120B | 11 | CH3_120B |
| CH3_60B/ | 12 | CH3_60B/ |
| DGND | 13 | DGND |
| CH4_300B | 14 | CH4_300B |
| CH4_120B | 15 | CH4_120B |
| CH4_60B/ | 16 | CH4_60B/ |
| ROTA | 17 | ROTA |
| ROTB | 18 | ROTB |
| +5M | 19 | +5M |
| +VD | 20 | +VD |

CHANNEL LEVEL LED'S

BRES/ SHEET 5

BRES/
SHEET 4



MUTE, MIC/LINE CONTROLS

| | | | | |
|--|------------|-----|-------|----|
| ENSONIQ Corp | | | | |
| PCB SCHEMATIC KEYPAD / DISPLAY DP-4+ | | | | |
| SIZE | DWG. NO. | REV | SHEET | OF |
| B | 4010024101 | D | 5 | 5 |