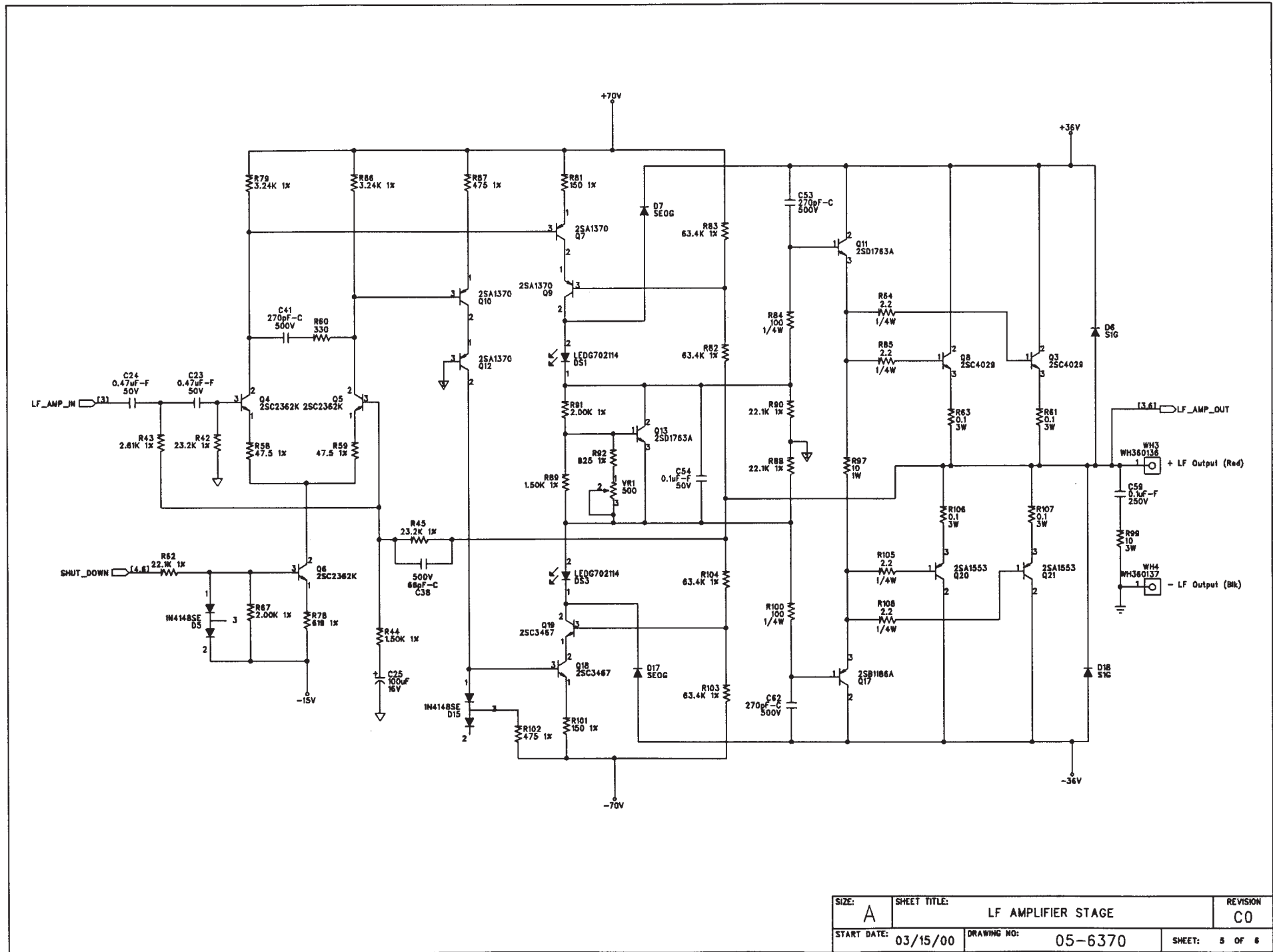


JBL EON15-G2



SIZE: A	SHEET TITLE: LF AMPLIFIER STAGE	REVISION: C0
START DATE: 03/15/00	DRAWING NO: 05-6370	SHEET: 5 OF 6