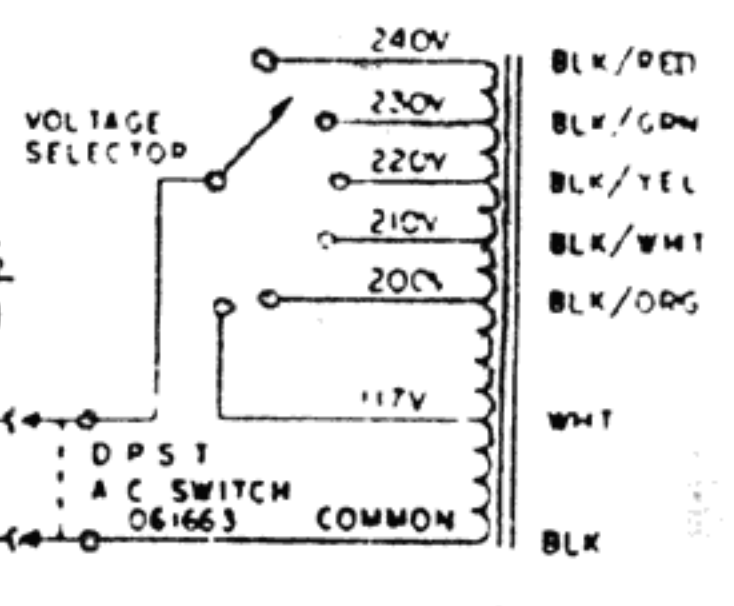


FENDER P/N	ON EXPORT MODEL
022764	TR1-125P34AY
022756	TR1-125P34A
022699	TR2-125C1A
022899	TR3-125A29A
022921	TR4-125A20A



FENDER MUSICAL INSTRUMENTS
 CBS MUSICAL INSTRUMENTS
 A DIVISION OF COLUMBIA BROADCASTING SYSTEMS INC.
 FULLERTON, CALIFORNIA
 U.S.A.

PART NO. 010870 USED IN SOME VERSIONS.
 WITH ALL CONTROLS SET AT MAXIMUM, (10 MV) DENOTES, TYPICAL 4000 Hz SIGNAL REQUIRED FOR 10 WATTS OUTPUT AND FOR SUPPLYING 280 MV TO REVERB UNITS INPUT COIL. (17 MV) DENOTES REVERB DRIVER SIGNAL, EXCLUSIVELY. VOLUME, BASS, AND TREBLE, CONTROLS ARE FENDER P/N 021857, VALUE 250K-J. FENDER P/N FOR CONTROLS INDICATED. ALL CAPACITORS AT LEAST 600V, W.V.D.C. ALL RESISTORS ARE 1/2 WATTS ± 10%. 1. SAMPLES OF FIRST ARTICLE PARTS MUST BE APPROVED BY CBS R.E.D. ENG. BEFORE STARTING PRODUCTION. LESS OTHERWISE SPECIFIED.

NOTE GROUND SWITCH, UL 047 600V DELETED.

UNLESS OTHERWISE SPECIFIED		DWG. ROSALES		CBS	
REVISIONS	DATE	7/3/72		MUSICAL INSTRUMENTS	
1	011			FULLERTON, CALIFORNIA	
2	011			— SCHEMATIC —	
3	011			100 WATTS RMS PUBLIC	
4	011			ADDRESS AMP TURE TYPE	
5	011			REL. NO. 01116	
6	011			REV. DATE 01116	
7	011			MATERIAL	
8	011			V. 633 D 01116	
9	011			C.F.A. 7310	
10	011			REV. 1 19 1	