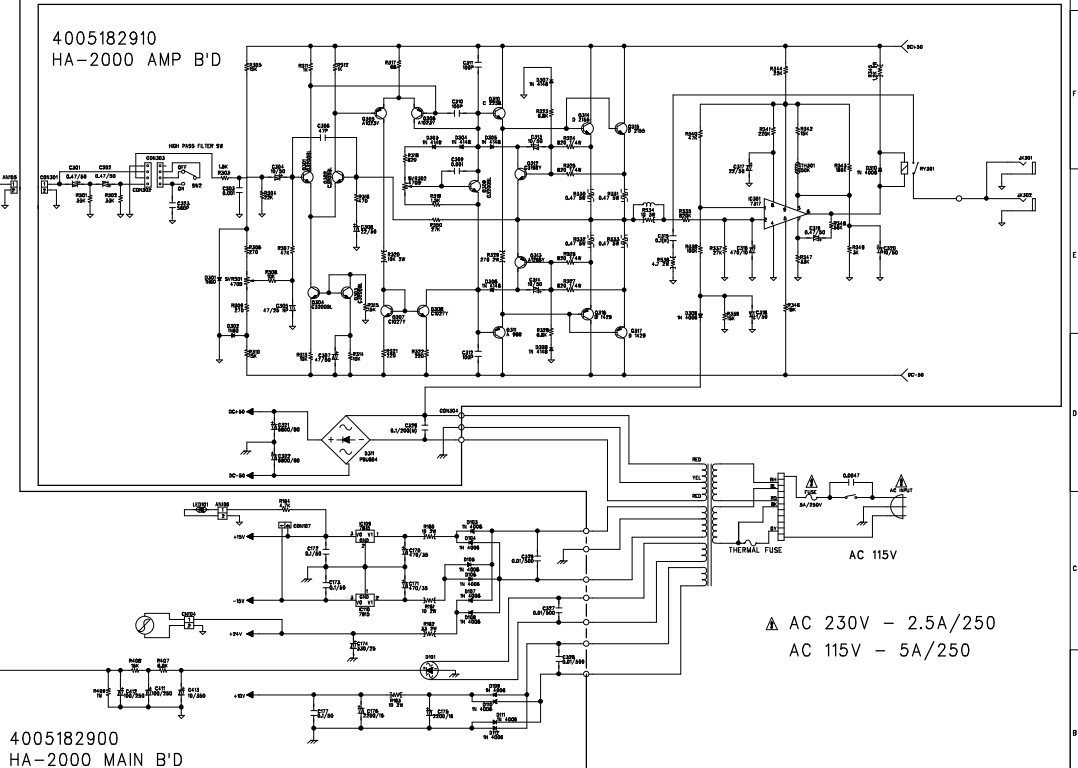
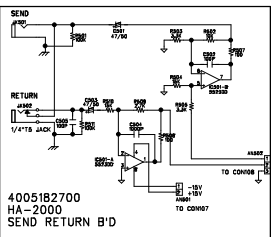
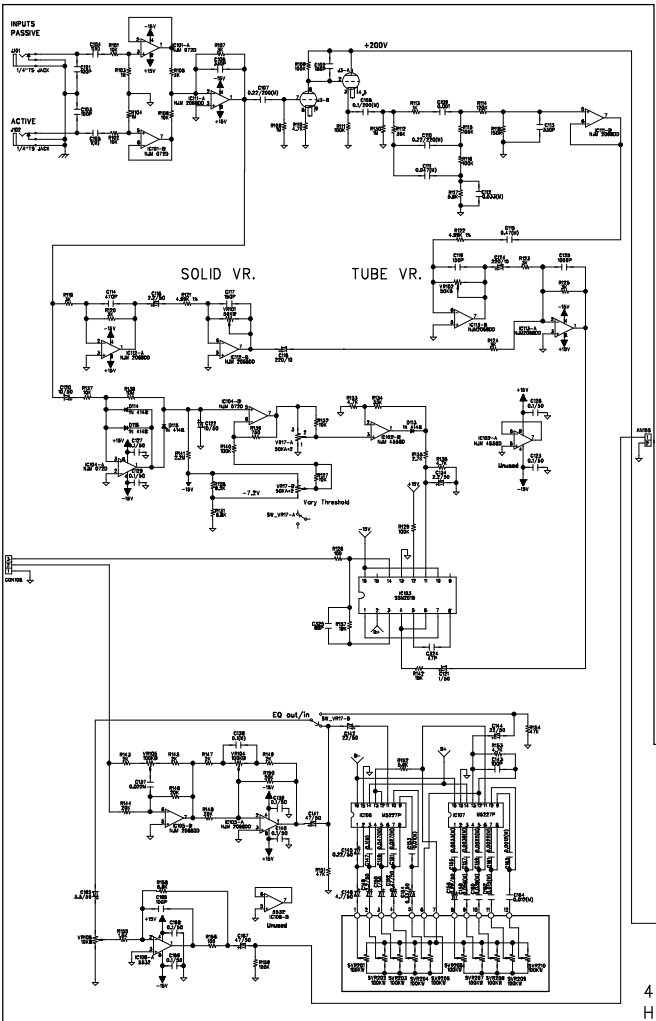


COMPANY	SAMSON	APPLICANT	REVISED NUMBER AND DATE		DESIGNED	CHECKED	APPROVED	NOTE
TYPE CODE	PS		A.	B.	G.	H.	I.	
APPROVED DATE	01.11.30		C.	D.	J.	K.	L.	S.K. KO



△ AC 230V - 2.5A/250
AC 115V - 5A/250