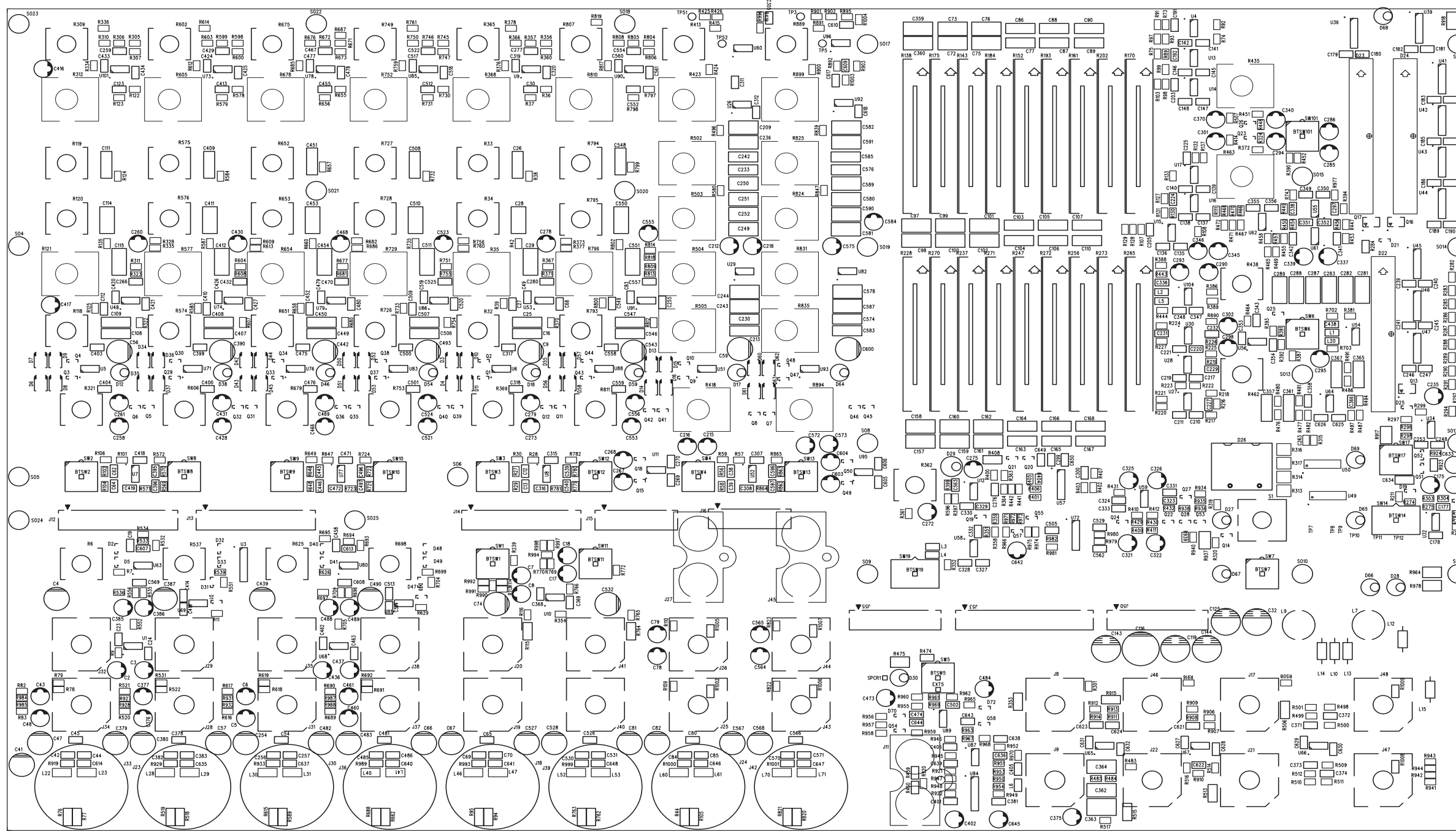
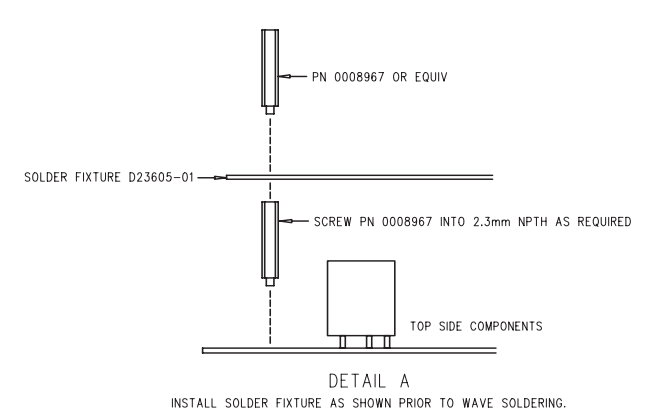
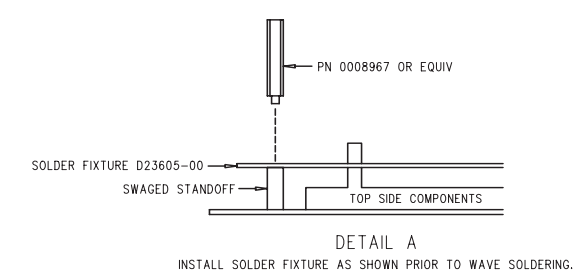



ASSEMBLY TOP



Loud Technologies 0023604-00 Rev:A00

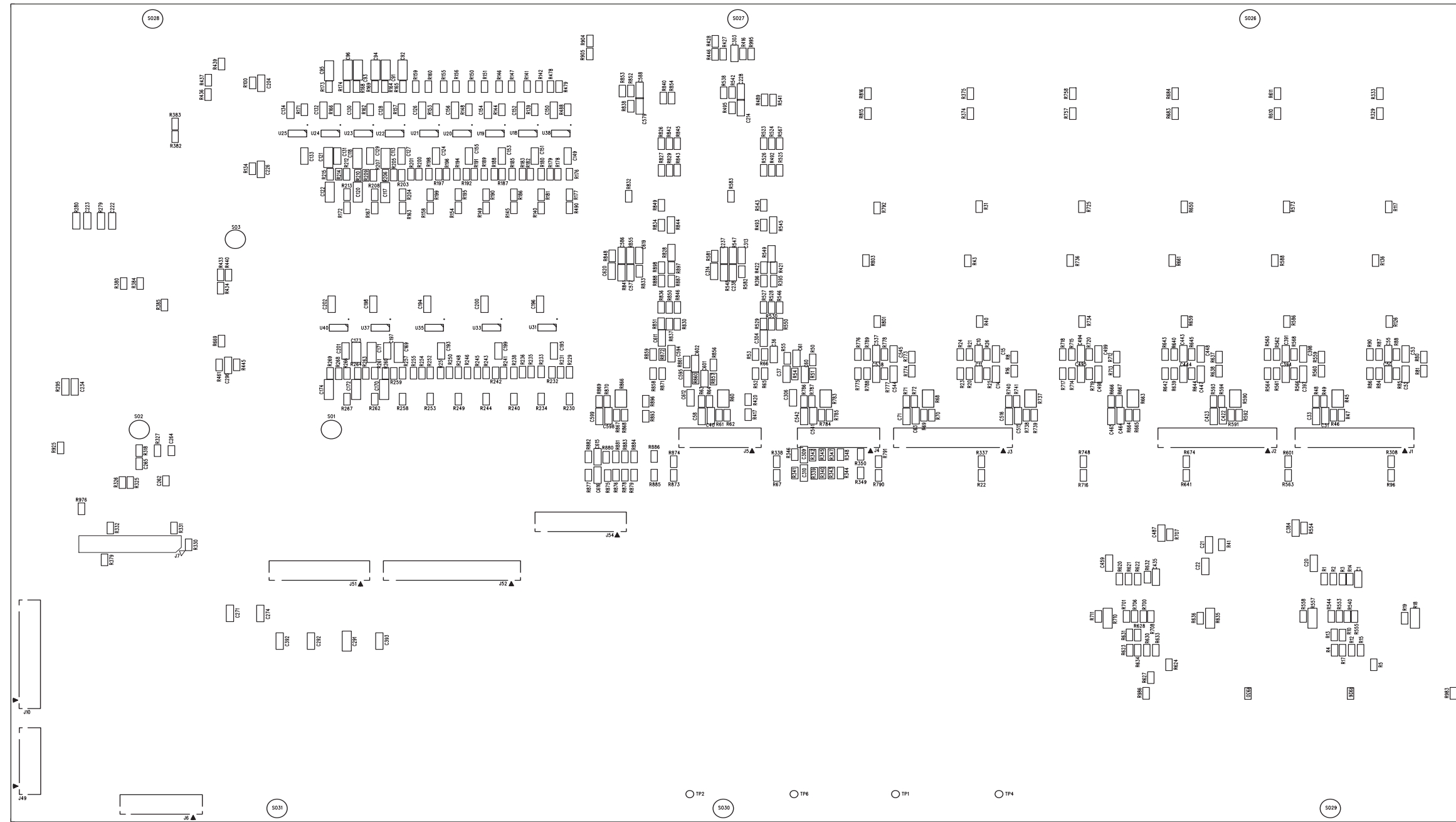


©2007 LOUD TECHNOLOGIES INC.
ALL RIGHTS RESERVED
THE INFORMATION CONTAINED HEREIN
IS PROPRIETARY AND CONFIDENTIAL
PROPERTY OF LOUD TECHNOLOGIES INC.

| | | | |
|--|------------------|----------|---|
| UNLESS OTHERWISE SPECIFIED DIMENSIONS ARE IN INCHES TOLERANCES ARE: FRACTIONS: DECIMALS: ANGLES: ± NA .XX ± NA ± NA .XXX ± NA | APPROVALS | DATE |  LOUD Technologies Inc. 16220 WOOD-RED RD NE WOODINVILLE, WA 98072 |
| | DRAWN: mfp | 03-21-07 | |
| MATERIAL: | CHECKED: | | PCB ASSY, BIG BOX FRONT |
| | NP ENGINEERING: | | |
| FINISH: | MATERIAL: | | SIZE SCALE: DWG. NO. 0023605-00 REV. AXX DWG FILE: SHEET 1 OF 2 |
| | MFG ENGINEERING: | | |
| DO NOT SCALE DRAWING | ISSUED: | | |

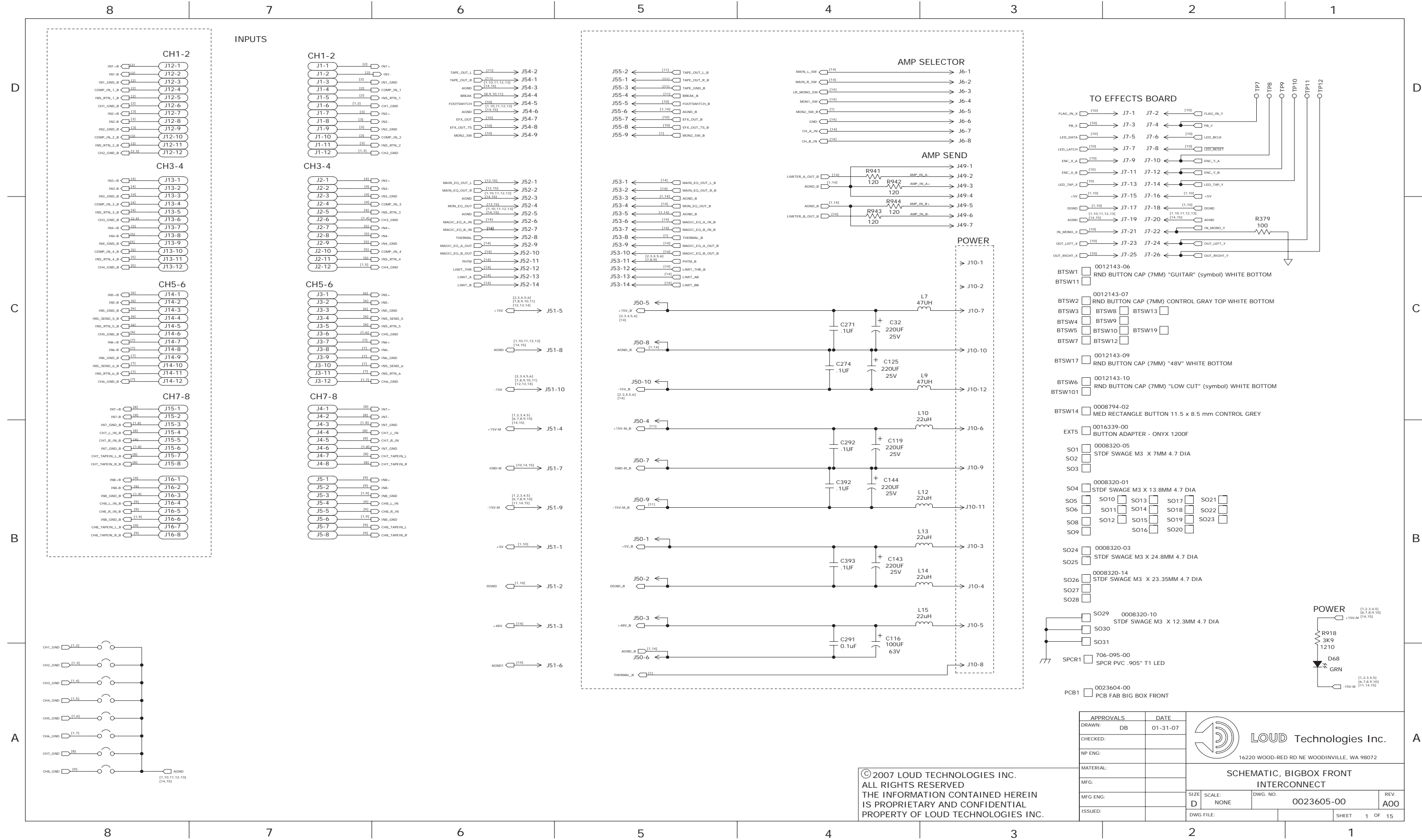
| REVISIONS | | | | | |
|-----------|------|-------------|----------|----------|------|
| ECO# | REV. | DESCRIPTION | REV. BY: | APP. BY: | DATE |
| | | | | | |

ASSEMBLY BOTTOM



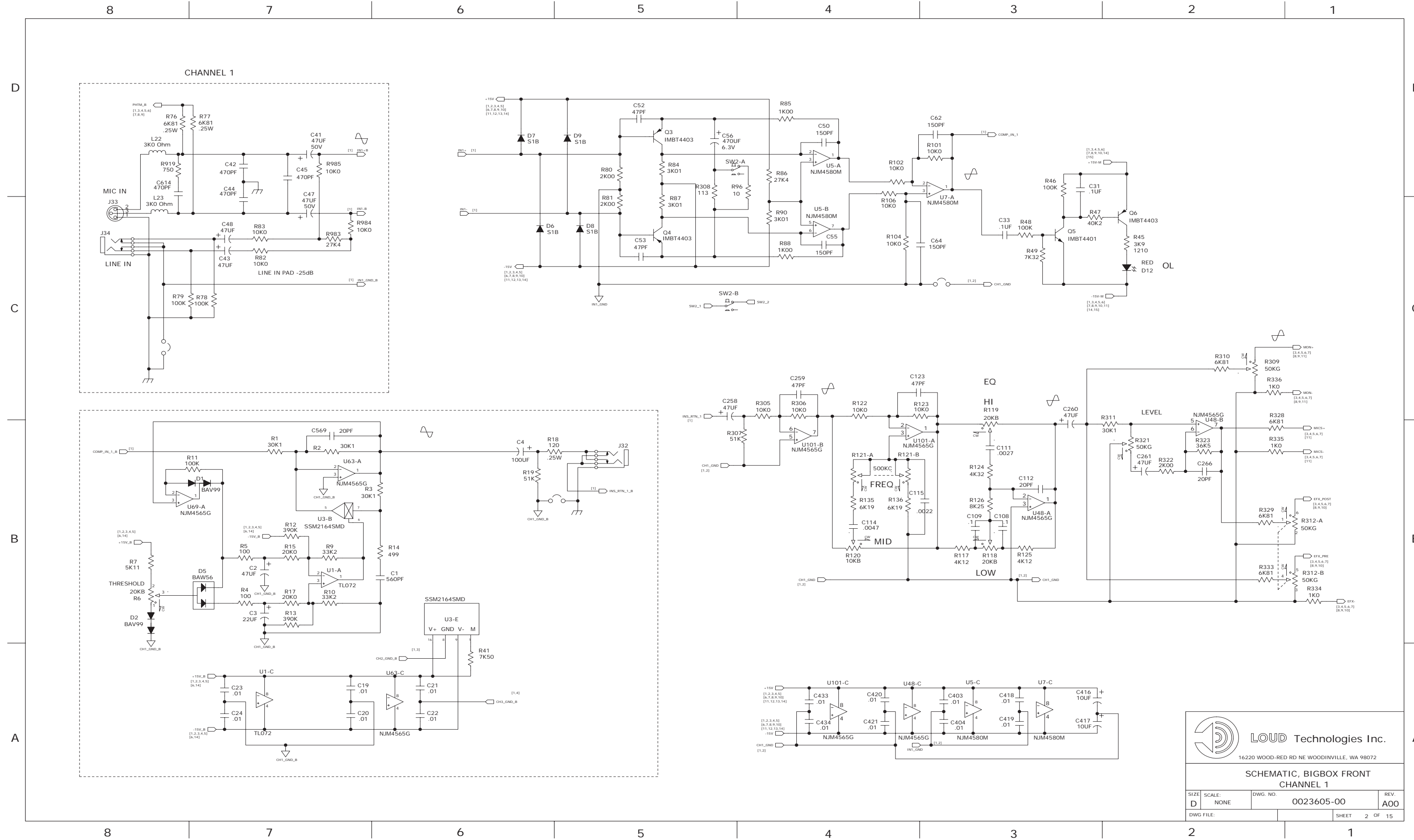
LOUD Technologies 0023604-00 Rev:A00

| | | | | |
|--|-----------------------------|------|---|---|
| <small>UNLESS OTHERWISE SPECIFIED DIMENSIONS ARE IN INCHES TOLERANCES ARE: FRACTIONS: DECIMALS: ANGLES: ± NA .xx ± NA ± NA .xxx ± NA</small> | APPROVALS | DATE | <p>Loud Technologies Inc. Woodinville, Wa.</p> <p>PCB ASSY, BIG BOX FRONT</p> | |
| | DRAWN: | | | <p>SIZE D SCALE: 3:2 DWG. NO. 0023605-00 REV. AXX</p> |
| | CHECKED: | | | |
| | NP ENGINEERING: | | | |
| MATERIAL: | MATERIAL: | | | |
| FINISH: | MANUFACTURING: | | | |
| | MFG ENGINEERING: | | | |
| DO NOT SCALE DRAWING | ISSUED: | | | |



© 2007 LOUD TECHNOLOGIES INC.
 ALL RIGHTS RESERVED
 THE INFORMATION CONTAINED HEREIN
 IS PROPRIETARY AND CONFIDENTIAL
 PROPERTY OF LOUD TECHNOLOGIES INC.

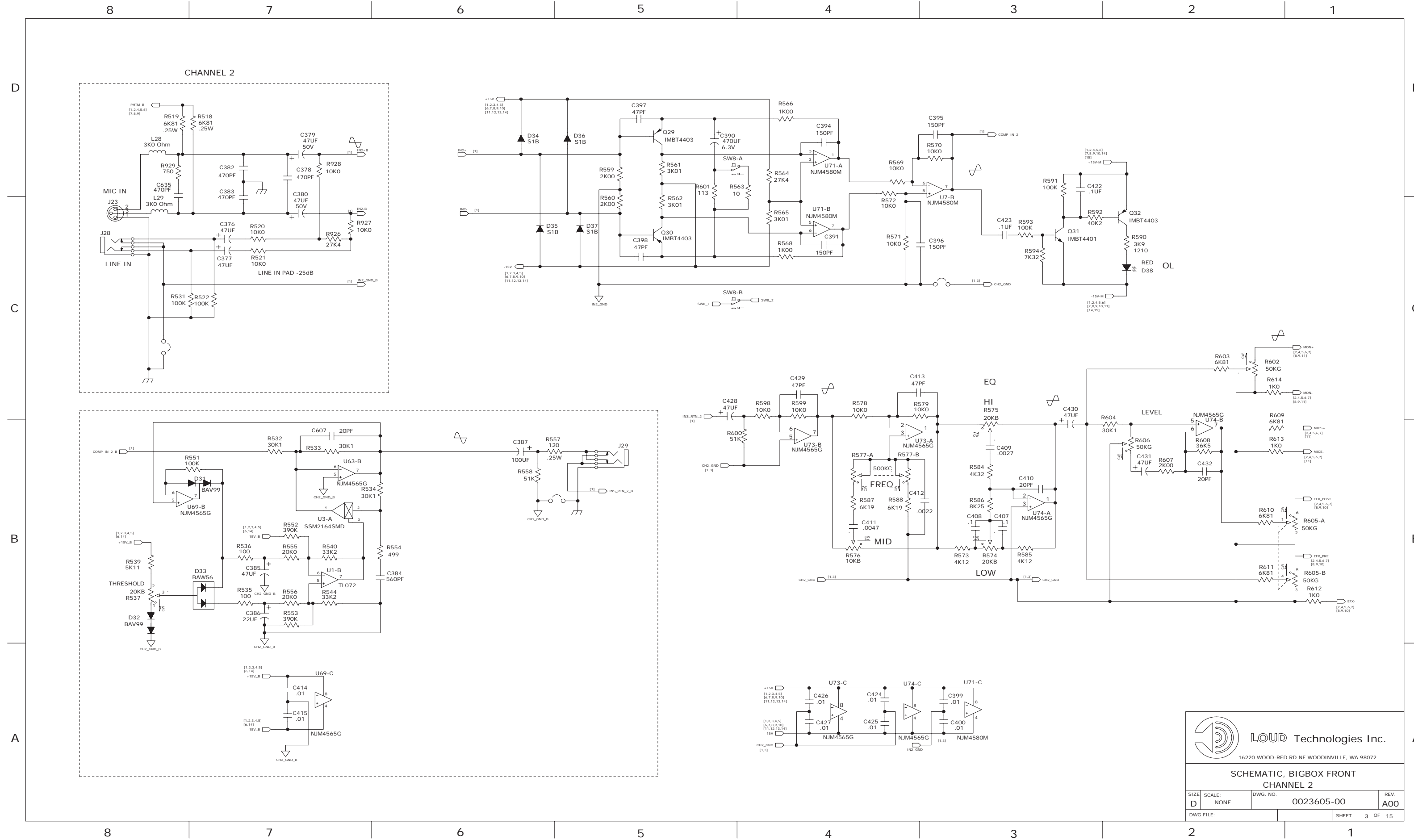
| APPROVALS | DATE | LOUD Technologies Inc. 16220 WOOD-RED RD NE WOODINVILLE, WA 98072 |
|-----------|----------|--|
| DRAWN: DB | 01-31-07 | |
| CHECKED: | | SCHEMATIC, BIGBOX FRONT INTERCONNECT |
| NP ENG: | | |
| MATERIAL: | | SIZE: D SCALE: NONE DWG. NO.: 0023605-00 REV. A00 |
| MFG: | | DWG. FILE: |
| MFG ENG: | | SHEET 1 OF 15 |
| ISSUED: | | |



LOUD Technologies Inc.
 16220 WOOD-RED RD NE WOODINVILLE, WA 98072

SCHEMATIC, BIGBOX FRONT CHANNEL 1

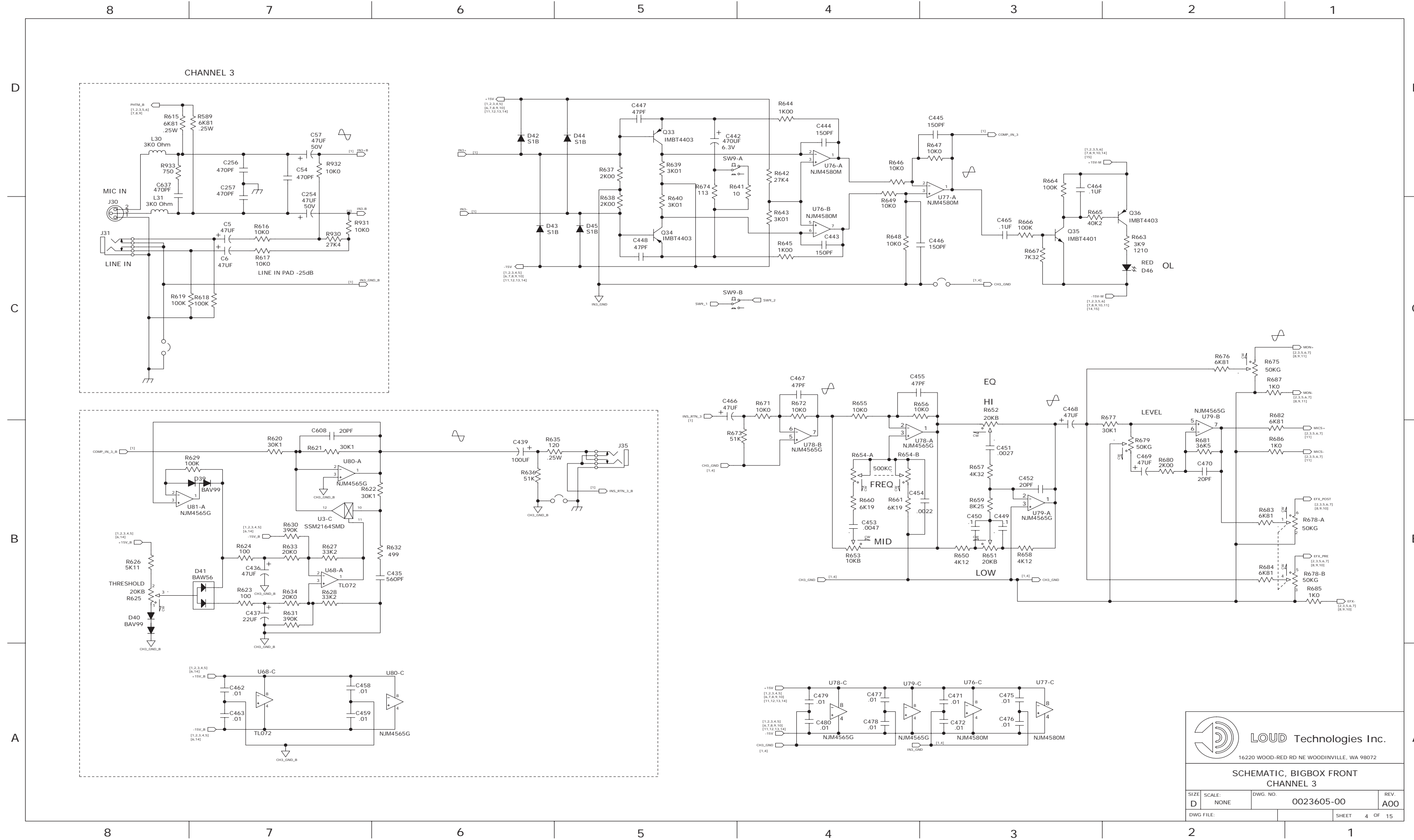
| | | | |
|-----------|-------------|---------------------|----------|
| SIZE: D | SCALE: NONE | DWG. NO: 0023605-00 | REV: A00 |
| DWG FILE: | | SHEET 2 OF 15 | |



LOUD Technologies Inc.
 16220 WOOD-RED RD NE WOODINVILLE, WA 98072

SCHEMATIC, BIGBOX FRONT CHANNEL 2

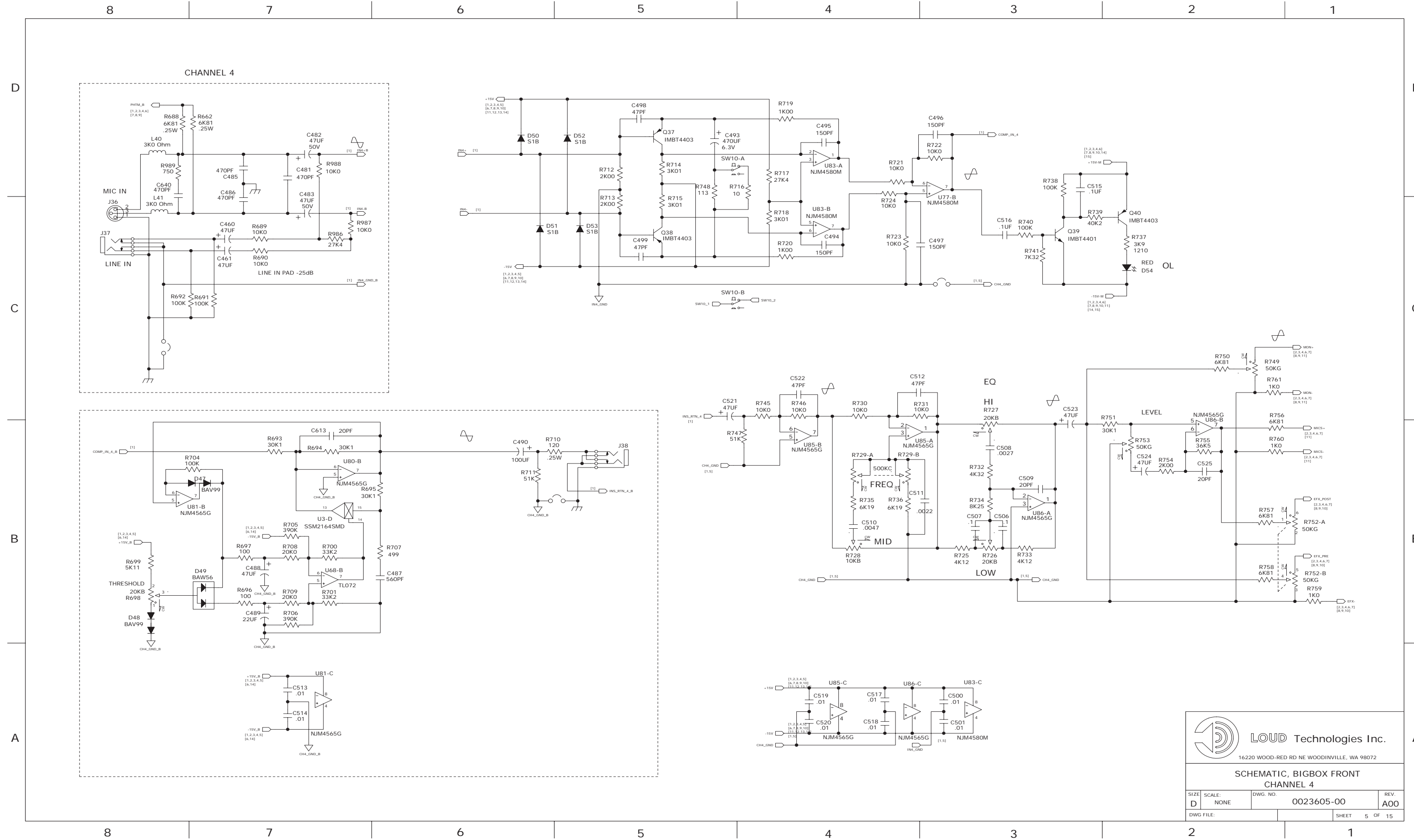
| | | | |
|-----------|-------------|---------------------|----------|
| SIZE: D | SCALE: NONE | DWG. NO: 0023605-00 | REV: A00 |
| DWG FILE: | | SHEET 3 OF 15 | |



LOUD Technologies Inc.
 16220 WOOD-RED RD NE WOODINVILLE, WA 98072

SCHEMATIC, BIGBOX FRONT CHANNEL 3

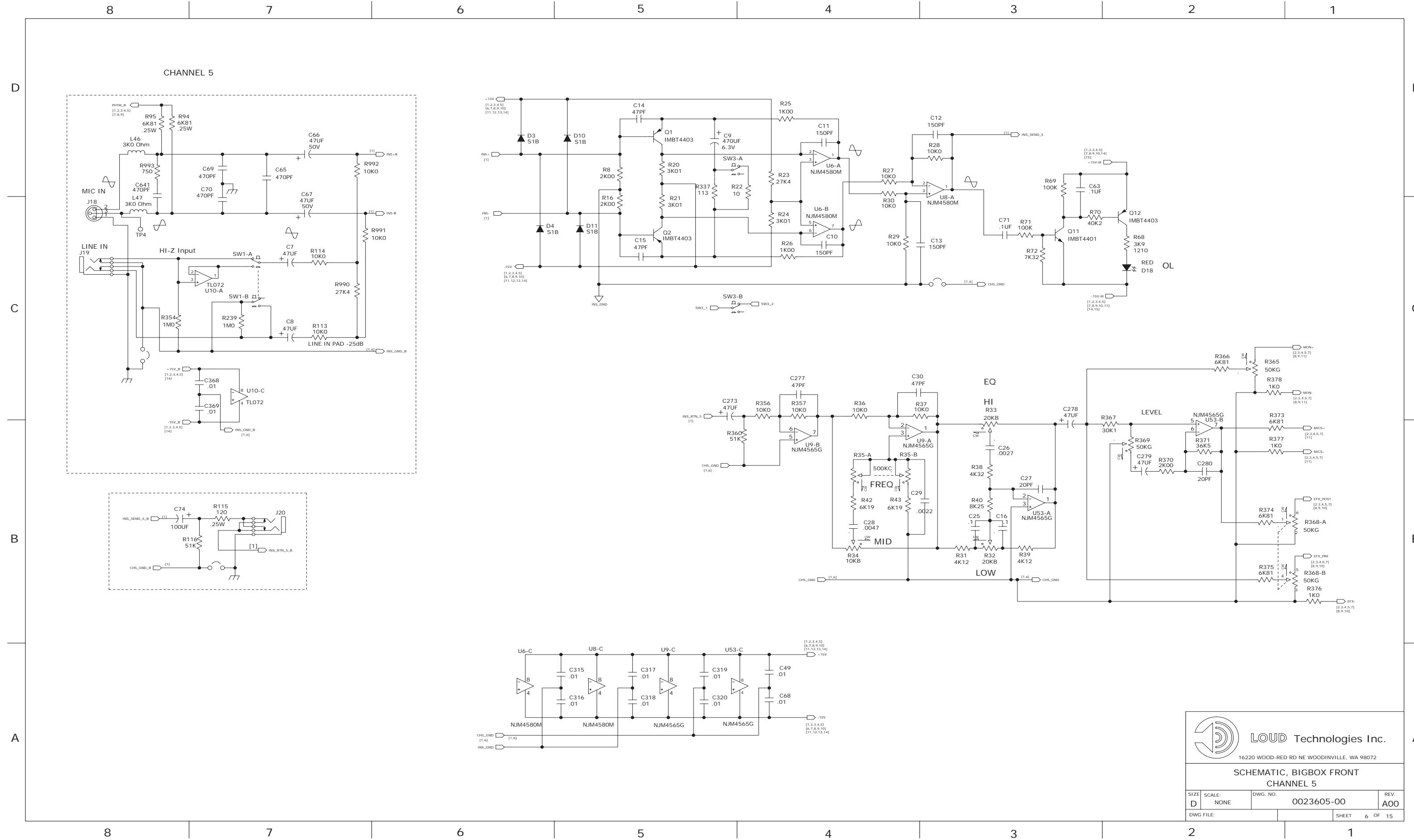
| | | | |
|-----------|-------------|---------------------|----------|
| SIZE: D | SCALE: NONE | DWG. NO: 0023605-00 | REV: A00 |
| DWG FILE: | | SHEET 4 OF 15 | |



LOUD Technologies Inc.
 16220 WOOD-RED RD NE WOODINVILLE, WA 98072

SCHEMATIC, BIGBOX FRONT CHANNEL 4

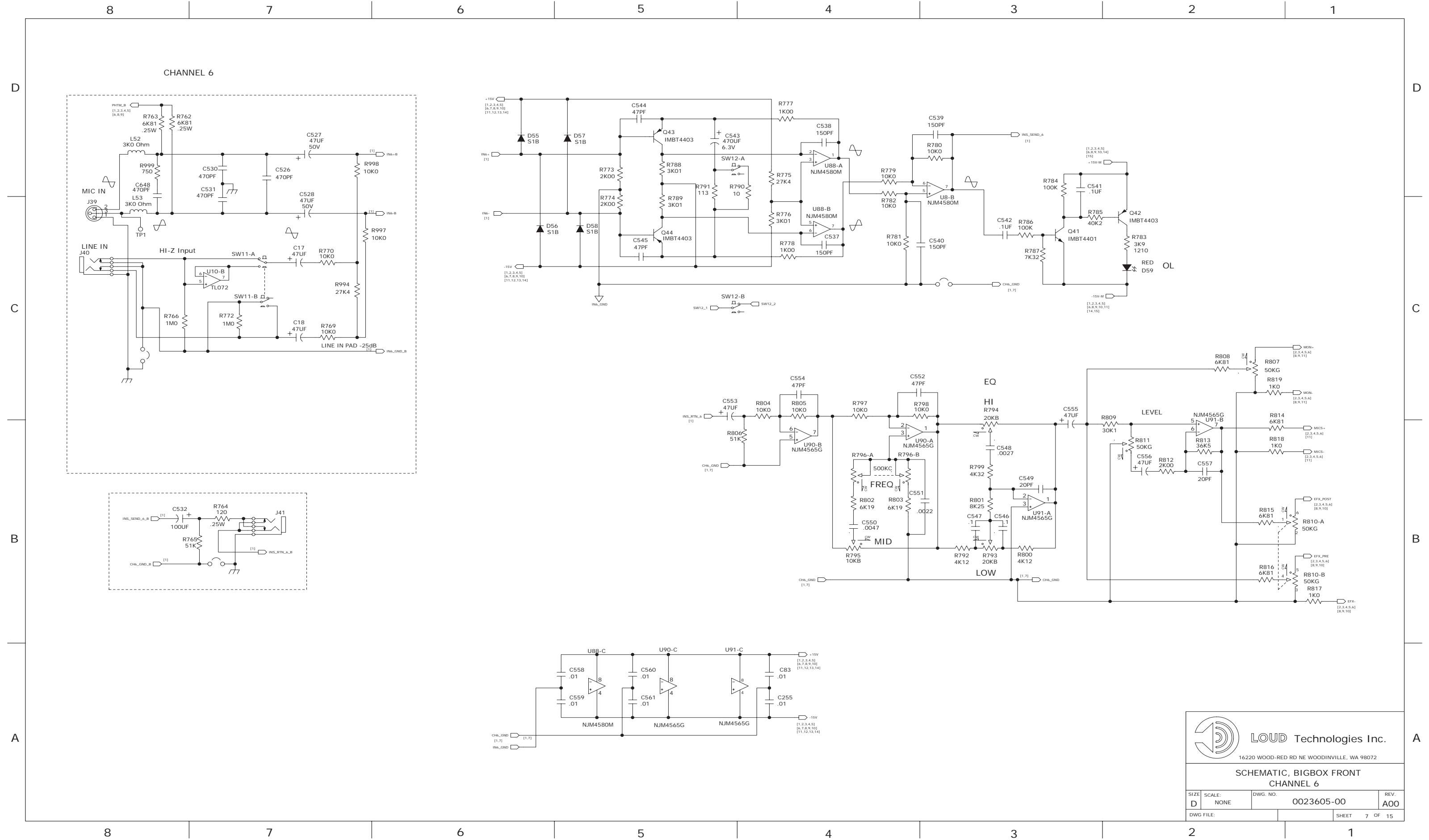
| | | | |
|------------|-------------|---------------------|----------|
| SIZE: D | SCALE: NONE | DWG. NO: 0023605-00 | REV: A00 |
| DWG. FILE: | | SHEET 5 OF 15 | |




LOUD Technologies Inc.
 16220 WOOD-RED RD NE WOODINVILLE, WA 98072

SCHEMATIC, BIGBOX FRONT CHANNEL 5

| | | | |
|-----------|-------------|---------------------|----------|
| SIZE: D | SCALE: NONE | DWG. NO: 0023605-00 | REV: A00 |
| DWG FILE: | | SHEET 6 OF 15 | |

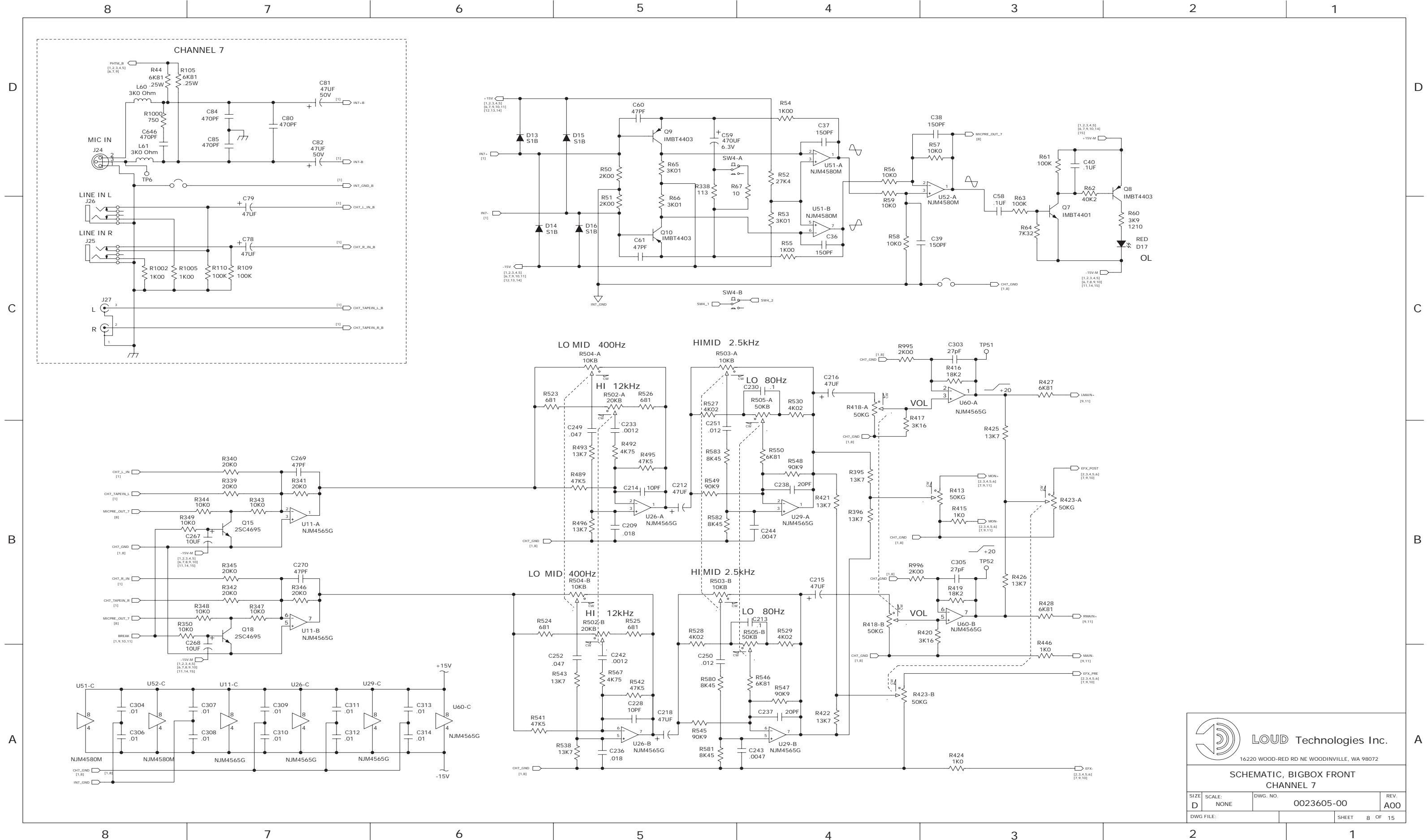





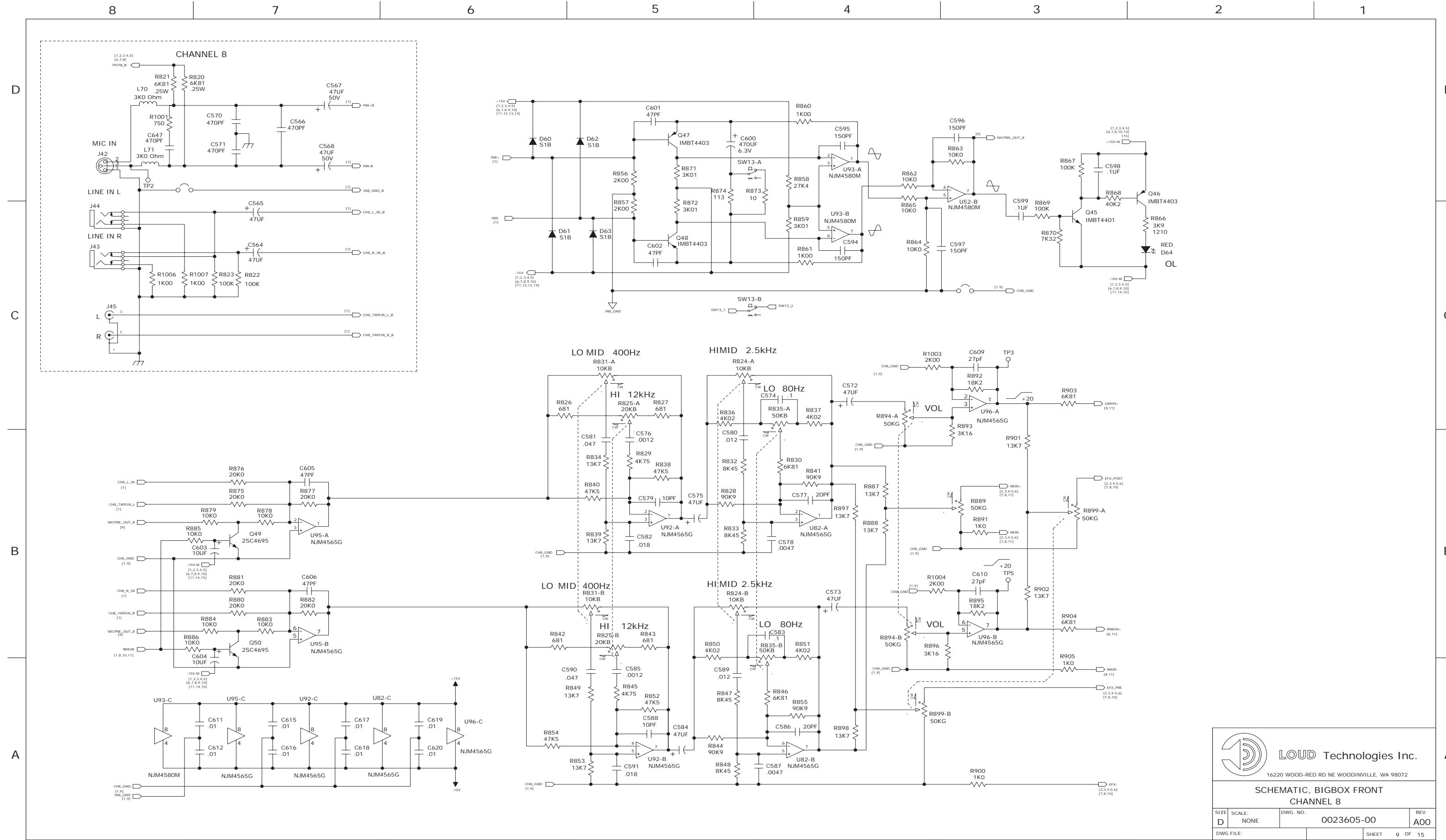
LOUD Technologies Inc.
16220 WOOD-RED RD NE WOODINVILLE, WA 98072

**SCHEMATIC, BIGBOX FRONT
CHANNEL 6**

| | | | |
|------------------|---------------|-------------------------------|--------------------|
| SIZE D | SCALE NONE | DWG. NO. 0023605-00 | REV. A00 |
| DWG. FILE: | | SHEET 7 OF 15 | |



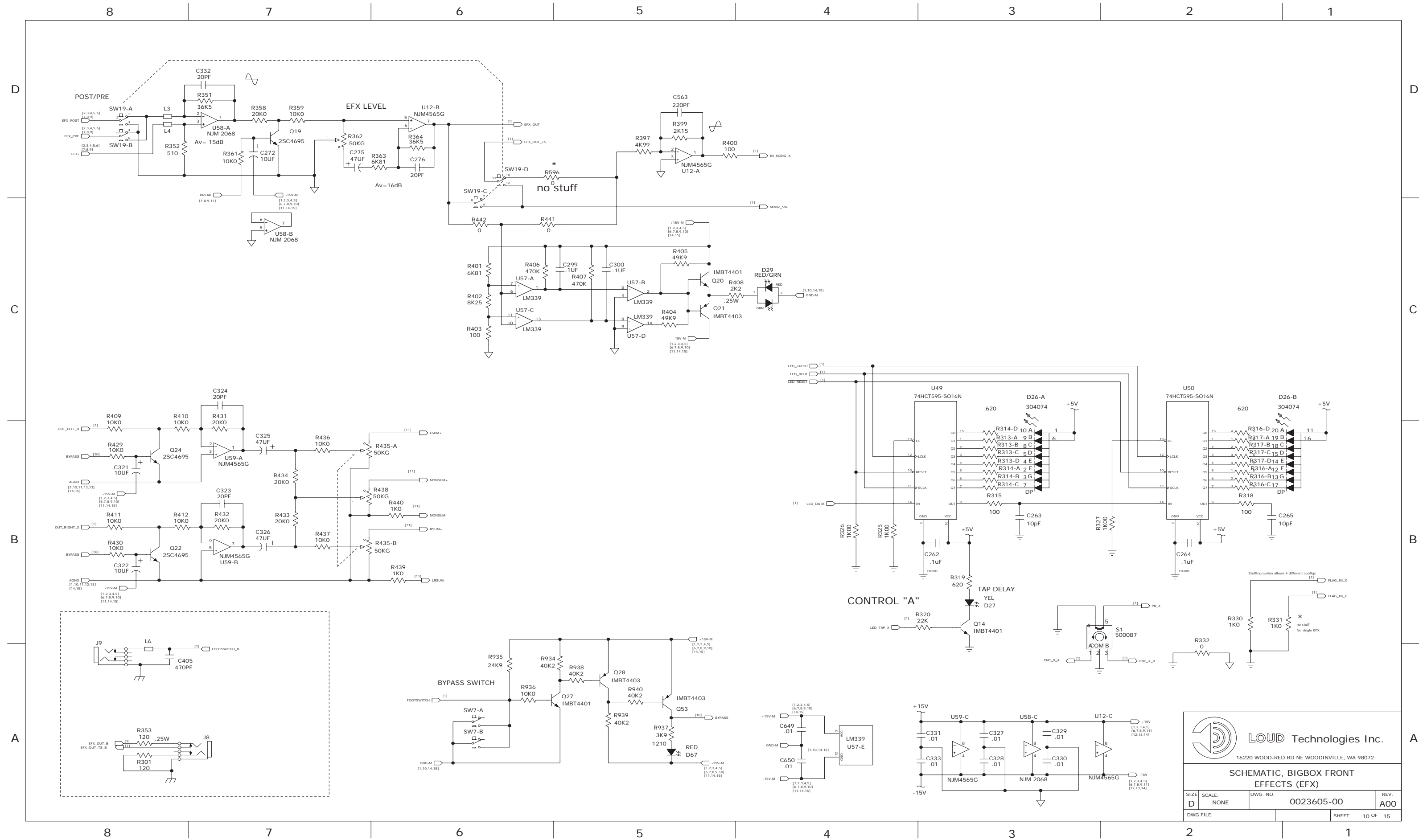
| | | | |
|---|--|--------------------------------------|--|
|  LOUD Technologies Inc. 16220 WOOD-RED RD NE WOODINVILLE, WA 98072 | | SCHEMATIC, BIGBOX FRONT CHANNEL 7 | |
| | | | |



LOUD Technologies Inc.
 16220 WOOD-RED RD NE WOODINVILLE, WA 98072

SCHEMATIC, BIGBOX FRONT CHANNEL 8

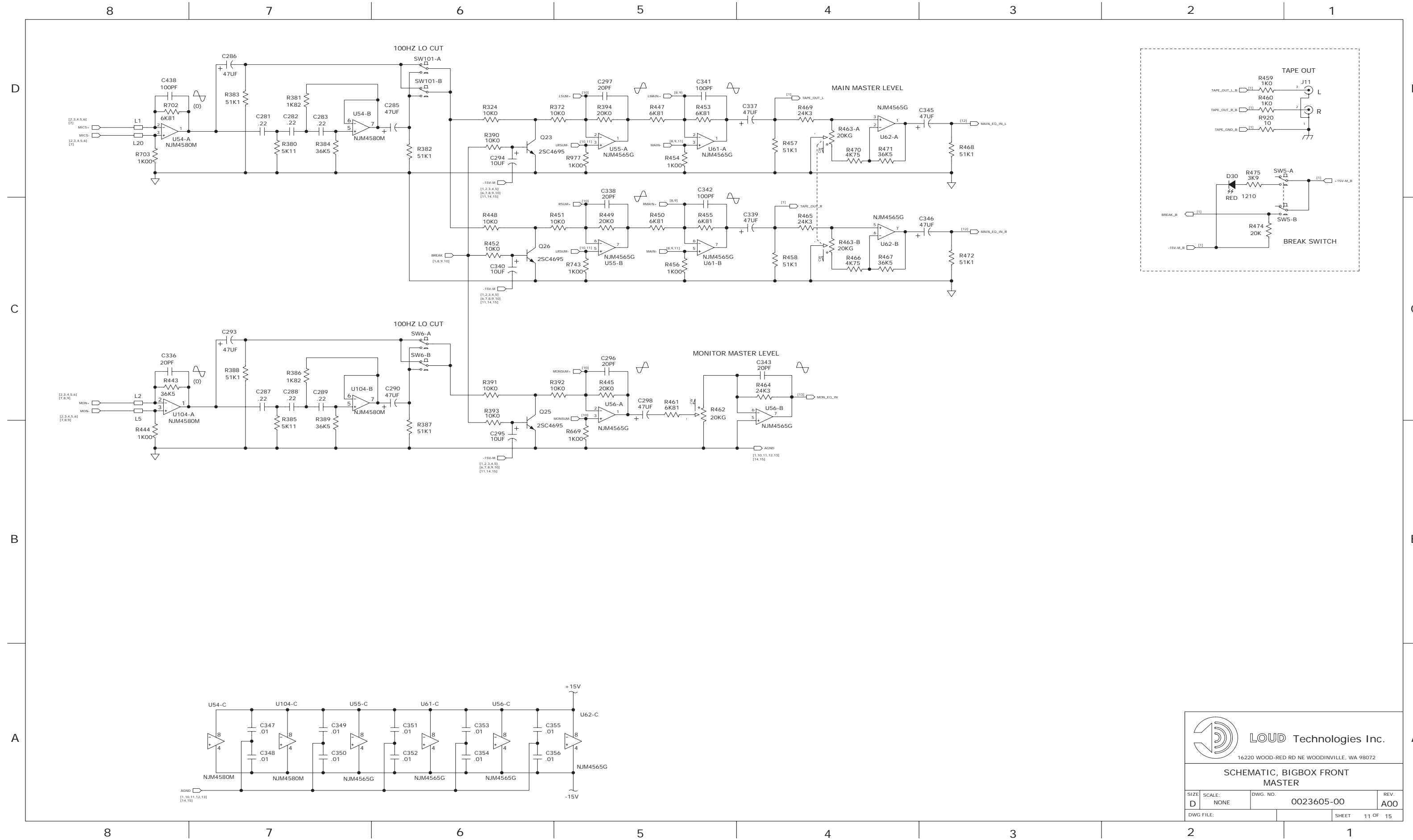
| | | | |
|------------|-------------|---------------------|----------|
| SIZE: D | SCALE: NONE | DWG. NO: 0023605-00 | REV: A00 |
| DWG. FILE: | | SHEET 9 OF 15 | |



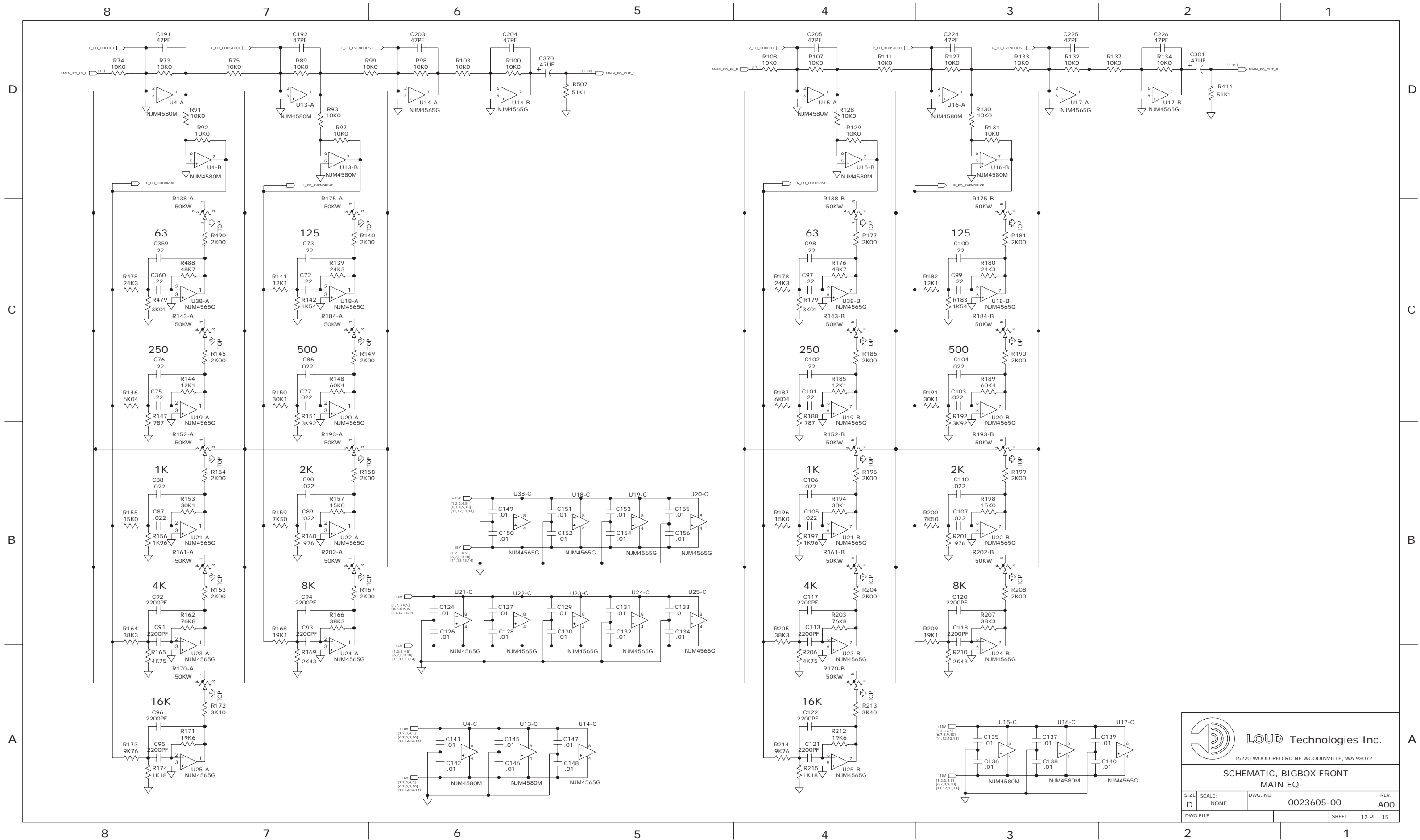
LOUD Technologies Inc.
 16220 WOOD-RED RD NE WOODINVILLE, WA 98072

SCHEMATIC, BIGBOX FRONT EFFECTS (EFX)

| | | | |
|-----------|-------------|---------------------|----------|
| SIZE: D | SCALE: NONE | DWG. NO: 0023605-00 | REV: A00 |
| DWG FILE: | | SHEET 10 OF 15 | |



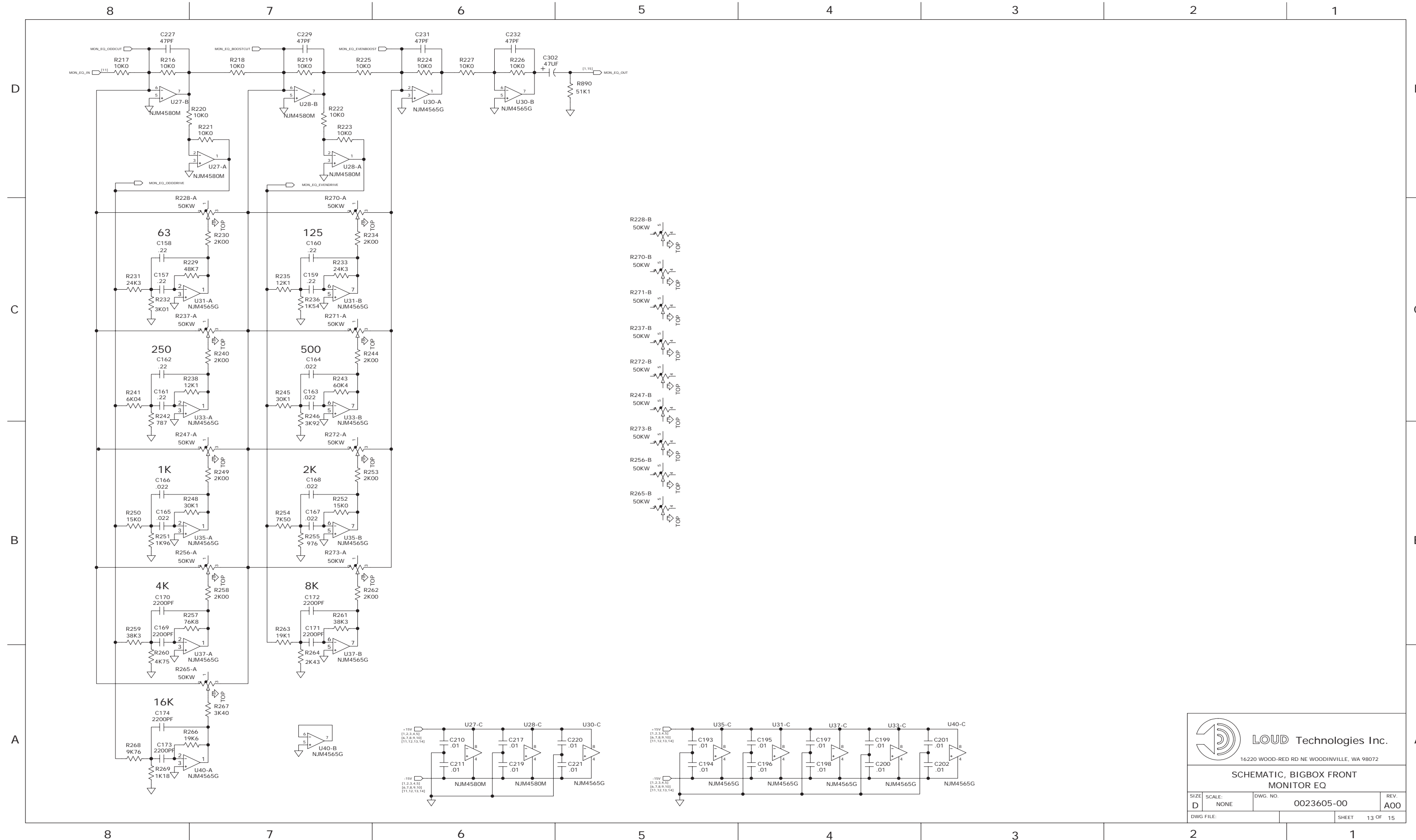
| | | | |
|-----------|-------------|--|----------|
| | | LOUD Technologies Inc. 16220 WOOD-RED RD NE WOODINVILLE, WA 98072 | |
| | | SCHEMATIC, BIGBOX FRONT MASTER | |
| SIZE: D | SCALE: NONE | DWG. NO.: 0023605-00 | REV. A00 |
| DWG FILE: | | SHEET 11 OF 15 | |



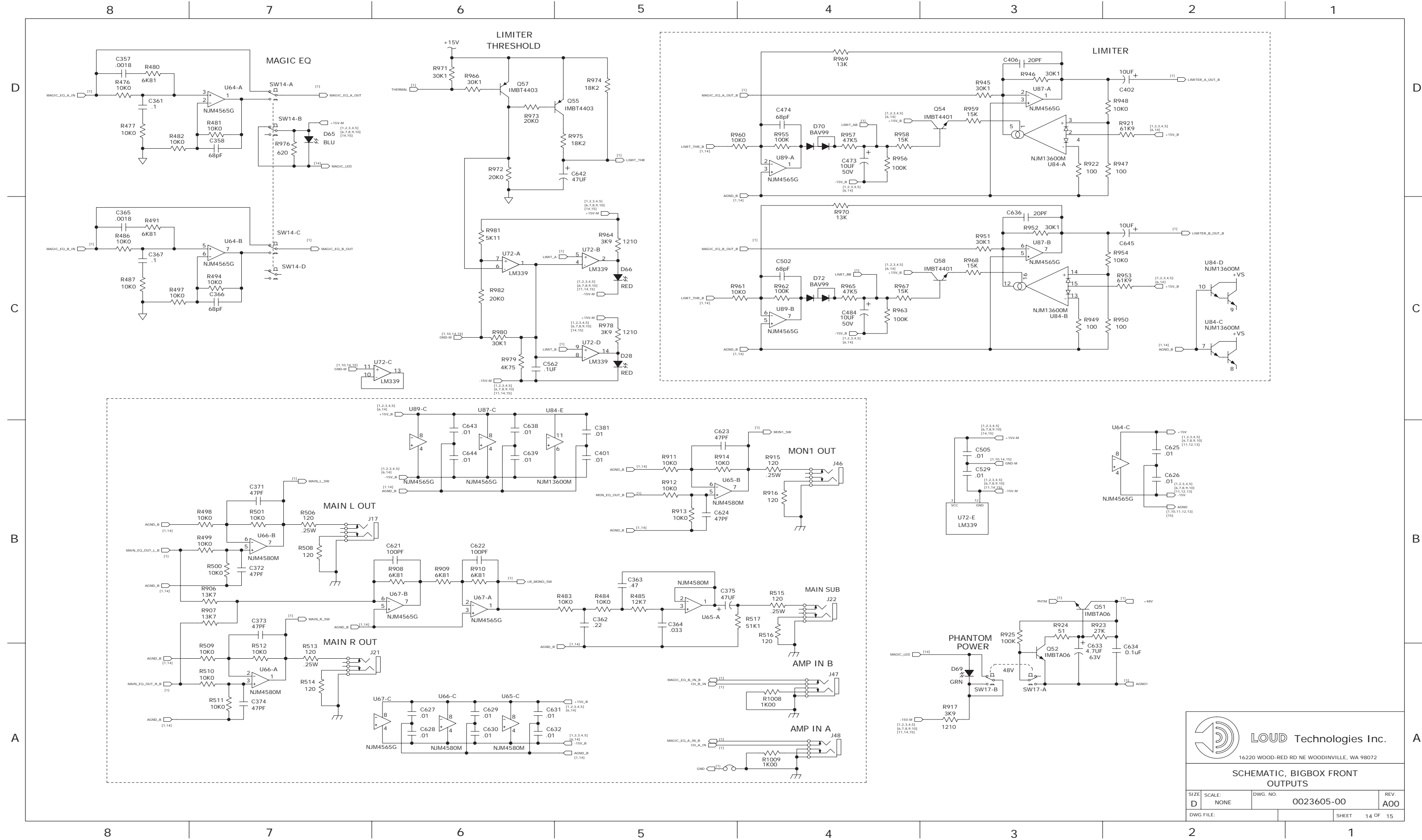
LOUD Technologies Inc.
 16220 WOOD-RED RD NE WOODINVILLE, WA 98072

**SCHEMATIC, BIGBOX FRONT
 MAIN EQ**

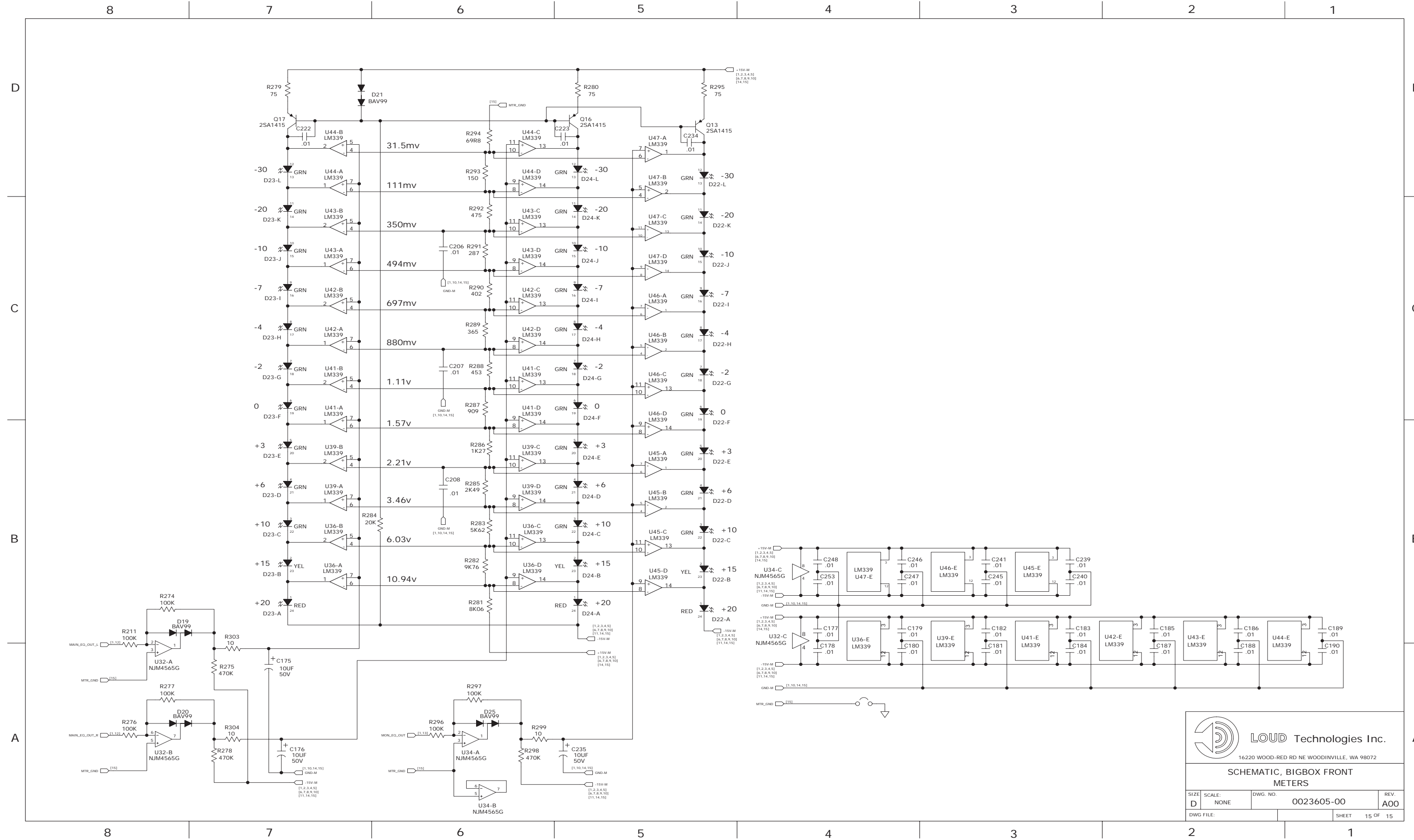
| | | | |
|------------|-------------|---------------------|----------|
| SIZE: D | SCALE: NONE | DWG. NO: 0023605-00 | REV: A00 |
| DWG. FILE: | | SHEET 12 OF 15 | |



| | | | |
|------------|-------------|--|-----------|
| | | 16220 WOOD-RED RD NE WOODINVILLE, WA 98072 | |
| | | SCHEMATIC, BIGBOX FRONT MONITOR EQ | |
| SIZE: D | SCALE: NONE | DWG. NO.: 0023605-00 | REV.: A00 |
| DWG. FILE: | | SHEET 13 OF 15 | |



| | | | |
|-----------|---------------|--|-------------|
| | | LOUD Technologies Inc. 16220 WOOD-RED RD NE WOODINVILLE, WA 98072 | |
| | | SCHEMATIC, BIGBOX FRONT OUTPUTS | |
| SIZE D | SCALE NONE | DWG. NO. 0023605-00 | REV. A00 |
| DWG FILE: | | SHEET 14 OF 15 | |



LOUD Technologies Inc.
 16220 WOOD-RED RD NE WOODINVILLE, WA 98072

SCHEMATIC, BIGBOX FRONT METERS

| | | | |
|-----------|-------------|---------------------|----------|
| SIZE: D | SCALE: NONE | DWG. NO: 0023605-00 | REV: A00 |
| DWG FILE: | | SHEET 15 OF 15 | |