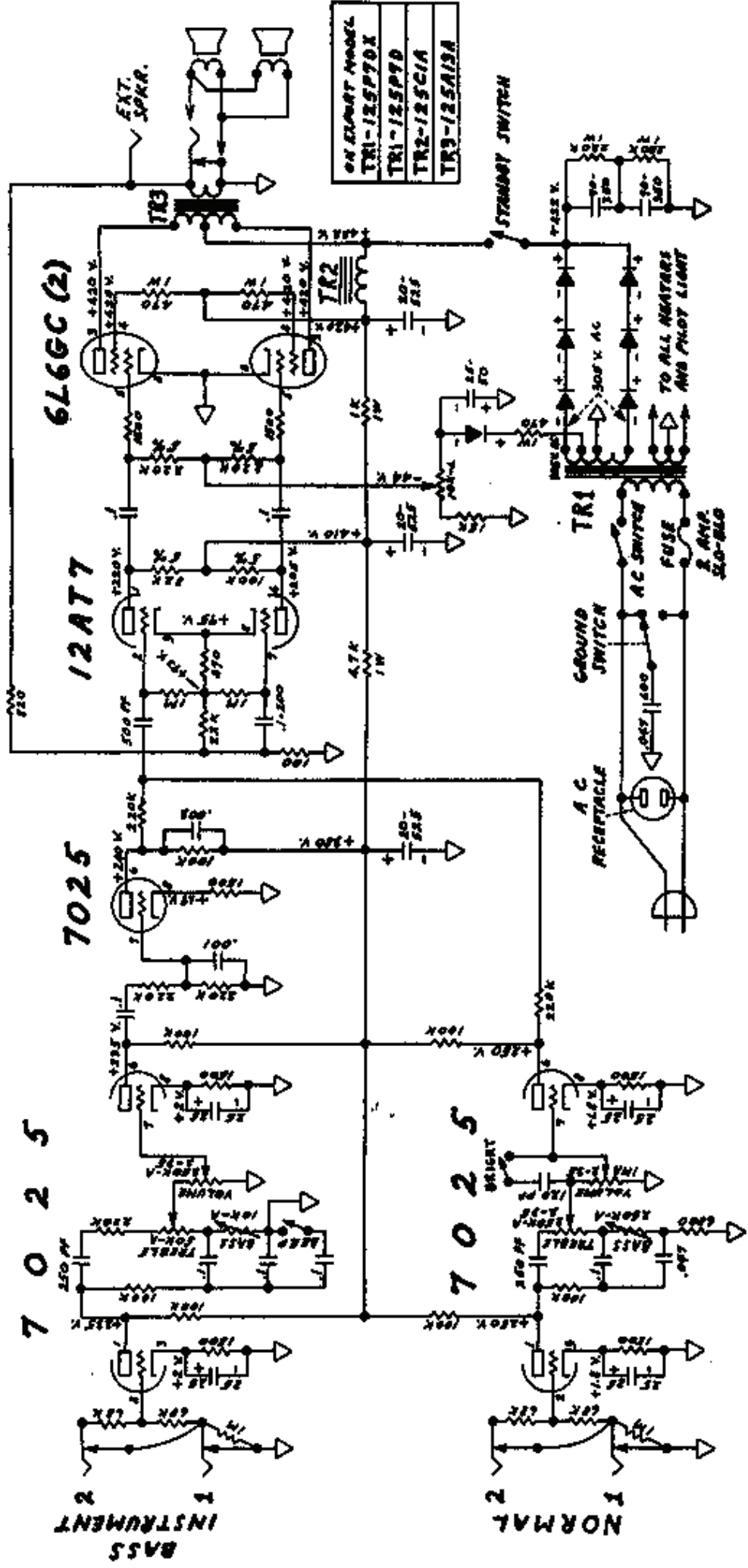


FENDER MODEL BASSMAN-AMP A88G4^{1/2} NOTICE

- 1- VOLTAGES ARE TO GROUNDS WITH ELECTRONIC MULTIMETER. VALUES SHOWN ± OR - 2.0 %
- 2- ALL RESISTORS 1/2 WATT, 5% TOLERANCE IF NOT SPECIFIED.
- 3- ALL CAPACITORS AT LEAST 400 VOLT RATING IF NOT SPECIFIED.

THIS PRODUCT MANUFACTURED UNDER ONE OR MORE OF THE FOLLOWING U.S. PATENTS: 2,877,000, 2,973,881, 1,928,697 AND PATENTS PENDING.

H-FD



7 0 2 5

7 0 2 5

BASS INSTRUMENT

NORMAL